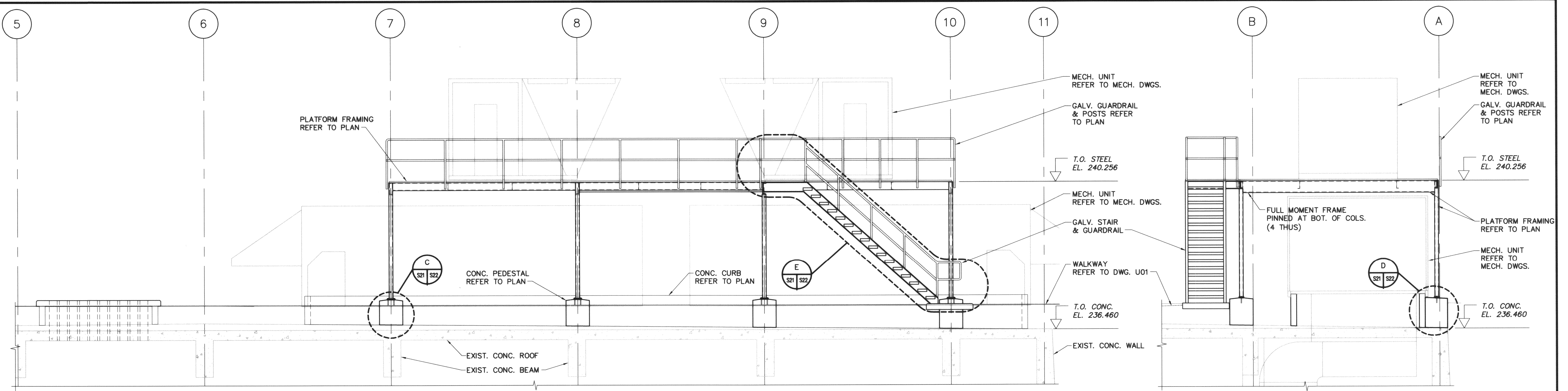
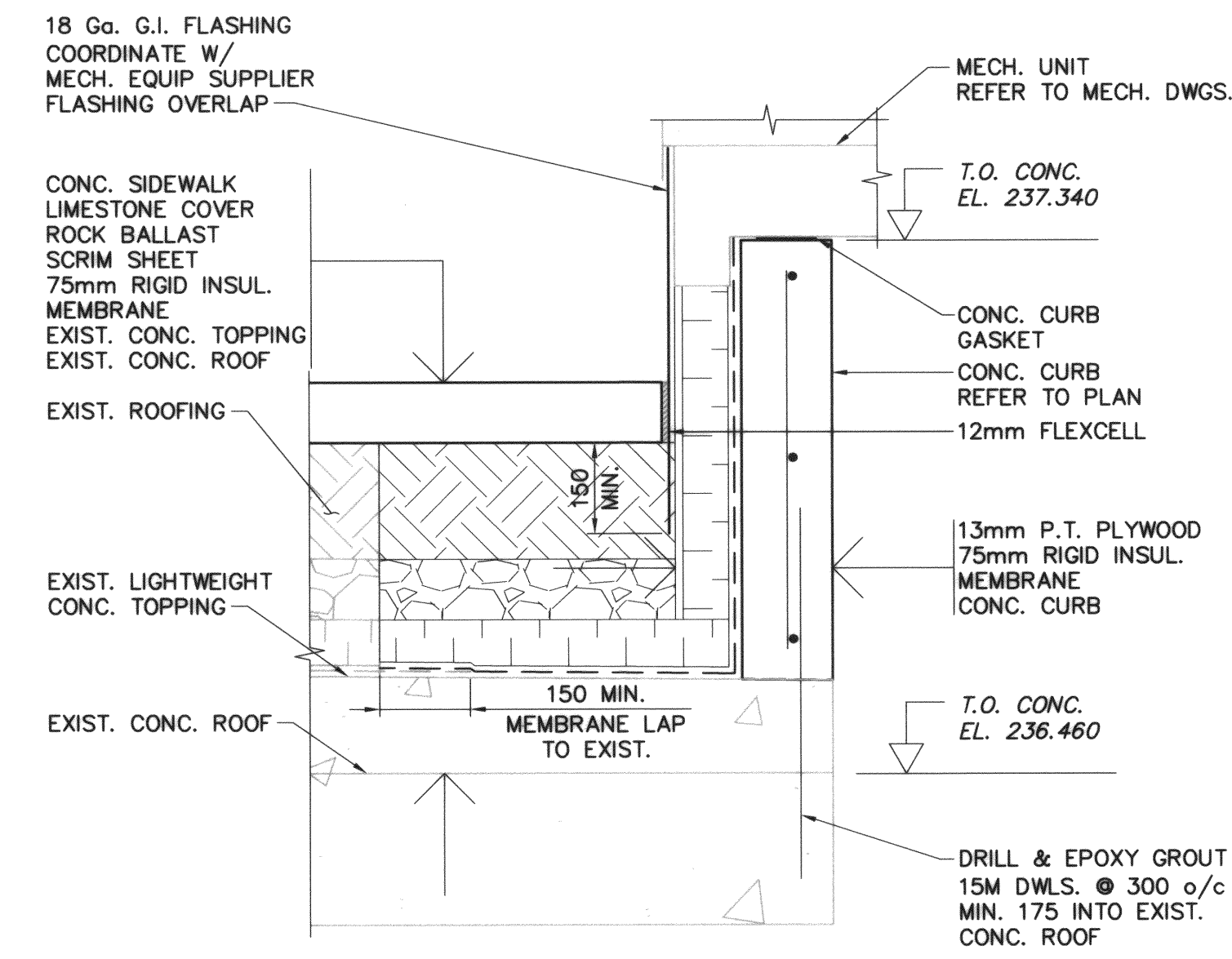


SHEET: CON-11-1 (1/2000)

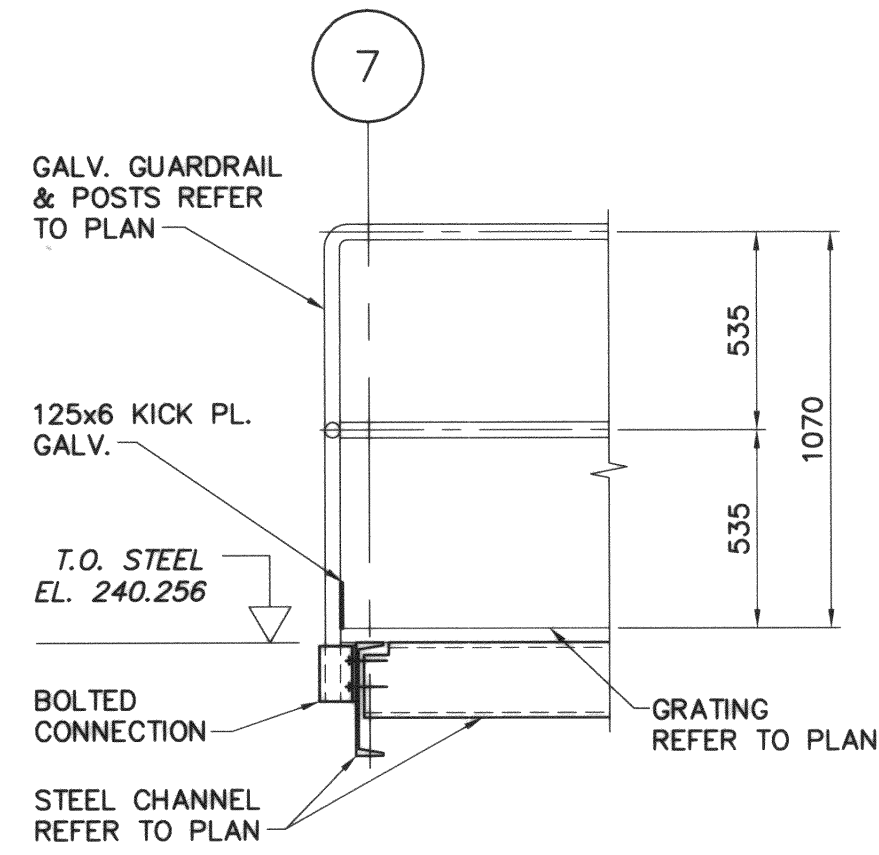


1 SECTION
SCALE 1:50

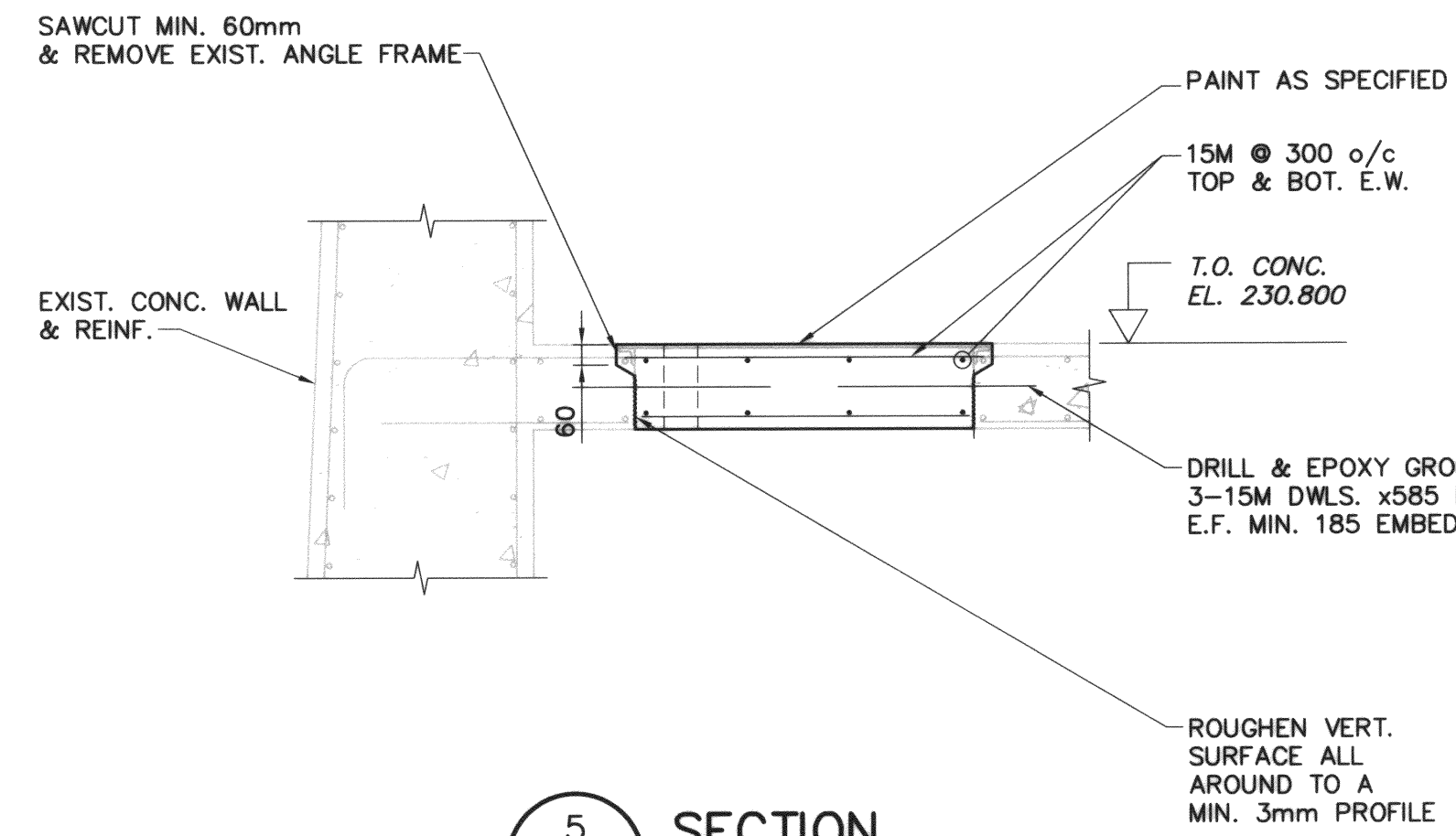
2 SECTION
SCALE 1:50



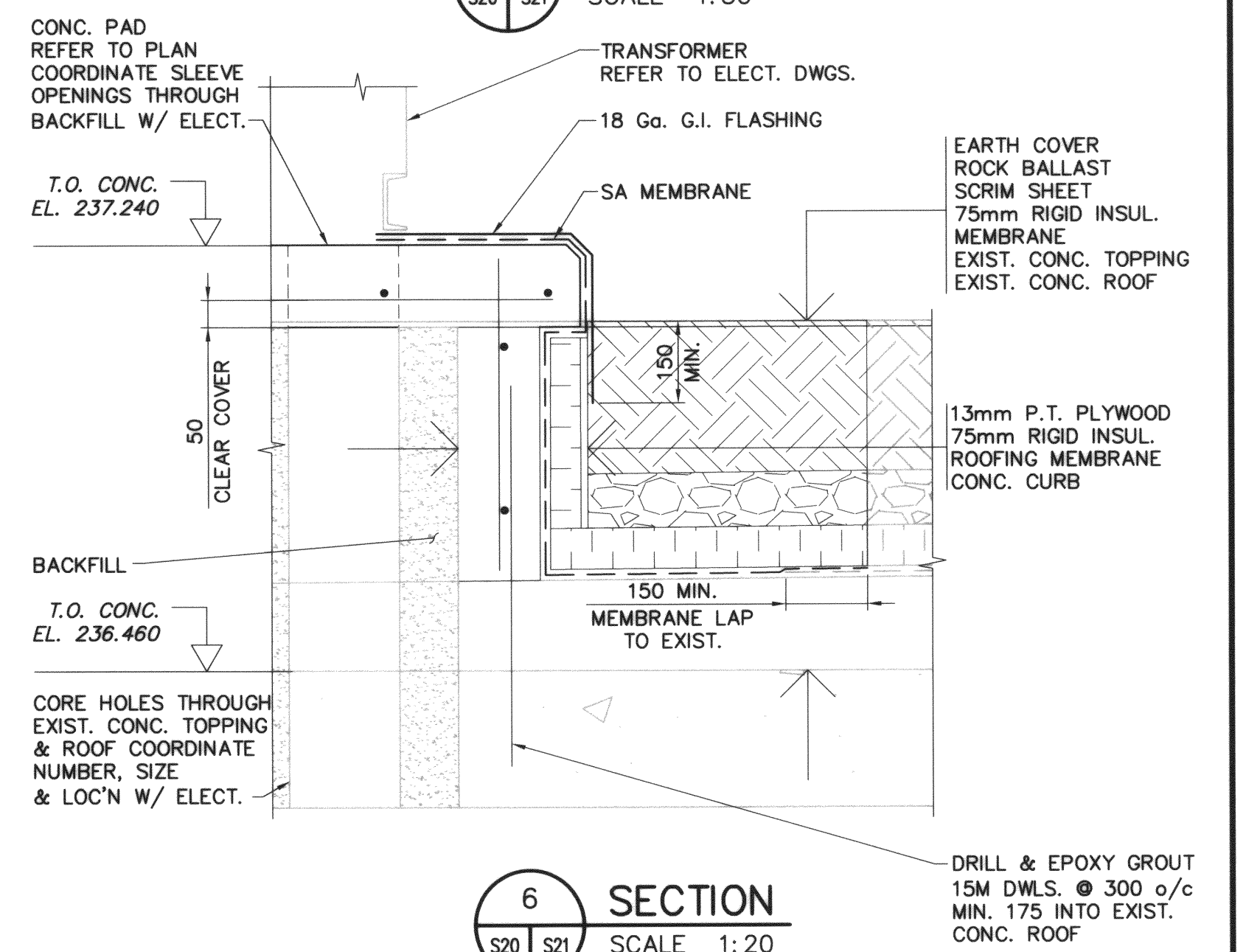
3 SECTION
SCALE 1:10



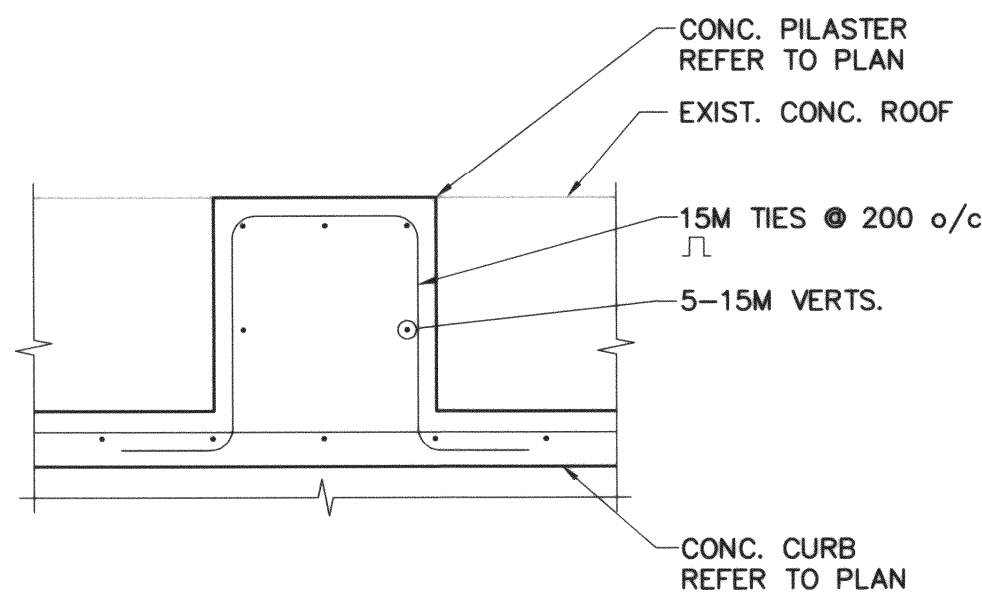
4 SECTION
SCALE 1:20



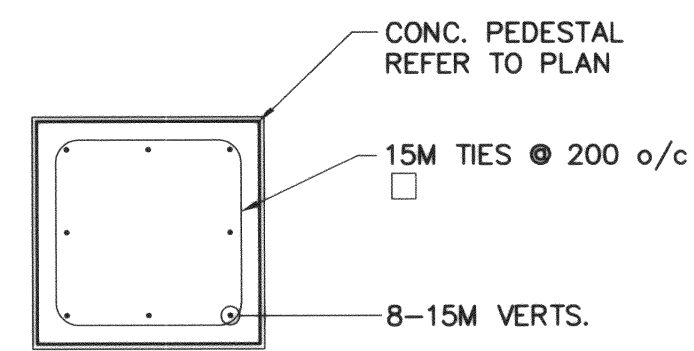
5 SECTION
SCALE 1:20



6 SECTION
SCALE 1:20



A DETAIL
SCALE 1:20



B DETAIL
SCALE 1:20

- DRAWING NOTES:**
- ENSURE NEW ROOFING IS COMPATIBLE WITH THE EXISTING ROOFING. REVIEW WITH CONTRACT ADMINISTRATOR PRIOR TO NEW ROOFING INSTALLATION.
 - WHEN LAPPING NEW ROOF WITH EXISTING ENSURE THE AREA OF EXISTING ROOFING IS SOUND MATERIAL AND WILL ACHIEVE A CONTINUOUS WATERPROOF CONNECTION. REVIEW WITH CONTRACT ADMINISTRATOR.

APEGM
Certificate of Authorization
Earth Tech Canada Inc.
No. 730 Expiry: April 30, 2004

B.M. ELEV.			
DESIGNED BY	MK	CHECKED BY	
DRAWN BY	C.T.	APPROVED BY	D.T.
HOR. SCALE:	AS SHOWN	RELEASED FOR CONSTRUCTION BY:	
VERTICAL SCALE:			
ISSUED FOR TENDER	03/12/12	C.T.	
NO. REVISIONS	DATE	DATE	2003/11/13

ENGINEER'S SEAL
PROVINCE OF MANITOBA
M. KLASSEN
Dec 16/03
REGISTERED PROFESSIONAL ENGINEER

THE CITY OF WINNIPEG
Winnipeg WATER AND WASTE DEPARTMENT

DEACON ULTRAVIOLET (UV) LIGHT DISINFECTION PROJECT

STRUCTURAL - HVAC UPGRADE BUILDING SECTIONS

CITY FILE NUMBER
SHEET 9 OF 10
CITY DRAWING NUMBER
D-8396

CONSULTANT DRAWING NO.
63672-C5-S21