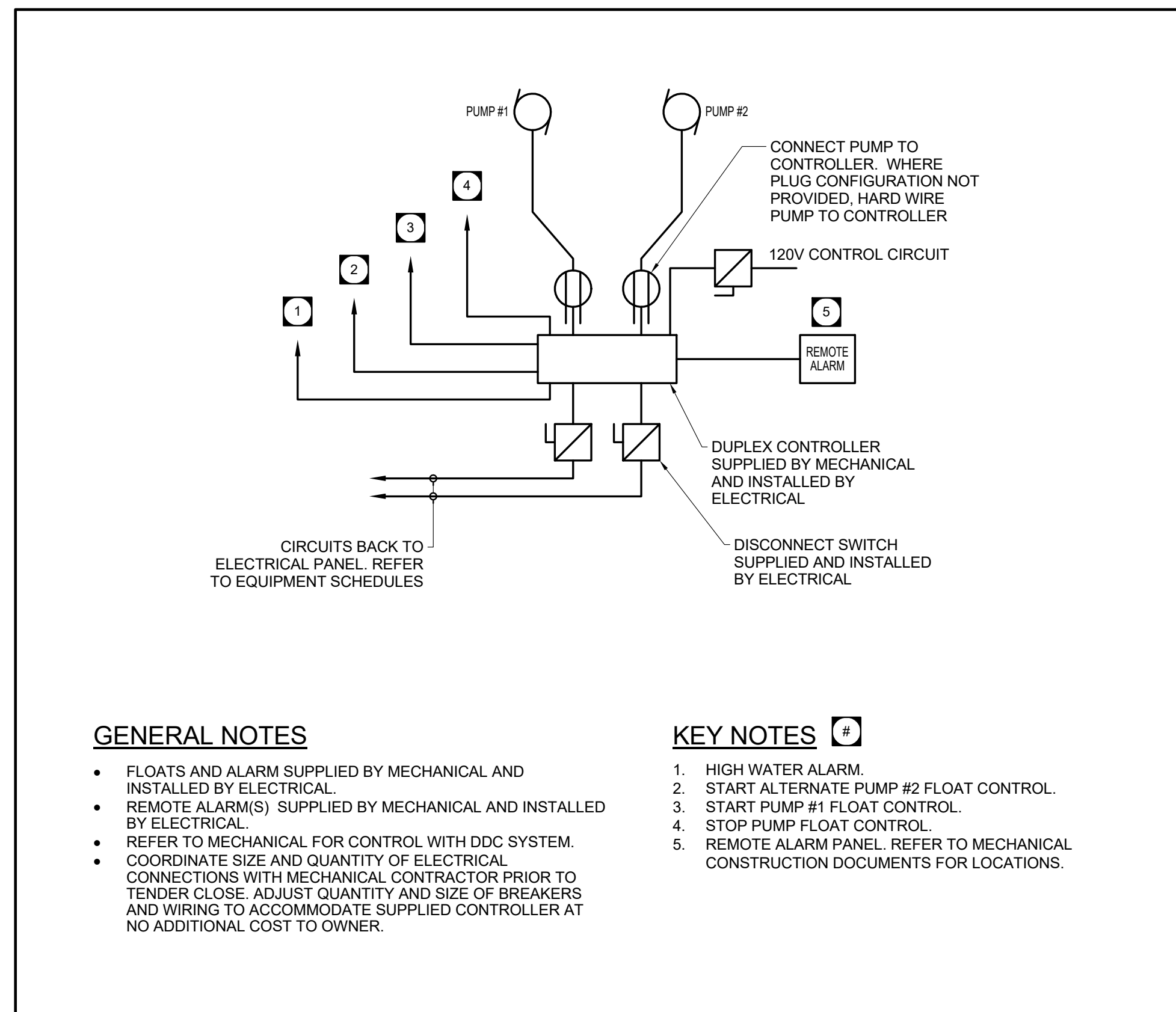


PANELBOARD: CR													
LOCATION: MOUNTING: SURFACE NEMA1 MAIN DEVICE: 200 A MLO BUS AMPS: 225 AMPS				VOLTAGE: 120/208 V, 3 @ 4 W A.I.C. RATING: 10,000 AMPS SYMMETRICAL SPECIAL:									
LOAD DESCRIPTION	BKR	P	CCT#	A	B	C	CCT#	P	BKR	LOAD DESCRIPTION			
EXIT SIGN	15 A	1	CR-1	0.0	1.2				CR-2	1	25 A	SUMP PUMP 1	
SUMP PUMP 3	25 A	1	CR-3			1.2	1.2		CR-4	1	25 A	SUMP PUMP 2	
SUMP PUMP 5	25 A	1	CR-5					1.2	1.2	CR-6	1	25 A	SUMP PUMP 6
SUMP PUMP 4	25 A	1	CR-7	1.2	0.0				CR-8	1	15 A	MOTORISED DAMPER	
MOTORISED DAMPERS	15 A	1	CR-9			0.0	0.2		CR-10	1	15 A	BU-CR	
DEHUMIDIFICATION UNIT	70 A	3	CR-11					5.7	1.2	CR-12	1	15 A	LITE'S CRAWLSPACE 1
			CR-13	5.7	0.1			5.7	0.1	CR-14	2	15 A	EXHAUST FAN
			CR-15							CR-16	2	40 A	CONDENSING UNIT 1
CIRCULATION FAN 1	15 A	3	CR-17	0.4	3.1			0.4	0.4	CR-18	2	40 A	CONDENSING UNIT 1
			CR-19							CR-20	2	40 A	CONDENSING UNIT 1
			CR-21							CR-22	2	40 A	CONDENSING UNIT 1
SUMP PUMP 7	25 A	1	CR-23					1.2	0.4	CR-24	3	15 A	CIRCULATION FAN 2
SUMP PUMP 8	25 A	1	CR-25	1.2	0.4					CR-26	3	15 A	CIRCULATION FAN 2
SUMP PUMP 9	25 A	1	CR-27			1.2	1.2			CR-28	1	25 A	SUMP PUMP 10
			CR-29							CR-30	1	25 A	SUMP PUMP 10
			CR-31							CR-32	1	25 A	SUMP PUMP 10
			CR-33							CR-34	1	25 A	SUMP PUMP 10
Spare	15 A	1	CR-35					0.0	0.0	CR-36	1	20 A	Spare
Spare	15 A	1	CR-37	0.0	0.0					CR-38	1	20 A	Spare
Spare	15 A	1	CR-39			0.0	0.0			CR-40	1	20 A	Spare
Spare	15 A	1	CR-41					0.0	0.0	CR-42	1	20 A	Spare
TOTAL LOAD:				13 kVA	12 kVA	14 kVA							
TOTAL AMPS:				113 A	96 A	121 A							
LOAD CLASSIFICATION				CONNECTED	DEMAND	ESTIMATED	PANEL TOTALS						
LITES				1433 VA	100.00%	1433 VA	CONNECTED LOAD: 39174 VA						
SPEC				37881 VA	100.00%	37881 VA	ESTIMATED DEMAND: 39174 VA						
							CONNECTED CURRENT: 109 A						
							EST. DEMAND CURRENT: 109 A						

NOTES:



GENERAL NOTES

- FLOATS AND ALARM SUPPLIED BY MECHANICAL AND INSTALLED BY ELECTRICAL.
- REMOTE ALARM(S) SUPPLIED BY MECHANICAL AND INSTALLED BY ELECTRICAL.
- REFER TO MECHANICAL FOR CONTROL WITH DDC SYSTEM.
- COORDINATE SIZE AND QUANTITY OF ELECTRICAL CONNECTIONS WITH MECHANICAL CONTRACTOR PRIOR TO TENDER CLOSE. ADJUST QUANTITY AND SIZE OF BREAKERS AND WIRING TO ACCOMMODATE SUPPLIED CONTROLLER AT NO ADDITIONAL COST TO OWNER.

KEY NOTES

- HIGH WATER ALARM.
- START ALTERNATE PUMP #2 FLOAT CONTROL.
- START PUMP #1 FLOAT CONTROL.
- STOP PUMP FLOAT CONTROL.
- REMOTE ALARM PANEL. REFER TO MECHANICAL CONSTRUCTION DOCUMENTS FOR LOCATIONS.

TYPICAL DUPLEX SUMP PUMP WIRING DETAIL

MECHANICAL EQUIPMENT CONNECTION SCHEDULE															
NO.	DESCRIPTION	LOAD			VOLT	PH	CIRCUIT BREAKER	CONDUIT & WIRE SIZE	STARTER		CONTROL DEVICE		DISCONNECT		Notes
		HP	A	W					COMPONENT	FURN. INST. WIRED	COMPONENT	FURN. INST. WIRED	COMPONENT	FURN. INST. WIRED	
CU-1	EXTERNAL CONDENSING UNIT		30 A		208 V	1	40A2P	21(3/4")C-2#8, #10 BOND	---	---	DDC	DIV 23 DIV 23	NFS	DIV 26 DIV 26	
DDH-1	DEHUMIDIFICATION UNIT		47.7 A		208 V	3	70A3P	27(1")C-3#4, #8 BOND	---	---	DDC	DIV 23 DIV 23	NFS	DIV 26 DIV 26	
EF-1	EXHAUST FAN		0.8 A		208 V	1	15A2P	21(3/4")C-2#12, #12 BOND	MAG	DIV 26 DIV 26	DDC	DIV 23 DIV 23	NFS	DIV 26 DIV 26	
F-1	CIRCULATION FAN		3.5 A		208 V	3	15A3P	21(3/4")C-3#12, #12 BOND	MAG	DIV 26 DIV 26	DDC	DIV 23 DIV 23	NFS	DIV 26 DIV 26	
F-2	CIRCULATION FAN		3.5 A		208 V	3	15A3P	21(3/4")C-3#12, #12 BOND	MAG	DIV 26 DIV 26	DDC	DIV 23 DIV 23	NFS	DIV 26 DIV 26	
P-1	SUMP PUMP		9.8 A		120 V	1	25A1P	21(3/4")C-2#12, #12 BOND	PKG	DIV 23 DIV 23	---	---	NFS	DIV 26 DIV 26	1
P-2	SUMP PUMP		9.8 A		120 V	1	25A1P	21(3/4")C-2#12, #12 BOND	PKG	DIV 23 DIV 23	---	---	NFS	DIV 26 DIV 26	1
P-3	SUMP PUMP		9.8 A		120 V	1	25A1P	21(3/4")C-2#12, #12 BOND	PKG	DIV 23 DIV 23	---	---	NFS	DIV 26 DIV 26	1
P-4	SUMP PUMP		9.8 A		120 V	1	25A1P	21(3/4")C-2#12, #12 BOND	PKG	DIV 23 DIV 23	---	---	NFS	DIV 26 DIV 26	1
P-5	SUMP PUMP		9.8 A		120 V	1	25A1P	21(3/4")C-2#12, #12 BOND	PKG	DIV 23 DIV 23	---	---	NFS	DIV 26 DIV 26	1
P-6	SUMP PUMP		9.8 A		120 V	1	25A1P	21(3/4")C-2#12, #12 BOND	PKG	DIV 23 DIV 23	---	---	NFS	DIV 26 DIV 26	1
P-7	SUMP PUMP		9.8 A		120 V	1	25A1P	21(3/4")C-2#12, #12 BOND	PKG	DIV 23 DIV 23	---	---	NFS	DIV 26 DIV 26	1
P-8	SUMP PUMP		9.8 A		120 V	1	25A1P	21(3/4")C-2#12, #12 BOND	PKG	DIV 23 DIV 23	---	---	NFS	DIV 26 DIV 26	1
P-9	SUMP PUMP		9.8 A		120 V	1	25A1P	21(3/4")C-2#12, #12 BOND	PKG	DIV 23 DIV 23	---	---	NFS	DIV 26 DIV 26	1
P-10	SUMP PUMP		9.8 A		120 V	1	25A1P	21(3/4")C-2#12, #12 BOND	PKG	DIV 23 DIV 23	---	---	NFS	DIV 26 DIV 26	1

- STARTER TYPE:**
MAG MAGNETIC
MAN MANUAL
PKG PACKAGED UNIT
VFD VARIABLE FREQUENCY DRIVE
- COMBINATION DISCONNECT TYPES:**
FS FUSED SWITCH
NFS NON-FUSED SWITCH
MCP MOTOR CIRCUIT PROTECTOR
CB CIRCUIT BREAKER
- ABBREVIATIONS:**
EC ELECTRICAL CONTRACTOR
GC GENERAL CONTRACTOR
MC MECHANICAL CONTRACTOR
OWN OWNER
SC SPEED CONTROL
TC TIME CLOCK
TS THERMOSTAT

GENERAL NOTES:

- CIRCUITING IS REPRESENTATIONAL ONLY. CONFIRM CIRCUITING ARRANGEMENTS ON SITE WITH EXISTING CONDITIONS.
- DESIGN FOR ELECTRICAL CONNECTION OF MECHANICAL EQUIPMENT IDENTIFIED ABOVE IS IDENTIFIED FOR MECHANICAL BASIS OF DESIGN EQUIPMENT. COORDINATE EQUIPMENT SUPPLIED WITH MECHANICAL CONTRACTOR PRIOR TO TENDER CLOSE AND MAKE ALL ADJUSTMENTS INCLUDING BUT NOT LIMITED TO QUANTITIES AND RATINGS OF CIRCUITS, BREAKERS AND WIRING AT NO ADDITIONAL COST TO OWNER.
- REFER TO MECHANICAL SPECIFICATION SECTION 25 90 00 SEQUENCE OF OPERATIONS. COORDINATE WIRING AND INTERCONNECTION REQUIREMENTS WITH MECHANICAL CONTRACTOR.

NOTES:

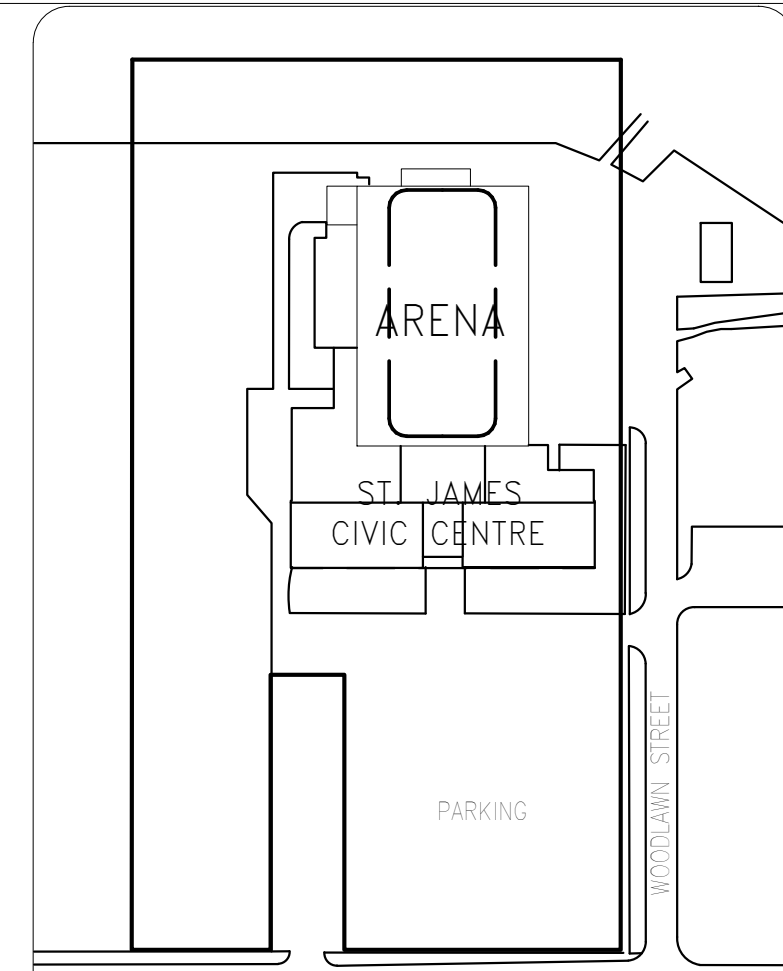
- WIRE AND CONNECT SUMP PUMPS TO SUMP PUMP CONTROLLER C/W ALL ASSOCIATED CONTROLS AND REMOTE ALARM PANEL. REFER TO TYPICAL SUMP PUMP DETAIL.

LIGHTING FIXTURE SCHEDULE									
TYPE	Description	LENS-LOUVER	MOUNTING	LAMP	BALLAST / DRIVER	VOLT	WATT	MFR	CATALOG SERIES
ELA26	DOUBLE HEAD EMERGENCY LIGHTING DECORATIVE REMOTE. DIE CAST ALUMINUM CONSTRUCTION, WHITE	---	WALL	2 x 6W LED 50000HR 540 LUMENS	LED	12 V	12 W	LUMACELL	DR
EX1	LED UNIVERSAL MOUNT, UNIVERSAL SINGLE/DOUBLE FACE PICTOGRAM STYLE EXIT SIGN WITH WHITE ALUMINUM HOUSING AND CHEVRON ARROWS AS SHOWN ON PLANS.	---	UNIVERSAL	< 3W LED MIN 50000 HR	---	120 V	3 W	LUMACELL	LA-3-W-U
SL1	8' LINEAR LED STRIP C/W WIREGUARD	OPAL POLYCARBONATE	SURFACE	LED 6380LM 80+CRI 3500K /60000HR	0-10V DIMMING LED DRIVER	120 V	48 W	(1)LITHONIA (2)SIGNIFY	(1)CSS-L96-AL04-MVOLT-SWW3-80CRI (2)FSS860L840-UNV-DIM

- GENERAL NOTES:**
- EMERGENCY LIGHTING MODEL NUMBERS ARE BASED ON LUMACELL PRODUCT LINE. EMERGITLITE, BEGHELLI, AND AMLITE MEETING PERFORMANCE SPECIFICATIONS ARE APPROVED SUBSTITUTIONS.
 - WHERE "APPROVED EQUAL" IS LISTED IN THE MANUFACTURER COLUMN, FIXTURES MUST BE SUBMITTED AS A SUBSTITUTION FOR APPROVAL PRIOR TO BID SUBMISSION.

EMERGENCY BATTERY BANK SCHEDULE												
ID	DESCRIPTION	BATTERY SIZE	HEADS OF HEADS	NUMBER OF HEADS	WATTS PER HEAD	VSR	AC VOLT	DC VOLT	SUPPLIED FROM	TOTAL DC LOAD	TOTAL DC LOAD WITH SAFETY FACTOR	MAX WATT 30 MIN
BU-CR	BATTERY BANK, STEEL CABINET COMPLETE WITH AC/DC TERMINAL BLOCKS.	360 W	YES	2	6	YES	120 V	12 V	CR	254 W	318 W	360 W

- GENERAL NOTES:**
- EMERGENCY LIGHTING MODEL NUMBERS ARE BASED ON LUMACELL PRODUCT LINE. EMERGITLITE, BEGHELLI, AND AMLITE MEETING PERFORMANCE SPECIFICATIONS ARE APPROVED EQUAL.
 - BATTERY BANK SHALL BE C/W CORD AND S-1SP PLUG. PROVIDE 5-15R5-20R RECEPTACLE TO MATCH CIRCUIT RATING.



KEY PLAN

The General Contractor shall check & verify all dimensions and report any errors or omissions to the designers.

1	2020-11-19	ISSUED FOR ADDENDUM 1ME
0	2020-10-30	ISSUED FOR CONSTRUCTION

APEGM
Certificate of Authorization
Epp Siepman Engineering Inc.
No. 4035

Consultant
es e epp siepman engineering
400 - 136 Market Avenue
Winnipeg, MB R3B 0P4
T 204-453-1080

300-275 Carlton Street
Winnipeg, Manitoba R3C 5R6
T 204-943-7501
F 204-943-7507
Crosier Kilgour & Partners Ltd.
CONSULTING STRUCTURAL ENGINEERS

Project
SJCC RINK CRAWLSPACE
ARENA CRAWLSPACE RESTORATION
2055 NESS AVENUE
WINNIPEG, MANITOBA

Sheet Title
ELECTRICAL SCHEDULES

File	20057	Date	2020-09-17
Design	AS	Drawn	AS
Revision		Sheet No.	

E6.1-R1