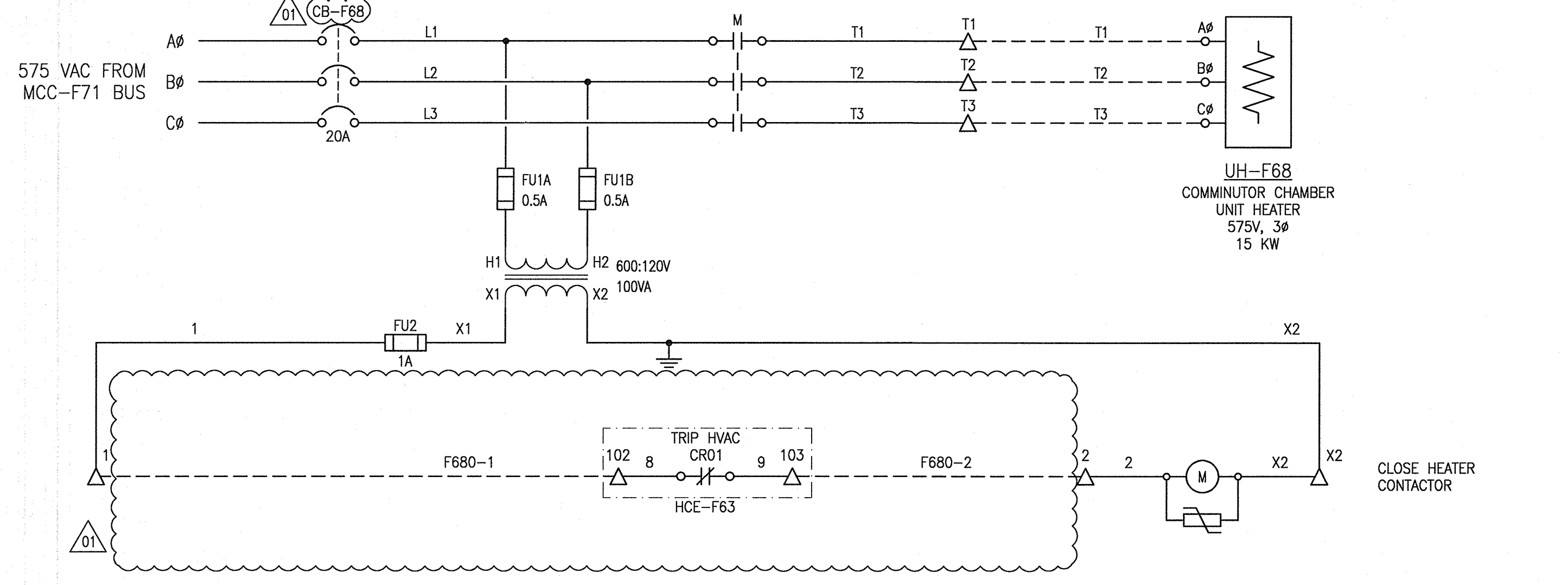
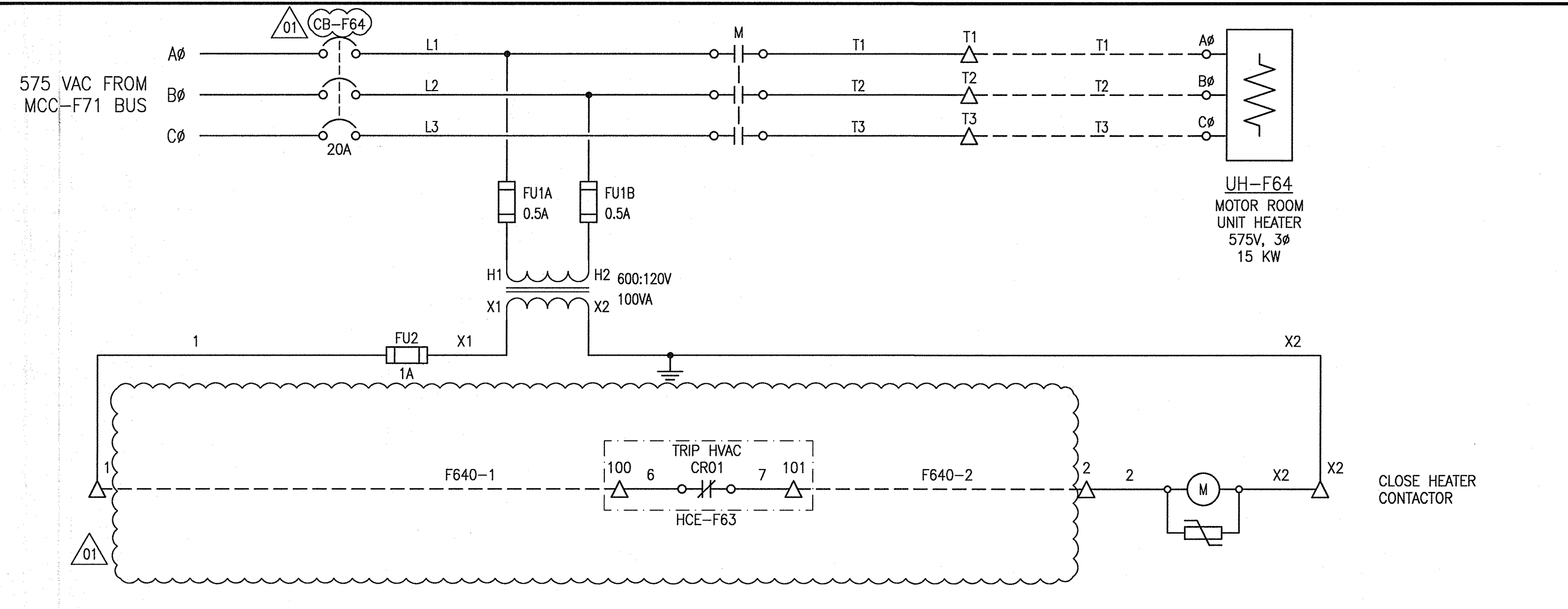
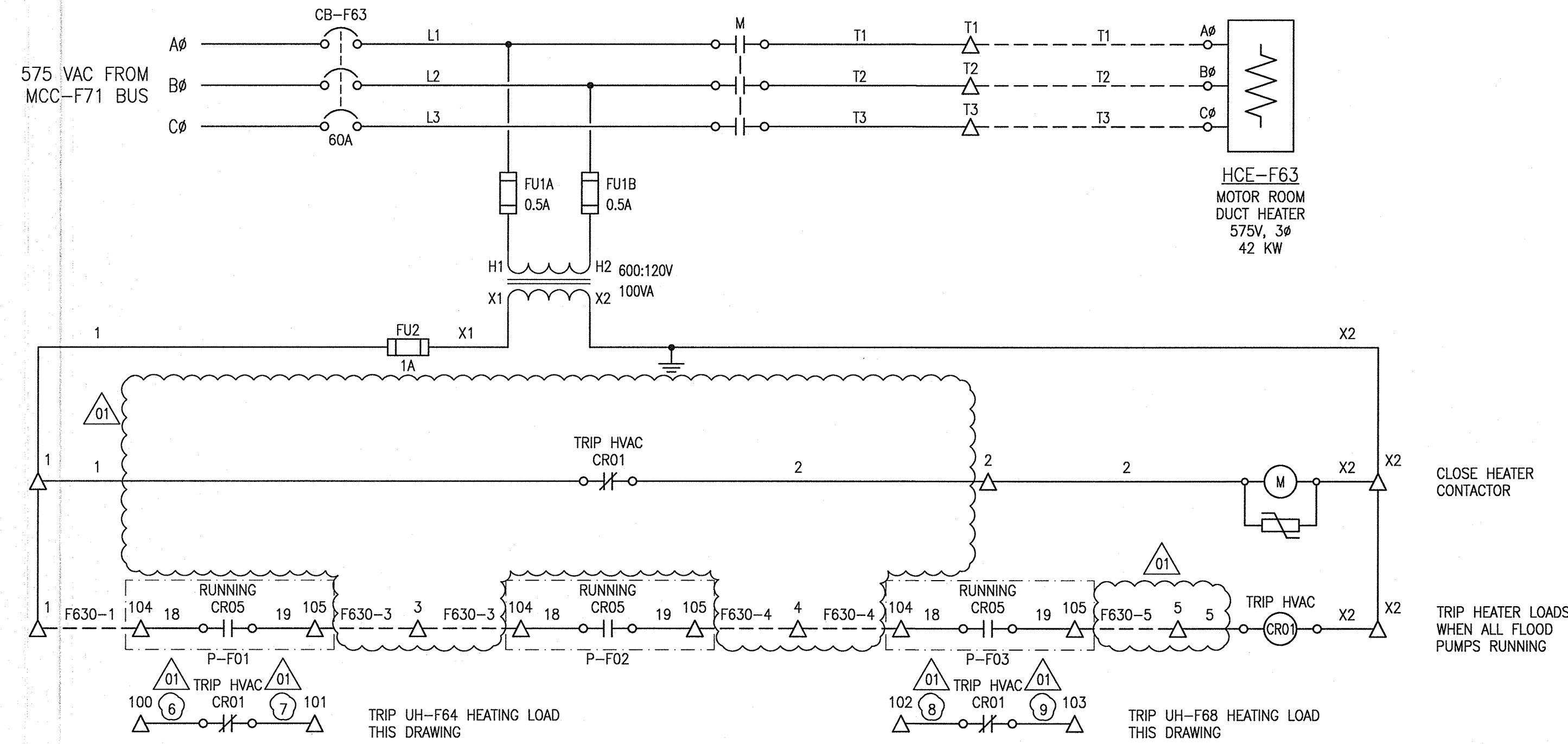
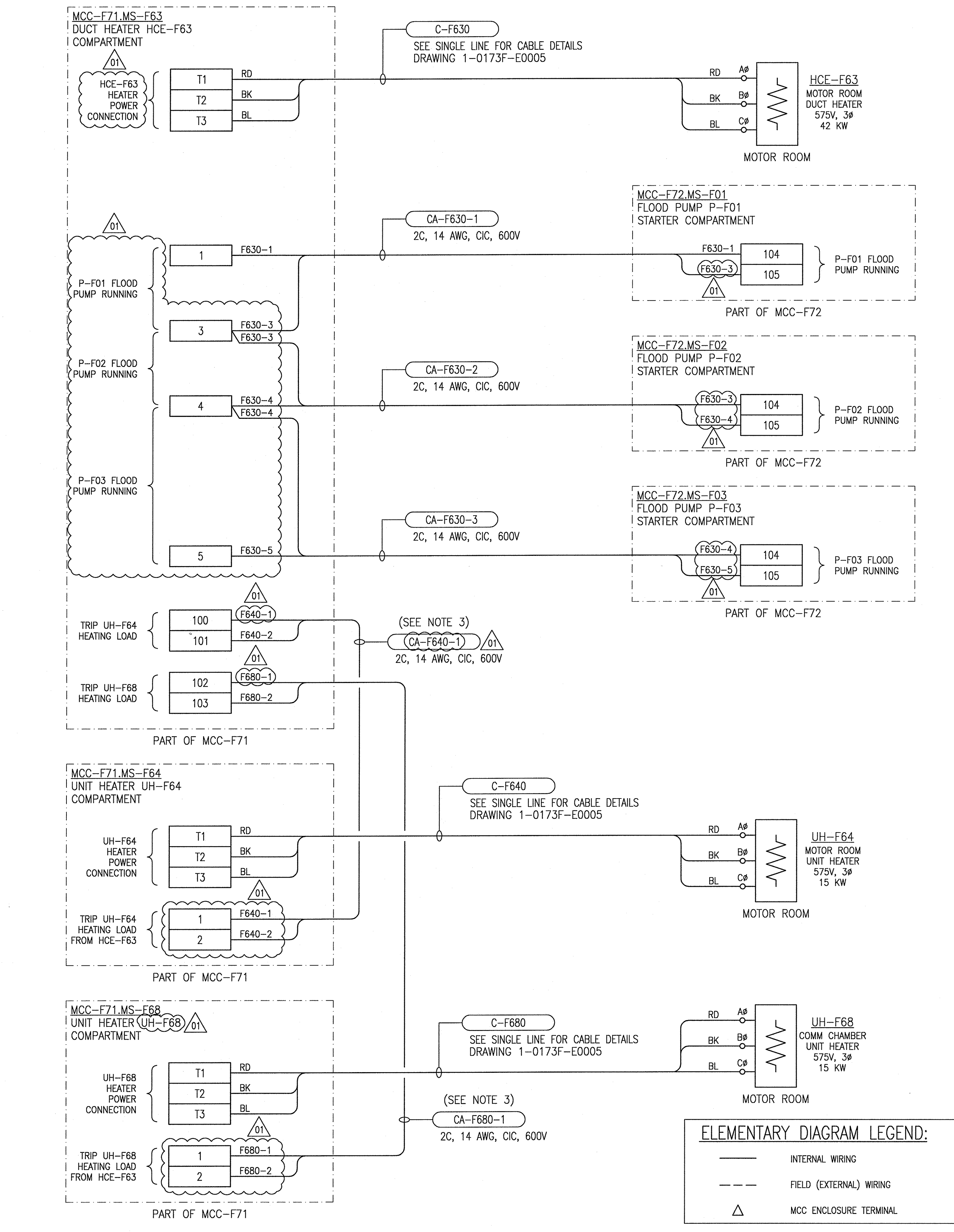


A1 SIZE - 594mm x 841mm

**ELEMENTARY DIAGRAM:**



**FIELD CONNECTION DIAGRAM:**



**ELEMENTARY DIAGRAM LEGEND:**

—	INTERNAL WIRING
- - -	FIELD (EXTERNAL) WIRING
△	MCC ENCLOSURE TERMINAL

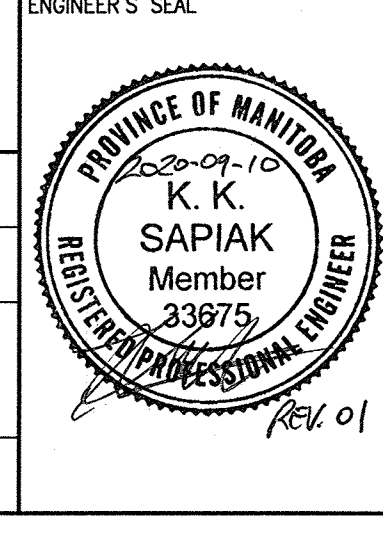
- GENERAL NOTES:**
1. THE HEATING LOADS ARE REQUIRED TO BE AUTOMATICALLY TRIPPED IF ALL FLOOD PUMPS ARE RUNNING AT THE SAME TIME TO PREVENT MAIN TRANSFORMER XFMR-F70 FROM BEING OVERLOADED.
  2. ALL FIELD CABLING SHOWN ON THIS DRAWING IS NEW AND IS TO BE PROVIDED AND INSTALLED BY THE CONTRACTOR UNLESS OTHERWISE INDICATED. CONTRACTOR TO PROVIDE AND INSTALL CONDUIT FOR FIELD CABLING.
  3. CABLE IS TO BE PROVIDED AND INSTALLED BY THE MCC MANUFACTURER.
  4. NOT ALL MCC BUCKET TERMINALS ARE SHOWN.



NO.	REVISIONS	DATE	DESIGN	CHECK
01	REMOVED HVAC SWITCH & REVISED WIRING LABELS	2020/09/10	KS	BC
00	ISSUED FOR CONSTRUCTION	2020/08/19	KS	BC

**SNC-LAVALIN**

DESIGNED BY: K. SAPIAK  
 CHECKED BY: B. CLEVEN  
 DRAWN BY: K. SAPIAK  
 APPROVED BY: B. CLEVEN  
 SCALE: N.T.S.  
 ISSUED FOR CONSTRUCTION BY: K. ZUREK  
 DATE: 2020/08/12  
 DATE: 2020/08/19



**THE CITY OF WINNIPEG**  
 WATER AND WASTE DEPARTMENT

POLSON FLOOD PUMPING STATION  
 2020 UPGRADES  
 HEATER CONTACTORS SCHEMATIC  
 AND CONNECTION DIAGRAM  
 HCE-F63, UH-F64 AND UH-F68 HEATERS

CITY DRAWING NUMBER: 1-0173F-E0021  
 SHEET: 001  
 REV: 01  
 SIZE: A1

LAST SAVE: 2020/09/10 - 3:11pm  
 PATH: M:\672795\4ENCL\7ELE\DO - General DWG\1-0173F-E0021-001.dwg

1-0173F-E0021-001.dwg