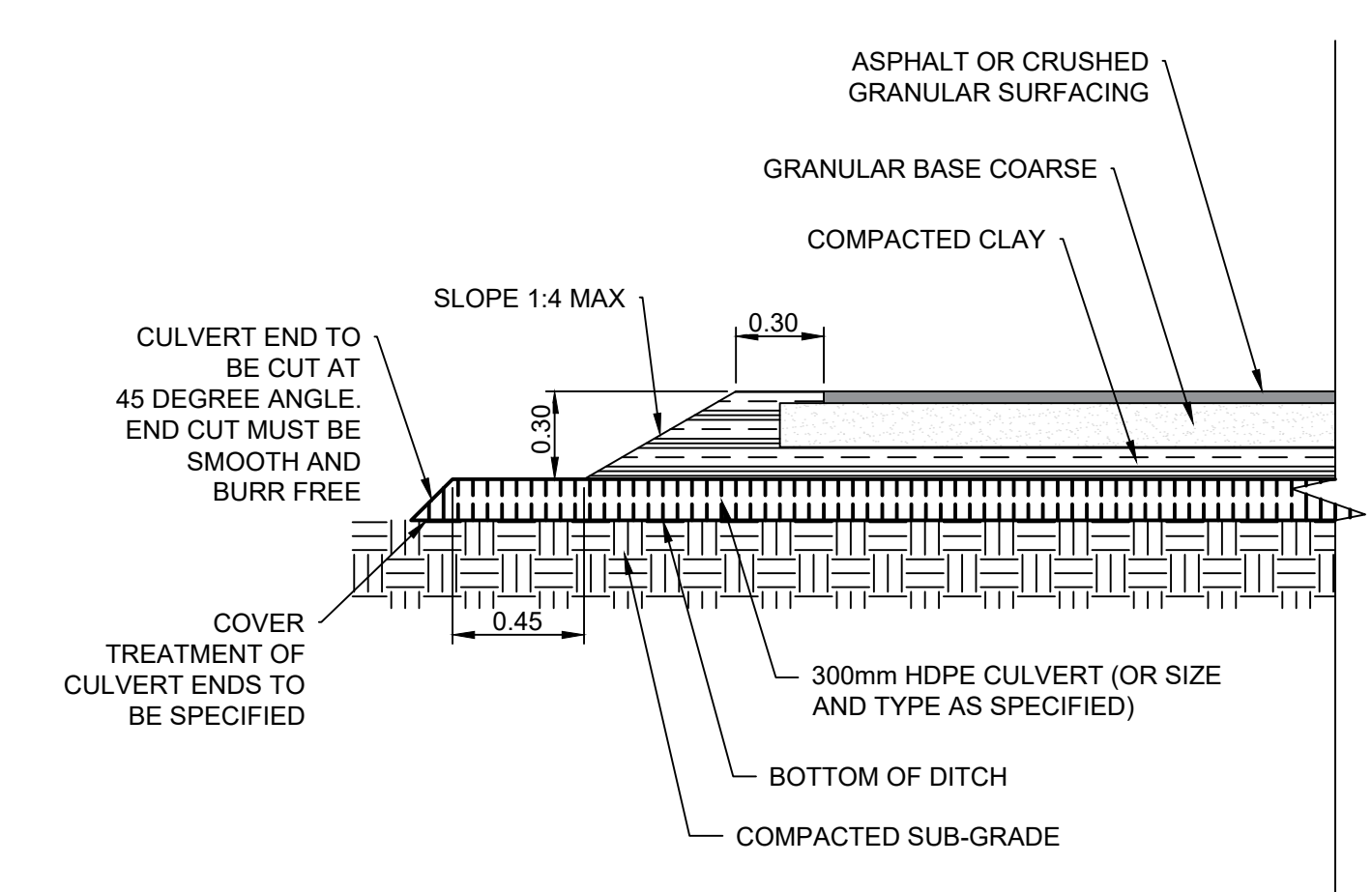


75 mm - TYPE 1A ASPHALT SURFACE
 125 mm - 20 mm GRANULAR B
 GEOGRID
 150 mm - 50 mm SUB-BASE
 GEOTEXTILE
 COMPACTED SUBGRADE

TYPICAL PATHWAY CROSS-SECTION
 N.T.S.



TYPICAL CULVERT INSTALLATION CROSS-SECTION (SCD-612)
 N.T.S.

- CONSTRUCTION NOTES**
1. REMOVE EXISTING PATH AND CONSTRUCT NEW 75mm ASPHALT PATHWAY AS PER DETAILED CROSS SECTION
 2. REMOVE EXISTING CULVERT AND INSTALL NEW 300mm HIGH DENSITY POLYETHYLENE PIPE AS PER SCD-612
 3. REMOVE SECTION OF CHAIN LINK FENCE TO ALLOW FOR NEW PROPOSED ALIGNMENT

- GENERAL NOTES**
- A. PAVEMENT DIMENSIONS ARE TO BACK OF CURB
 - B. ALL CURB RADII UNDER 15.0m SHALL BE MODIFIED
 - C. ADD 200.000m TO ALL DESIGN ELEVATION TO OBTAIN GEODETIC ELEVATIONS
 - D. CURB REPLACEMENT AS DIRECTED BY CONTRACT ADMINISTRATOR

PRELIMINARY
 NOT TO BE USED FOR
 CONSTRUCTION

METRIC
 WHOLE NUMBERS INDICATE MILLIMETERS
 DECIMALIZED NUMBERS INDICATE METERS
 BID OPPORTUNITY NO. 22-2020

EXISTING	LEGEND - PLAN	PROPOSED	EXISTING	LEGEND - PLAN	PROPOSED	EXISTING	LEGEND - PROFILE	PROPOSED
⊕	HYDRANT	◆	---	LDS/WWS	---	▒	CONCRETE	▒
⊙	VALVE	●	---	WATERMAIN	---	▒	CONCRETE SIDEWALK	▒
⊖	CURB STOP	●	---	GAS	---	▒	ASPHALT	▒
⊙	MANHOLE	●	---	TRAFFIC SIGNALS	---			
⊖	CATCH BASIN	●	---	HYDRO/STREET LIGHT	---	---	EXISTING	---
△	CURB INLET	■	---	MTS/SHAW	---	---	LEGEND - PLAN	---
⊙	HYDRO POLE	◆	---	CURB RENEWAL	---	---	NORTH GUTTER	---
⊙	LIGHT STANDARD	●	---	PROPERTY LINE	---	---	CENTER LINE	---
⊙	TRAFFIC SIGNAL POLE	●	---	RAMP CURB	---	---	SOUTH GUTTER	---
⊕	SURVEY BAR	◆	---	ELEVATIONS	---	---	NORTH SIDEWALK	---
⊕	GEODETIC BENCH MARK	◆	---	TREE	---	---	SOUTH SIDEWALK	---

LOCATION APPROVED UNDERGROUND STRUCTURES

SUPR. U/G STRUCTURES COMMITTEE	DATE

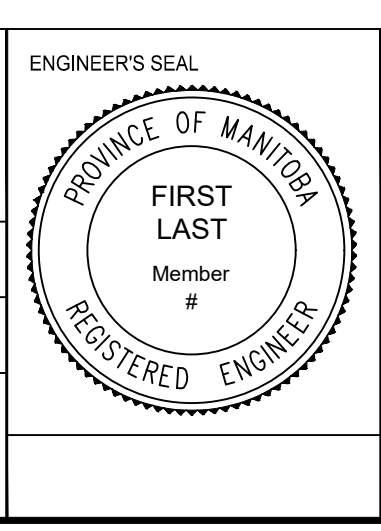
NOTE:
 LOCATION OF UNDERGROUND STRUCTURES AS SHOWN ARE BASED ON THE BEST INFORMATION AVAILABLE. BUT NO GUARANTEE IS GIVEN THAT ALL EXISTING UTILITIES ARE SHOWN OR THAT THE GIVEN LOCATIONS ARE EXACT. CONFIRMATION OF EXISTENCE AND EXACT LOCATION OF ALL SERVICES MUST BE OBTAINED FROM THE INDIVIDUAL UTILITIES BEFORE PROCEEDING WITH CONSTRUCTION.

ENGINEERING DIVISION
 TECHNOLOGY SERVICES BRANCH
 106 - 1155 PACIFIC AVE

DESIGNED BY	CHECKED BY
M.S.	C.H.

DRAWN BY	APPROVED BY
T.G.	

HOR. SCALE: 1 : 500
 VERTICAL: _____
 DATE: 2020/02/28



THE CITY OF WINNIPEG
 PUBLIC WORKS DEPARTMENT

TYNDALL PARK
 FROM BURROWS AVE. TO BACKLANE & TYNDALL PARK SCHOOL
 PATHWAY RENEWAL AND ASSOCIATED WORKS

CITY DRAWING NUMBER SE-20-41
 SHEET 1 OF 4
 1