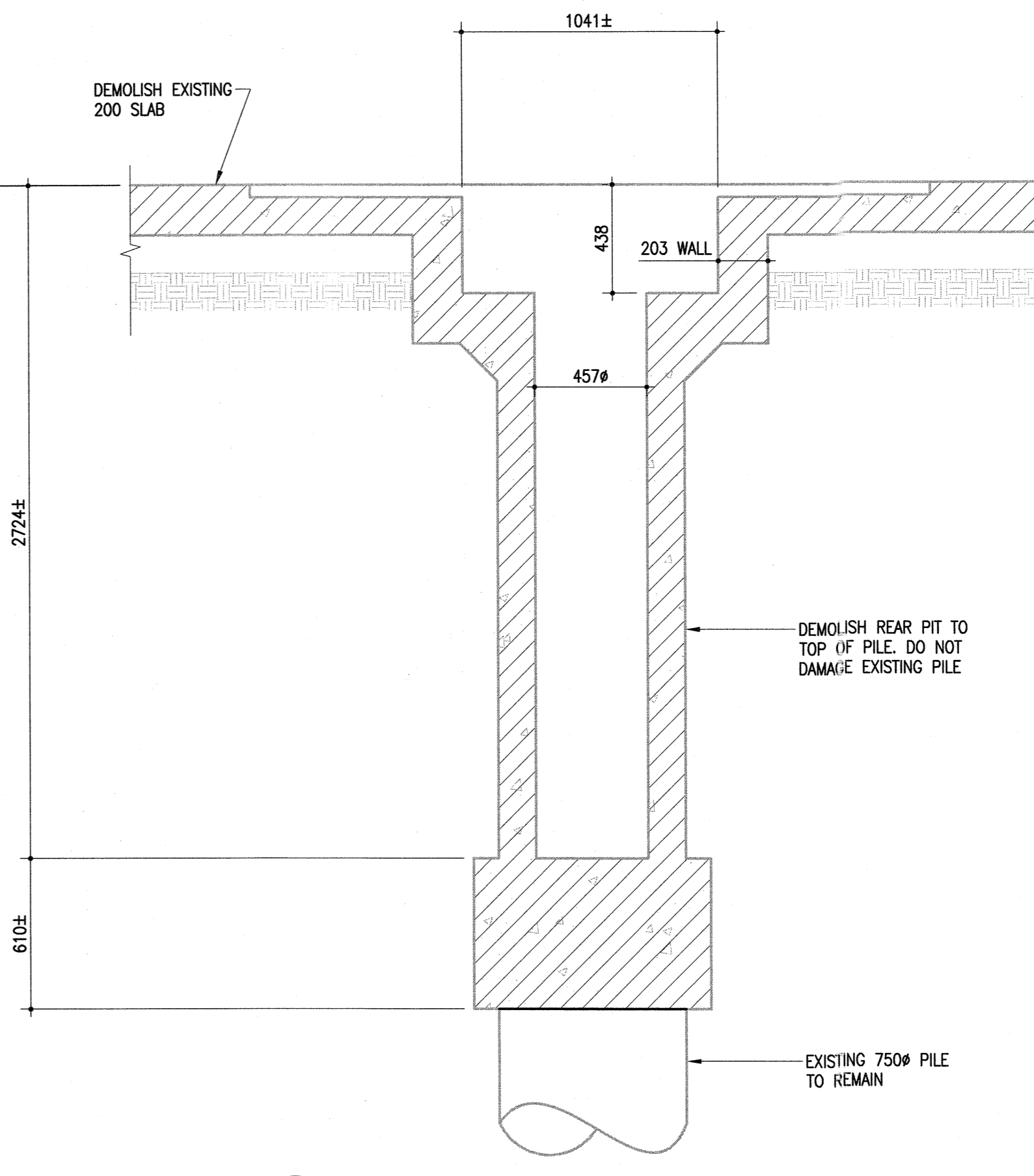
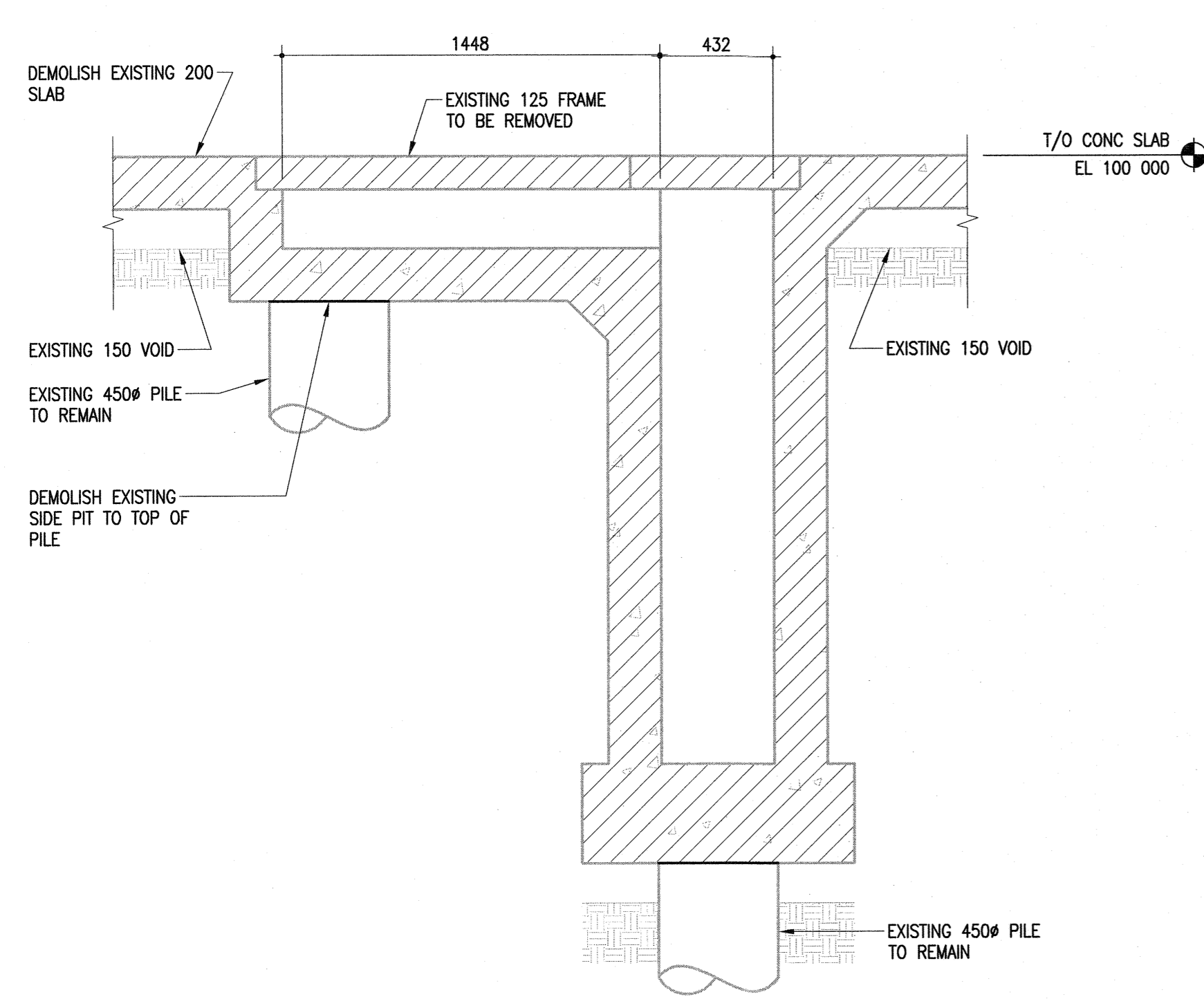


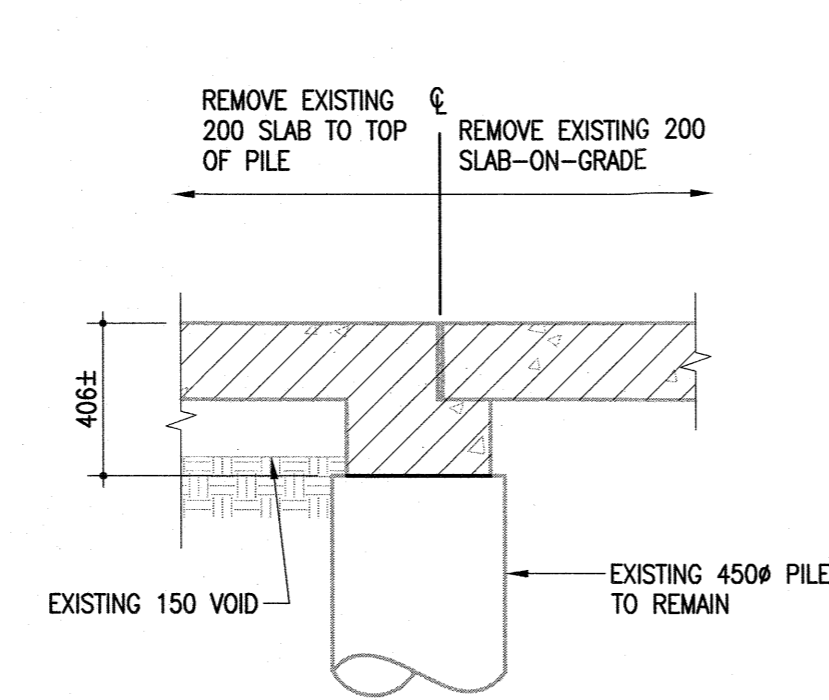
**1 SECTION THROUGH BUS HOIST**  
S2.1 | S4.1 | 1:20



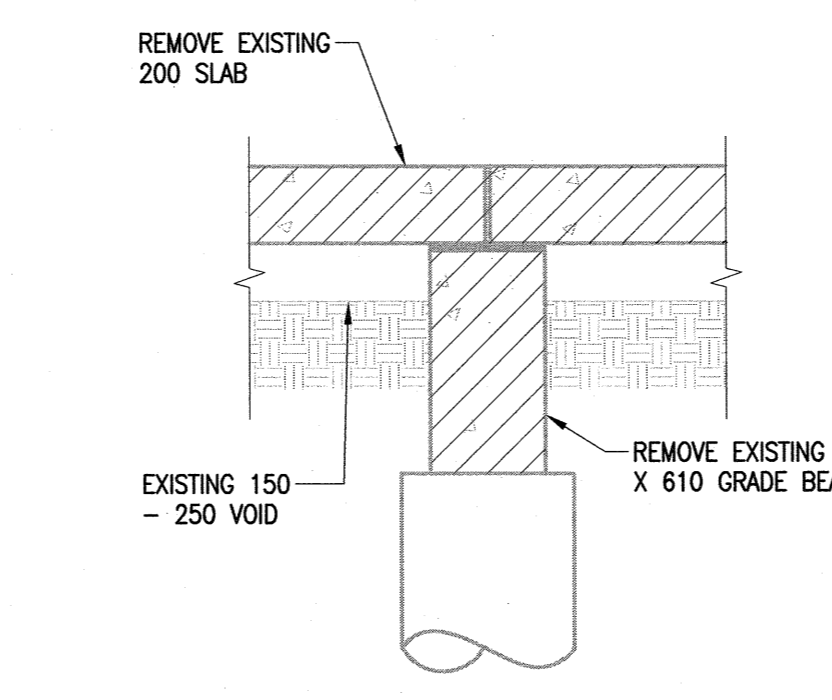
**3 SECTION THROUGH REAR PIT**  
S4.1 | S4.1 | 1:20



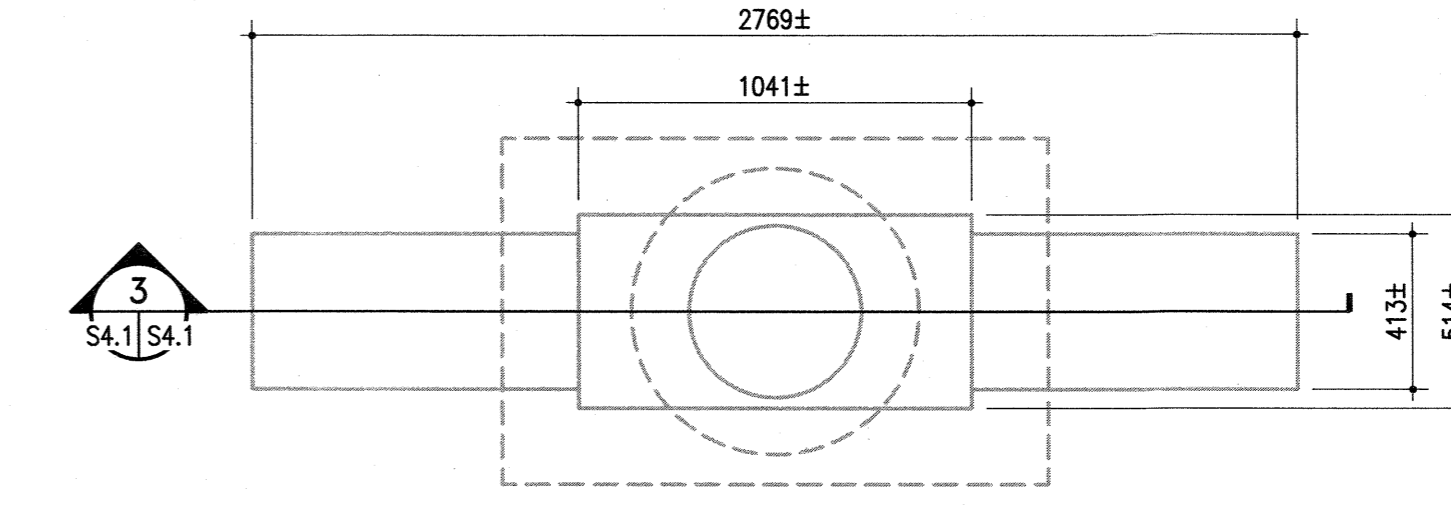
**4 SECTION THROUGH SIDE PIT**  
S2.1 | S4.1 | 1:20



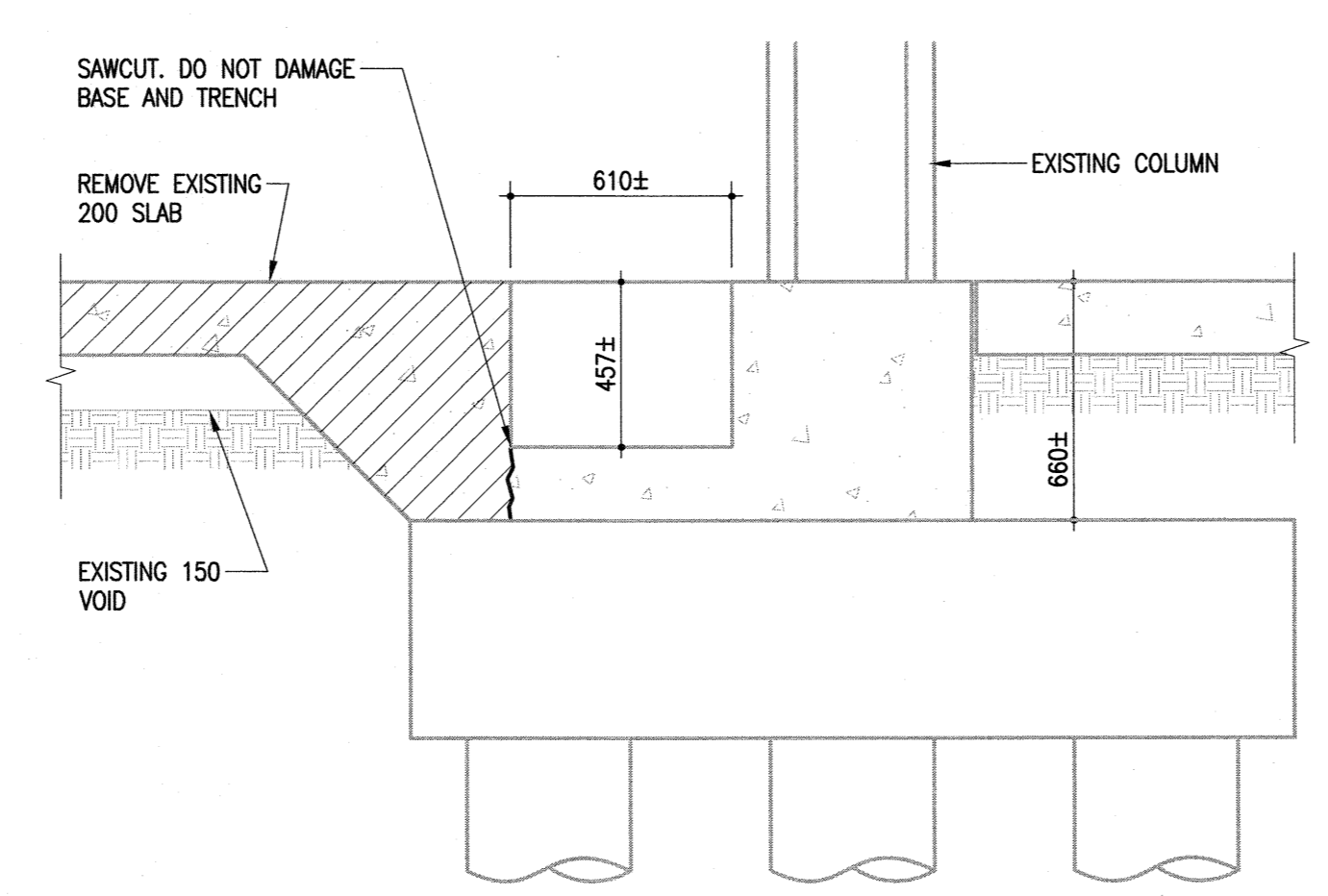
**5 JOINT SECTION**  
S2.1 | S4.1 | 1:20



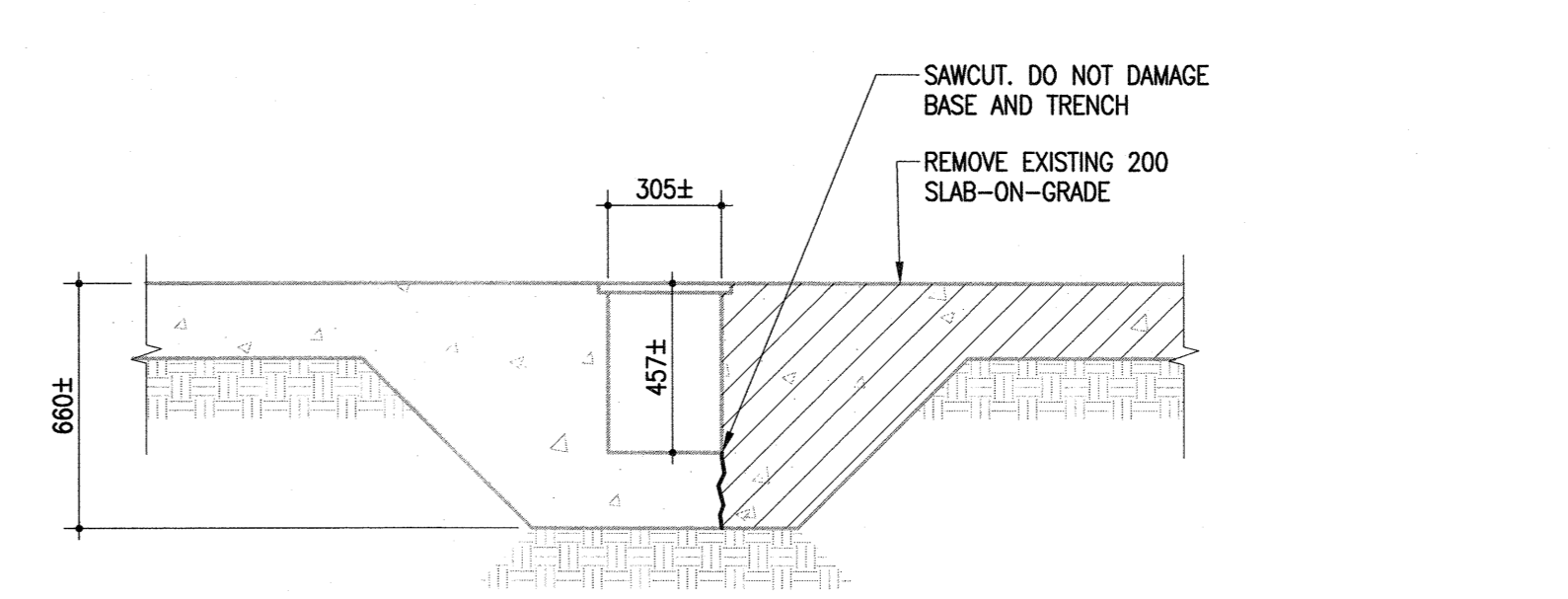
**6 EXPANSION JOINT SECTION**  
S2.1 | S4.1 | 1:20



**2 REAR PIT PLAN**  
S2.1 | S4.1 | 1:20



**7 HYDRAULIC TRENCH SECTION**  
S2.1 | S4.1 | 1:20



**8 DRAINAGE TRENCH SECTION**  
S2.1 | S4.1 | 1:20

The General Contractor shall check & verify all dimensions and report any errors or omissions to the designers.

No.	Date	Issue/Revision	By
1	2019-08-30	ISSUED FOR CONSTRUCTION	IM
0	2019-08-21	ISSUED FOR BID	IM

**ENGINEERS GEOSCIENTISTS MANITOBA**  
Certificate of Authorization  
Crosier Kilgour & Partners Ltd.  
No. 235



Consultant

300-275 Carlton Street  
Winnipeg, Manitoba R3C 5R6  
T 204-943-7501  
F 204-943-7507

**Crosier Kilgour & Partners Ltd.**  
CONSULTING STRUCTURAL ENGINEERS

Project  
**WINNIPEG TRANSIT GARAGE BUILDING**  
HOIST REPLACEMENT PROGRAM  
421 OSBORNE STREET  
WINNIPEG, MANITOBA

Sheet Title  
**DEMOLITION DETAILS**

File 2018-1170	Date 2019-08-30
Design IM	Drawn JSR

Revision <b>1</b>	Sheet No. <b>S4.1</b>
----------------------	--------------------------