

NEW PARTIAL PILING PLAN

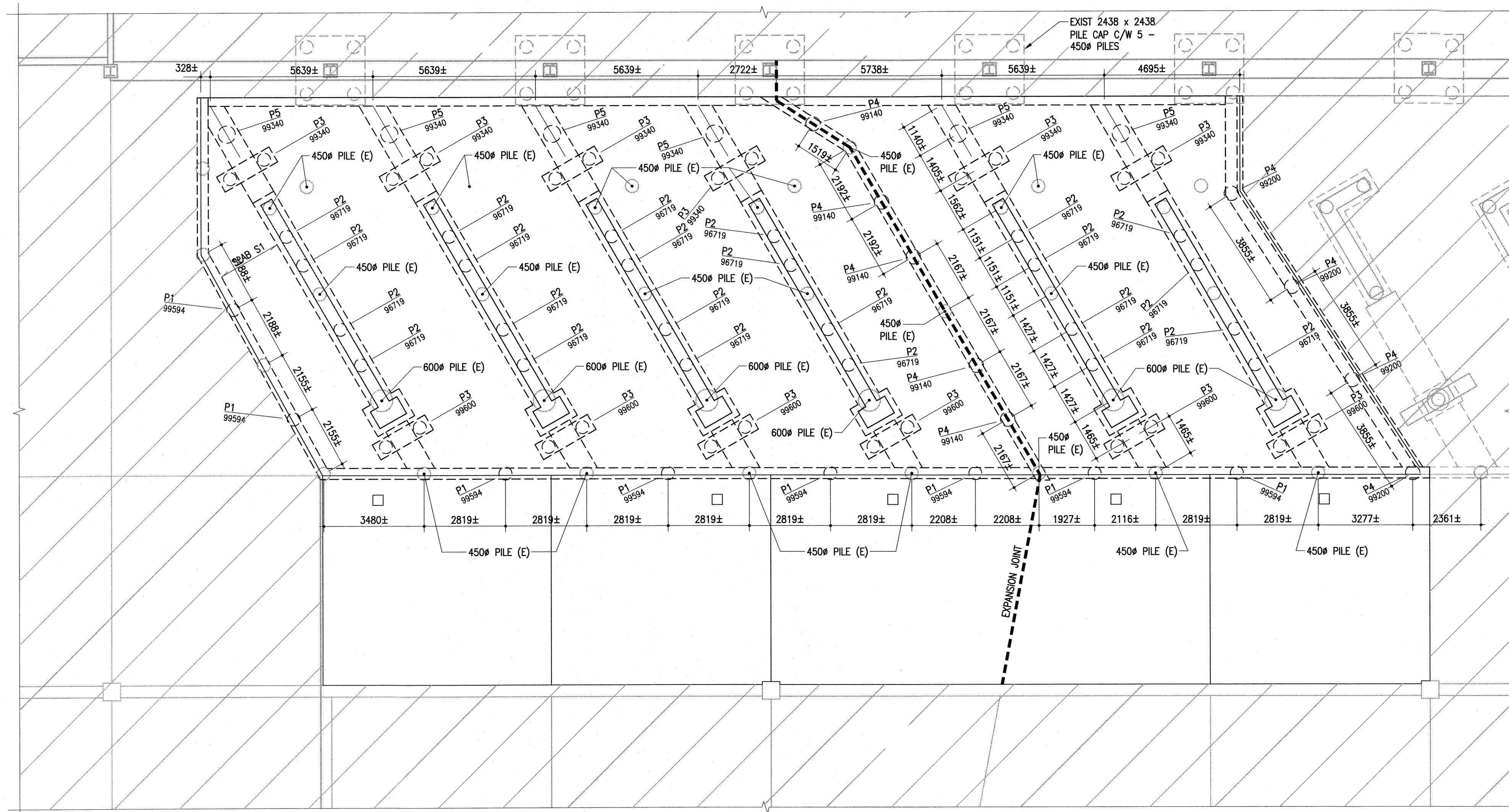
1 : 100

DESIGN LOADS

FLOOR LL = 12.0 kPa
 FLOOR DL = 4.8 kPa
 HOIST LL = 112 kPa

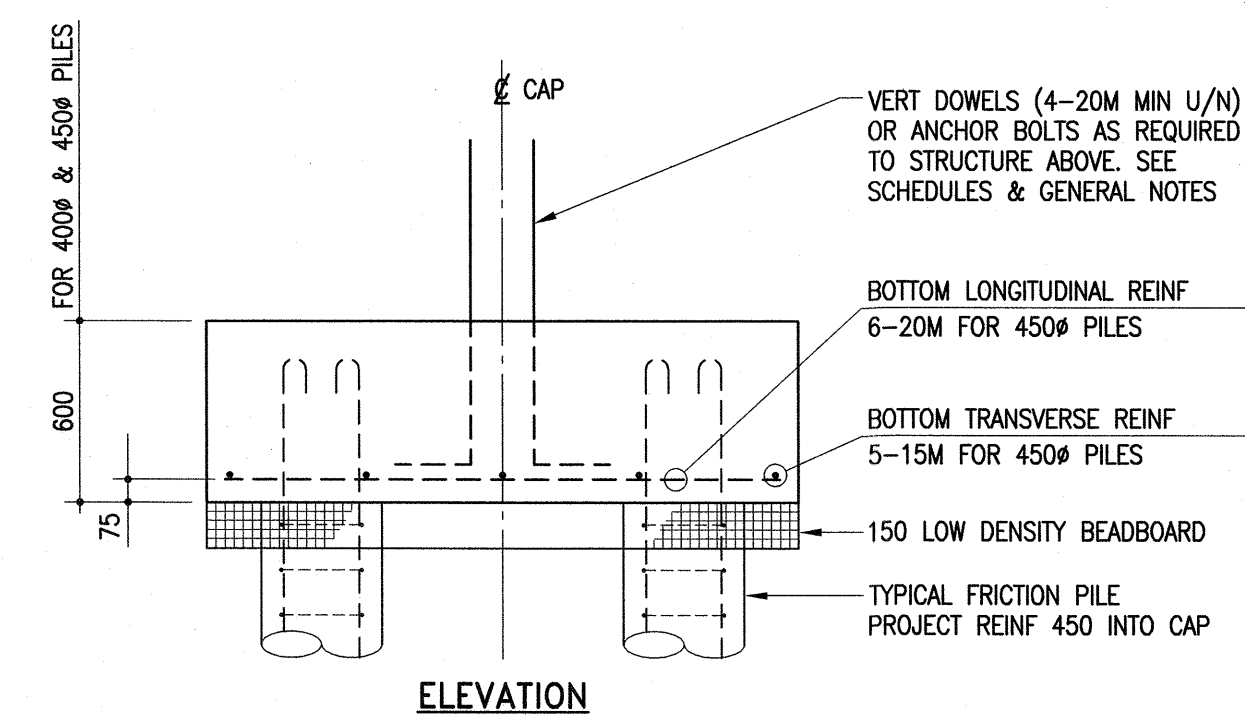
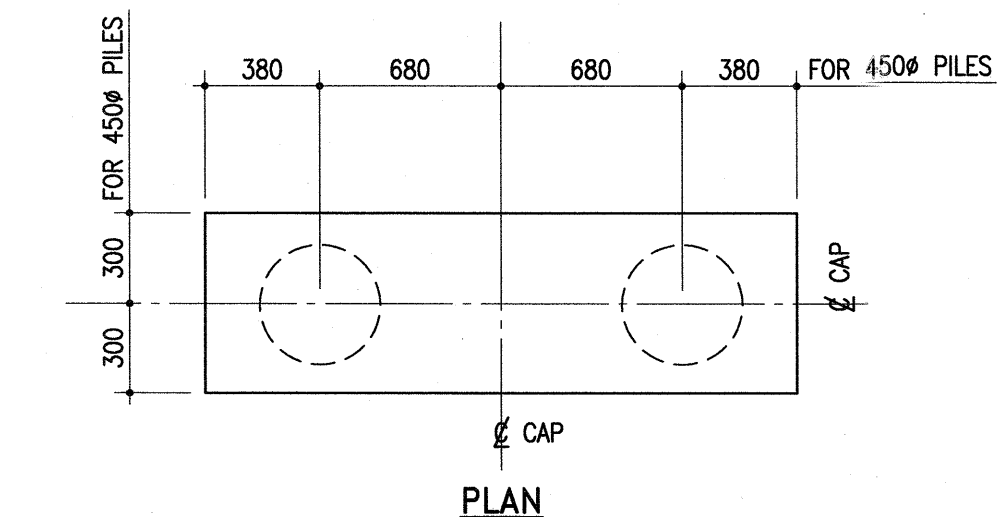
LEGEND

Ⓜ - HOIST NUMBER



1 NEW PHASE 1 PILING PLAN

S2.2 S2.2 1:100



DOUBLE PILE CAP DETAIL

1 : 25

PILE SCHEDULE

| MARK | DIAMETER & LENGTH |
|------|-------------------|
| P1 | 450# x 8000 |
| P2 | 450# x 10000 |
| P3 | 2 - 450# x 11000 |
| P4 | 500# x 12000 |
| P5 | 600# x 14000 |

• ALL PILE ELEVATIONS SHOWN IN PLANS ARE TOP OF PILE OR TOP OF PILE CAP

The General Contractor shall check & verify all dimensions and report any errors or omissions to the designers.

| No. | Date | Issue/Revision | By |
|-----|------------|-------------------------|----|
| 1 | 2019-08-30 | ISSUED FOR CONSTRUCTION | IM |
| 0 | 2019-08-21 | ISSUED FOR BID | IM |

ENGINEERS GEOSCIENTISTS MANITOBA
 Certificate of Authorization
 Crosier Kilgour & Partners Ltd.
 No. 235

PROVINCE OF MANITOBA
I. MINENKOV
 Member
 33444
 REGISTERED PROFESSIONAL ENGINEER

2019-08-30

Consultant

300-275 Carlton Street
 Winnipeg, Manitoba R3C 5R6
 T 204. 943. 7501
 F 204. 943. 7507

Crosier Kilgour & Partners Ltd.
 CONSULTING STRUCTURAL ENGINEERS

Project
WINNIPEG TRANSIT GARAGE BUILDING
 HOIST REPLACEMENT PROGRAM
 421 OSBORNE STREET
 WINNIPEG, MANITOBA

Sheet Title
**NEW PARTIAL PILING PLAN,
 NEW PHASE 1 PILING PLAN & SCHEDULES**

| File | Date |
|-----------|------------|
| 2018-1170 | 2019-08-30 |

| Design | Drawn |
|--------|-------|
| IM | JSR |

| Revision | Sheet No. |
|----------|-----------|
| 1 | S2.2 |