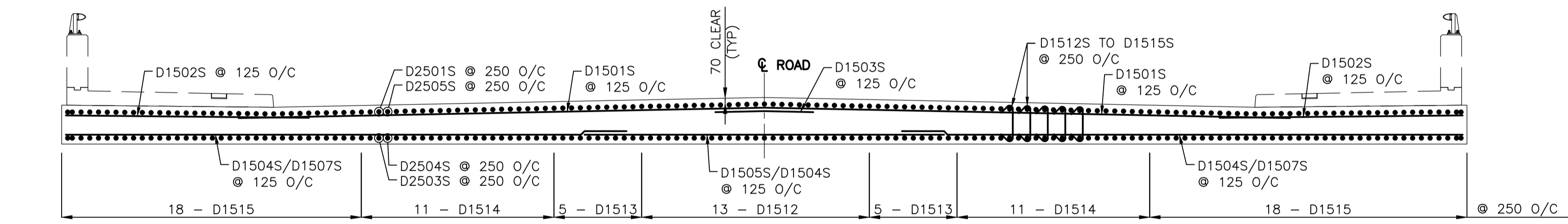
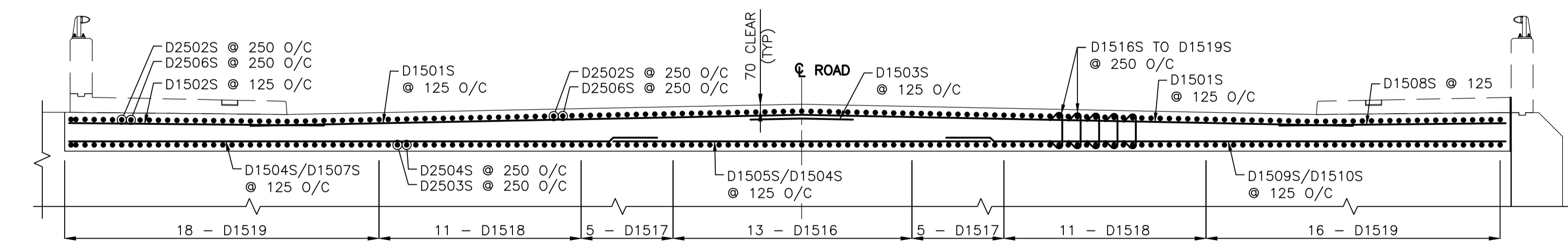


PLAN - BRIDGE DECK SLAB REINFORCEMENT  
1:50



A SECTION - BRIDGE DECK SLAB REINFORCEMENT  
1:50



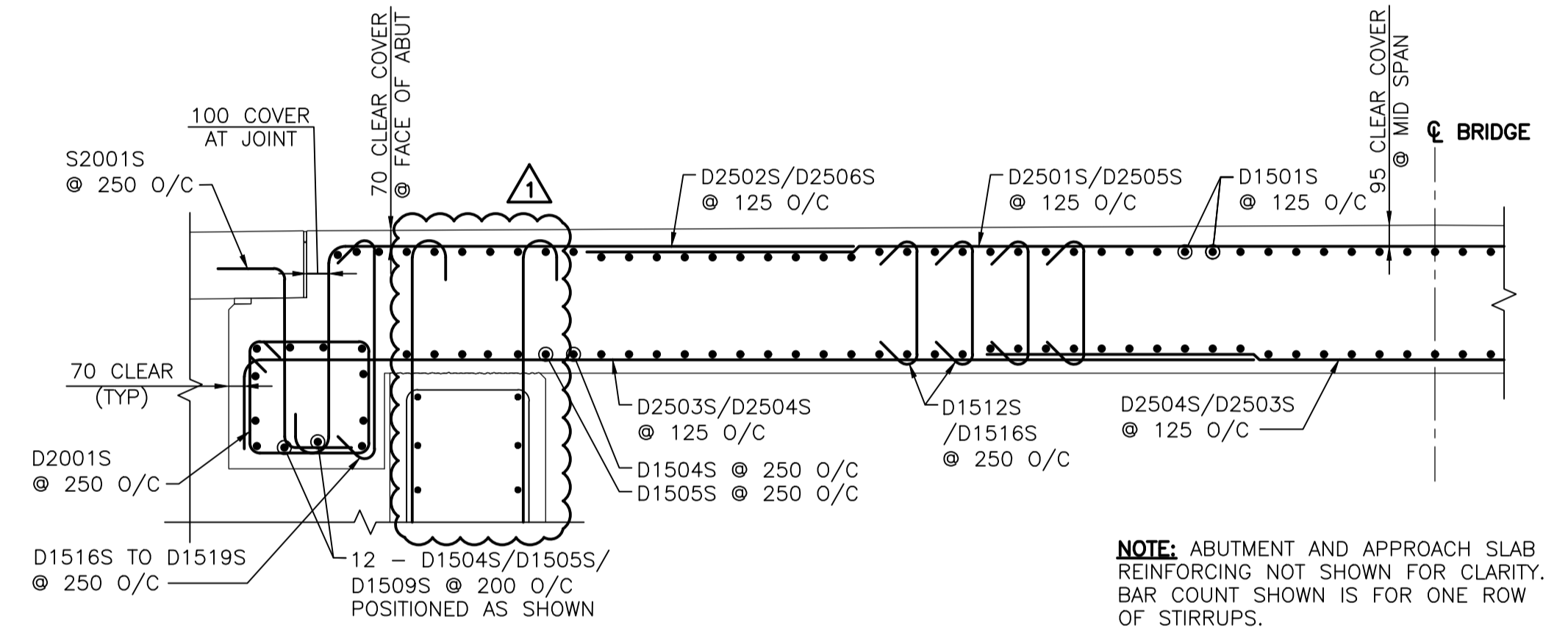
B SECTION - BRIDGE DECK SLAB REINFORCEMENT  
1:50

BILL OF REINFORCING STEEL

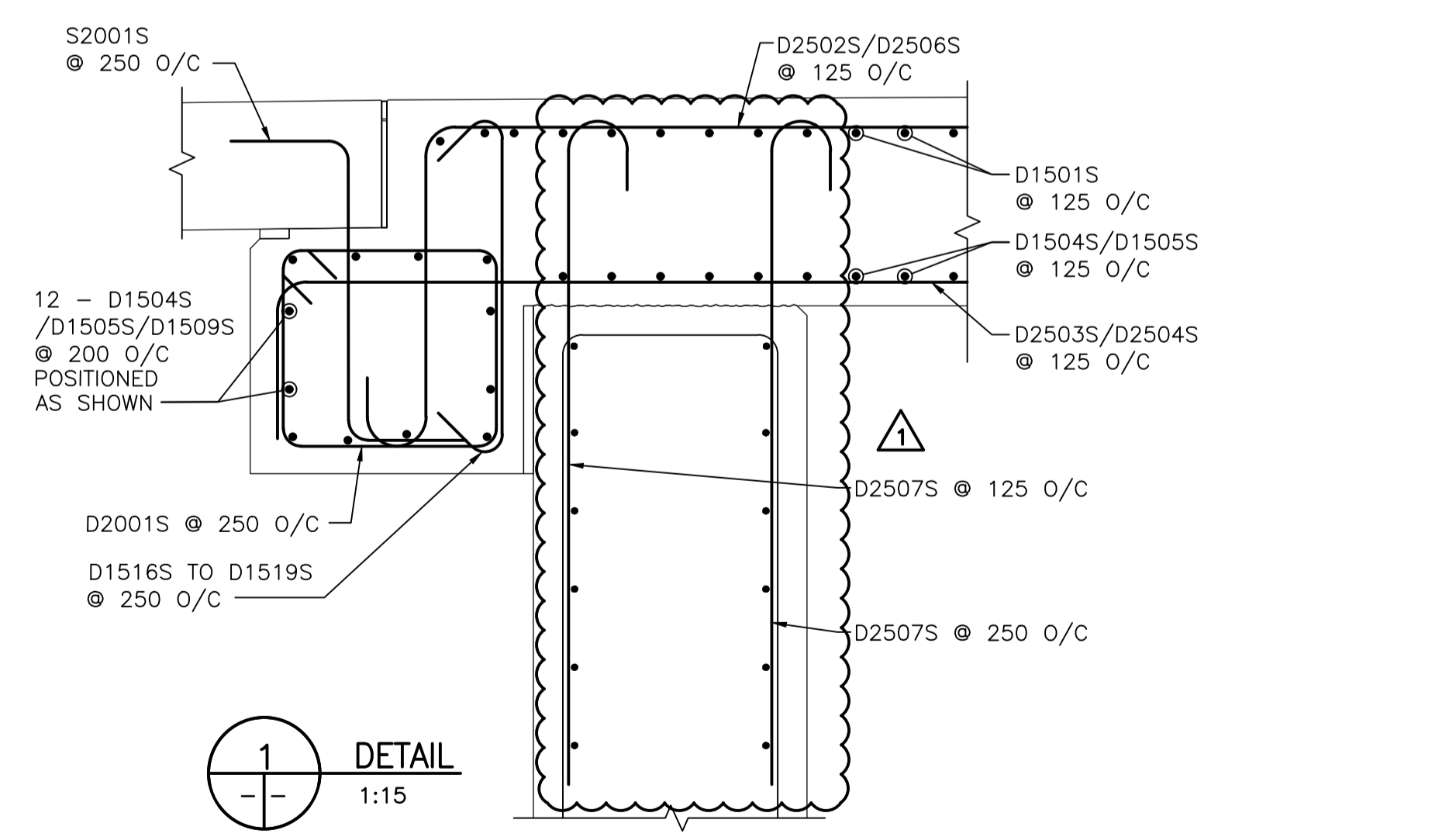
PER DECK - ONE REQ'D															
STRAIGHT BARS					BENT BARS					BAR TYPES					
MARK	QTY.	LENGTH (mm)	MASS (kg)		MARK	QTY.	TYPE	A	B	C	D	E	F	LENGTH (mm)	MASS (kg)
D1501S	162	7500	1907.6		D1503S	81	A	700	700					1400	178.0
D1502S	144	3470	784.5		D1512S	507	E	535						815	648.7
D1504S	112	8000	1406.7		D1513S	390	E	500						780	477.6
D1505S	41	5130	330.2		D1514S	858	E	450						730	983.4
D1507S	72	6565	742.1		D1515S	1388	E	400						680	1481.8
D1508S	18	3080	87.0		D1516S	26	E	930						1210	49.4
D1509S	10	7612	119.5		D1517S	20	E	895						1175	36.9
D1510S	8	6177	77.6		D1518S	44	E	870						1150	79.4
					D1519S	68	E	815						1095	116.9
D2501S	79	7550	2341.1		D1520S	4	G	200	1310	200				1710	10.7
D2505S	78	3950	1209.3												
D2509S	8	7775	244.1		D2001S	158	D	100	560	500	560	500	100	2320	863.2
					D2502S	158	C	800	2400					3200	1984.5
					D2503S	157	C	400	4540					4940	3044.2
					D2504S	157	C	400	7370					7770	4788.1
					D2506S	156	C	800	4200					5000	3061.5
					D2507S	472	F	1670						1950	3612.6
<b>TOTAL MASS OF STAINLESS STEEL REINFORCING FOR ONE (1) DECK = 30,666.6 kg</b>															

NOTE:

- ALL DIMENSIONS GIVEN IN BENDING DIAGRAM ARE OUT TO OUT, EXCEPT RADII WHICH ARE INSIDE DIMENSIONS. ALL REINFORCING STEEL BENDS AND HOOKS SHALL CONFORM TO CLAUSE 6.6.2 OF C.S.A. A23.1-19, UNLESS NOTED OTHERWISE IN THE BILL OF REINFORCING STEEL.
- ALL REINFORCING STEEL SHALL BE DEFORMED STEEL, UNLESS NOTED OTHERWISE IN THE BILL OF REINFORCING STEEL.
- ALL STAINLESS STEEL REINFORCING SHALL CONFORM TO ASTM A955M, 300 SERIES MINIMUM GRADE 420.
- LIKE BARS SHALL BE BUNDLED, SECURELY TIED AND IDENTIFIED AS TO MARK AND SITE NO. BY APPROPRIATE MEANS. ALL OTHER ITEMS TO BE IDENTIFIED IN A SIMILAR FASHION.
- UNLESS OTHERWISE NOTED, PIN DIAMETERS SHALL BE SIMILAR AT ALL BENDS AND HOOKS OF A BAR IN ACCORDANCE WITH THE FOLLOWING DETAIL:



C SECTION - BRIDGE DECK SLAB REINFORCEMENT  
1:25



1 DETAIL  
1:15

U:\11373340\0300\_drawing\0300\_drawing.dwg  
 2019/10/18 11:17 AM By: baronmarts\_jamies

**APECM**  
Certificate of Authorization  
Stantec Consulting Ltd.  
No. 1301

**METRIC**  
WHOLE NUMBERS INDICATE MILLIMETRES  
DECIMALIZED NUMBERS INDICATE METRES

LOCATION APPROVED UNDERGROUND STRUCTURES

SUPV. U/G STRUCTURES COMMITTEE DATE

NOTE:  
LOCATION OF UNDERGROUND STRUCTURES AS SHOWN ARE BASED ON THE BEST INFORMATION AVAILABLE BUT NO GUARANTEE IS GIVEN THAT ALL EXISTING UTILITIES ARE SHOWN OR THAT THE GIVEN LOCATIONS ARE EXACT. CONFIRMATION OF EXISTENCE AND EXACT LOCATION OF ALL SERVICES MUST BE OBTAINED FROM THE INDIVIDUAL UTILITIES BEFORE PROCEEDING WITH CONSTRUCTION.

NO.	REVISIONS	DATE	BY
1	ISSUED FOR ADDENDUM 1	19.10.17	J.H.
0	ISSUED FOR TENDER	19.09.18	J.M.B.

B.M. ELEV.	
DESIGNED BY	H.M.V.
CHECKED BY	C.D.
DRAWN BY	J.M.B.
APPROVED BY	K.S.A.
HOR. SCALE:	1:50 OR
VERTICAL:	AS NOTED
RELEASED FOR CONSTRUCTION:	
DATE	2019.10.18

**Stantec**  
500 - 311 Portage Avenue, Winnipeg MB Canada  
www.stantec.com

ENGINEER'S SEAL

**TENDER DRAWING**

NOT TO BE USED FOR CONSTRUCTION

CONSULTANT DRAWING NO. S-109

**THE CITY OF WINNIPEG**  
PUBLIC WORKS DEPARTMENT  
ENGINEERING DIVISION

DUBLIN AVENUE BRIDGE REPLACEMENT		SHEET 12 OF 48
PROPOSED BRIDGE STRUCTURE		CAD FILE DRAWING NUMBER 33340s-108-926.dwg
DECK REINFORCING DETAILS		CITY DRAWING NUMBER B105-19-12