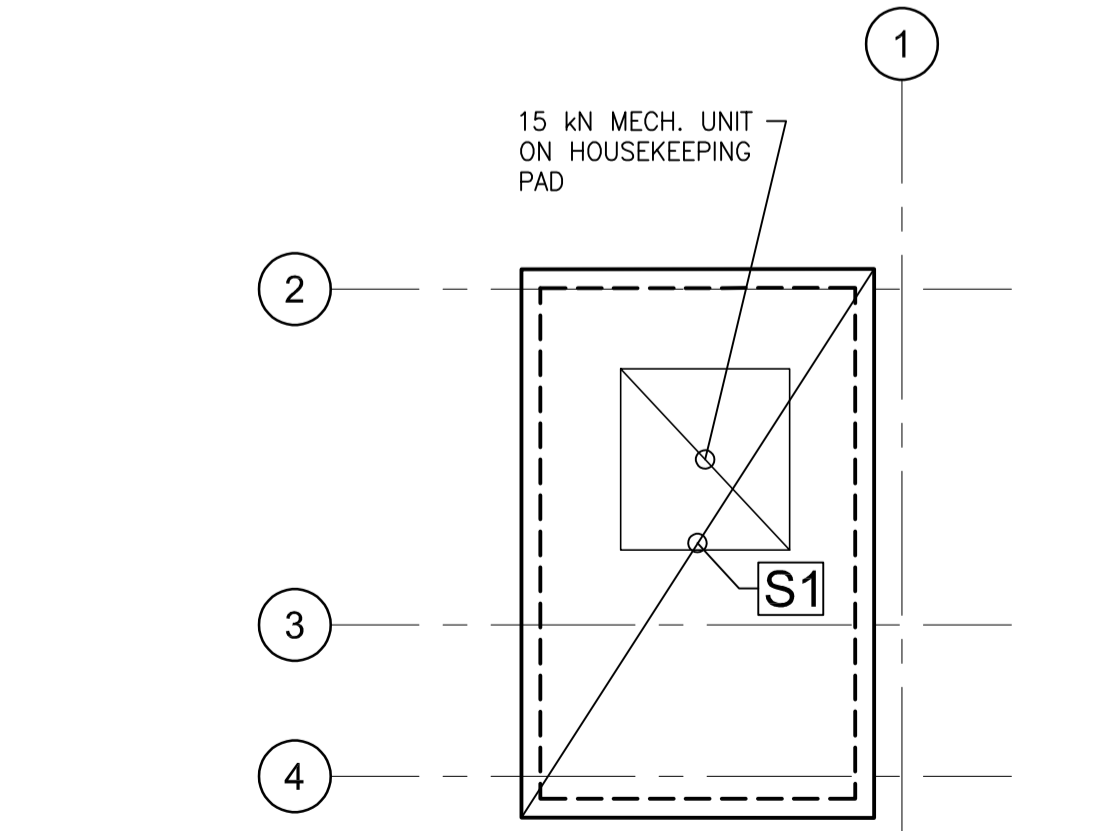


1R1 MAIN FLOOR FRAMING PLAN
 SCALE: 1:100
 LIVE LOAD: 7.2 kPa
 DEAD LOAD: 3.35 kPa - HOLLOWCORE SELF WEIGHT
 1.80 kPa - TOPPING
 1.00 kPa - PARTITIONS
 0.50 kPa - MECHANICAL & ELECTRICAL
 TOTAL: 6.65 kPa



2 MAIN FLOOR FRAMING PLAN
 SCALE: 1:100

GRADE BEAM SCHEDULE			
MARK	GB1	GB2	GB3
SIZE	250x900mm + 125mm WIDE UP-STAND	250x900mm + 390mm TALL CURB	335x900mm + 390mm TALL CURB
GRADE BEAM REINFORCEMENT	2-25M TOP 2 ROWS 2-25M BOT 10M STIRRUPS @350mm O/C	2-25M TOP 2 ROWS 2-25M BOT 10M STIRRUPS @350mm O/C	2-25M TOP 2 ROWS 2-25M BOT 10M STIRRUPS @350mm O/C
UP-STAND REINFORCEMENT	1-15M TOP + 10M HAIRPIN @300mm O/C MAX.	2-15M TOP + 10M U-BAR @300mm O/C TYP.	2-15M TOP + 10M U-BAR @300mm O/C TYP.
SECTION			
SKIN REINFORCING	10M @200mm	10M @ 200mm	10M @ 200mm

NOTES:
 - SEE PLAN FOR ADDITIONAL REINFORCEMENT.
 - VOID TO BE CARDBOARD OR COMPRESSIBLE EXPANDED POLYSTYRENE PRODUCT. VOID FORM MATERIAL THICKNESS WILL VARY DEPENDING ON TYPE USED. RESULTING VOID MUST BE MINIMUM 300mm.
 - CONTRACTOR TO SUBMIT PROPOSED VOID PRODUCT SPECIFICATIONS TO TOWER ENGINEERING FOR REVIEW AND APPROVAL PRIOR TO PLACEMENT.
 - CONTRACTOR TO CONFIRM UP-STAND HEIGHTS WITH HOLLOWCORE CAMBER AND TOPPING.

CONC. SLAB SCHEDULE	
MARK	SIZE
S1	200mm THICKENED EDGE SLAB ON GRADE R/W 15M @400mm O/C BOTH WAYS T&B

HOLLOWCORE SCHEDULE	
MARK	DEPTH
HC1	254mm

NOTES:
 - HOLLOWCORE TO HAVE A BROOM FINISH SURFACE.
 - ALL HOLLOWCORE W/ 76mm MIN. CONCRETE TOPPING AT MID-SPAN R/W 152x152 MW9.1/9.1 W.W.M. C/W EXPANDED POLYSTYRENE FLOOR PANELS (SEE ARCHITECTURAL & MECHANICAL).
 - CONCRETE TOPPING TO BE BONDED TO HOLLOWCORE SURFACE AS PER 7.6.4.2.2 OF CSA STANDARD A23.1-09.
 - TOPPING IS ASSUMED TO BE NON-COMPOSITE (FOR HOLLOWCORE DESIGN)
 - COORDINATE W/ ARCH., MECH., AND ELEC. FOR EXACT SIZE AND LOCATIONS OF ALL FLOOR OPENINGS.

CONC. WALL SCHEDULE		
MARK	SIZE	REINFORCEMENT
CW1	300mm	2-20M TOP&BOT. 15M VERT. @250mm O/C E/F OUTER LAYER 15M HORIZ. @250mm O/C E/F INNER LAYER

NOTE:
 - PROVIDE 300mm VOID BELOW CONCRETE WALLS, GRADE BEAMS, AND PILE CAPS TYP. U.N.O.
 - VOID TO BE CARDBOARD OR COMPRESSIBLE EXPANDED POLYSTYRENE PRODUCT. VOID FORM MATERIAL THICKNESS WILL VARY DEPENDING ON TYPE USED. RESULTING VOID MUST BE MINIMUM 300mm.
 - CONTRACTOR TO SUBMIT PROPOSED VOID PRODUCT SPECIFICATIONS TO TOWER ENGINEERING FOR REVIEW AND APPROVAL PRIOR TO PLACEMENT.

WELD PLATE SCHEDULE	
WP1	WP2
FOR BEAM SIZE W460	FOR BEAM SIZE W310
400x650x20mm PLATE C/W 9-20# x150LG. N.S.A + 2-15M DOWELS + 1-20M x900LG @HOOKS.	6-20# x150LG. N.S.A.

No.	Date	Issue / Revision	By
6.	2019-08-08	Addendum No. 01	LHT
5.	2019-07-08	Issued for Construction	LHT
4.	2019-06-26	Issued for 100% Pre-Tender Review	LHT
3.	2019-05-13	Issued for Pre-Tender Review	LHT
2.	2019-02-22	Design Development	LHT
1.	2018-12-17	Schematic Design Review	LHT

Drawn By: BKF
 Printing Date:

TOWER PROJECT NO. : 181335
TOWER ENGINEERING GROUP
 UNIT 1-1140 WAVERLEY ST. WINNIPEG, MB R3T 0P4
 TEL: (204) 925-1150 FAX: (204) 925-1155
 EMAIL: towereng@towereng.ca WEB: www.towereng.ca
 • WINNIPEG • CALGARY

These design documents are prepared solely for the use by the party with whom the design professional has entered into a contract and their use for any other purpose or any kind made by the design professional to any party with whom the design professional has not entered into a contract. Any use of the drawings, data or electronic data without the expressed written permission of Tower Engineering Inc. is strictly prohibited. The contractor is responsible to verify all dimensions with conditions on the site and report discrepancies to Tower Engineering for adjustment. All prints to be returned.

LM Architectural Group
 500-136 Market Ave
 Winnipeg, Manitoba
 Canada R3B 0P4
 t: (204) 943.0671
 f: (204) 943.8676
 www.lm-architects.com

APEGM
 Certificate of Authorization
 Tower Engineering Group
 No. 4156 Expiry: April 30, 2020

Drawings and specifications, as instruments of service are the property of the architects, the copyright in the same being reserved to them. No reproduction may be made without the permission of the architects, and when made, must bear their names. All prints to be returned.
 The contractor is to verify dimensions and data noted herein with conditions on the site and is held responsible for reporting any discrepancy to the architects for adjustment.

Bill and Helen Norrie Library
 Project No.: 2017-082
 Tender No.: 542-2019
 Address: 15 Poseidon Bay, Winnipeg, MB.

Main Floor Framing Plan