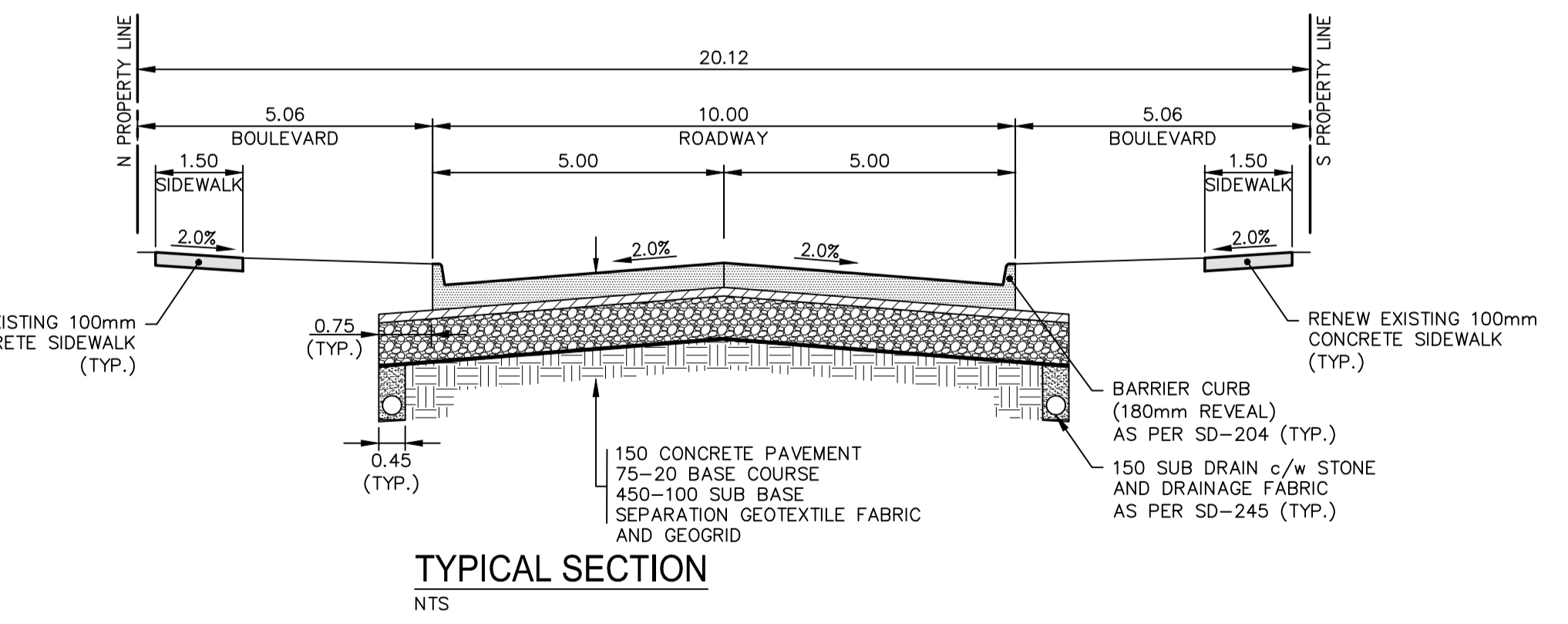


- NOTES:**
1. ALL WORK AND MATERIALS TO BE IN ACCORDANCE WITH THE LATEST REVISION OF THE CITY OF WINNIPEG STANDARD CONSTRUCTION SPECIFICATIONS.
 2. CONTRACTOR TO CONFIRM THE LOCATION OF ALL UTILITIES/SERVICES IN THE FIELD PRIOR TO CONSTRUCTION.
 3. ALL ROADWAY DIMENSIONS SHOWN ARE TO BACK OF CURB.
 4. RENEW CURB AND SIDEWALK AS IDENTIFIED BY CONTRACT ADMINISTRATOR.
 5. ALL PRIVATE WALKWAYS TO BE ADJUSTED TO NEW SIDEWALK OR TOP OF CURB ELEVATION, AS DIRECTED BY THE CONTRACT ADMINISTRATOR.
 6. ADJUST MH FRAMES, CB RIMS, AND VALVES TO NEW GRADES, AS REQUIRED.
 7. MODIFIED BARRIER CURB TO BE CONSTRUCTED AT ALL INTERSECTION RADII AND BACK LANE RADII.
 8. INSTALL 40mm LIP CURB THROUGH ALL RESIDENTIAL APPROACHES.
 9. LAMP STANDARDS, HYDRO POLES, AND ANCHORS THAT REQUIRE TEMPORARY SUPPORT, REMOVAL OR REPLACEMENT, TO BE DONE SO AT THE EXPENSE OF THE CONTRACTOR AS NECESSARY.
 10. CONTRACTORS TO TAKE PRECAUTIONARY STEPS TO PROTECT EXISTING TREES WITHIN THE LIMITS OF CONSTRUCTION FROM DAMAGE FROM CONSTRUCTION ACTIVITIES AS OUTLINED IN THE SPECIFICATIONS.
 11. ALL BOULEVARDS TO BE SODDED UNLESS OTHERWISE NOTED.
 12. ADJUST ALL WATER VALVES, HYDRANTS, MANHOLES, AND CATCH BASINS IN WORK AREA TO GRADE.

| EXISTING | LEGEND-PLAN | PROPOSED | EXISTING | LEGEND-PLAN | PROPOSED | EXISTING | LEGEND-PROFILE | PROPOSED |
|-----------|---------------------|-----------|----------|----------------------------------|----------|----------|----------------|----------|
| --- | WATER MAIN | --- | --- | IRON BAR | --- | --- | --- | --- |
| --- | LAND DRAINAGE SEWER | --- | --- | HYDRO POLE & LIGHT STANDARD | --- | --- | --- | --- |
| --- | WASTE WATER SEWER | --- | --- | LIGHT STANDARD OR TRAFFIC SIGNAL | --- | --- | --- | --- |
| --- | HYDRO | --- | --- | HYDRO POLE | --- | --- | --- | --- |
| --- | M.T.S. | --- | --- | CURB RAMP | --- | --- | --- | --- |
| --- | GAS | --- | --- | DETECTABLE WARNING SURFACE TILE | --- | --- | --- | --- |
| --- | SIGNALS | --- | --- | EDGE OF SIDEWALK | --- | --- | --- | --- |
| ○ | MANHOLE | ● | --- | FENCE | --- | --- | --- | --- |
| □ | CATCH BASIN | ■ | --- | PROPERTY LINE | --- | --- | --- | --- |
| △ | CURB INLET | ▽ | --- | EDGE OF ASPHALT | --- | --- | --- | --- |
| △ □ ○ | UTILITIES ADJUSTED | △ □ ○ | --- | EDGE OF CONCRETE | --- | --- | --- | --- |
| ┘ | PLUG | ┘ | --- | MODIFIED BARRIER CURB | --- | --- | --- | --- |
| ◇ | HYDRANT | ◆ | --- | BARRIER CURB | --- | --- | --- | --- |
| ⊗ | VALVE | ⊗ | --- | BARRIER CURB AND GUTTER | --- | --- | --- | --- |
| ┘ | CURB STOP | ┘ | --- | CONC SIDEWALK | --- | --- | --- | --- |
| --- | GROUND GRADE | --- | --- | CONCRETE SLAB | --- | --- | --- | --- |
| (231.000) | PAVEMENT GRADE | (231.000) | --- | ASPHALT | --- | --- | --- | --- |
| --- | ANCHOR | --- | --- | MILLED SURFACE | --- | --- | --- | --- |
| #111 | CIVIC ADDRESS | --- | --- | ASPHALT JOINT REPAIR | --- | --- | --- | --- |



LOCATIONS APPROVED UNDERGROUND STRUCTURES

SIGNED BY: _____ DATE: _____

LOCATION OF UNDERGROUND STRUCTURES AS SHOWN ARE BASED ON THE BEST INFORMATION AVAILABLE BUT NO GUARANTEE IS GIVEN THAT ALL EXISTING UTILITIES ARE SHOWN OR THAT THE GIVEN LOCATIONS ARE EXACT CONFIRMATION OF EXISTENCE AND EXACT LOCATION OF ALL SERVICES MUST BE OBTAINED FROM THE INDIVIDUAL UTILITIES BEFORE PROCEEDING

| | | | |
|--------|-----------------------------------------------------------------------------------------------------------|-------------------------------------------------------------------------------------------------------------------------------------|-----------------|
| G.S.M. | 232.893 | WSP Canada Group Limited Suite 111 - 93 Lombard Ave Winnipeg, MB R3B 3B1 t. 204.943.3178 f. 204.943.4948 www.wsp.com | |
| ELEV. | BENCHMARK LOCATION: TOP OF TOP NUT ON HYDRANT AT NORTHEAST CORNER OF WELLINGTON AVENUE AND BANNING STREET | DESIGNED BY | K.G./L.V. |
| H | - | CHECKED BY | V.M. |
| G | - | DRAWN BY | S.B. |
| F | - | APPROVED BY | S.M. |
| E | - | ISSUED FOR ADDENDUM_1 | 2019/12/13 R.H. |
| D | - | ISSUED FOR TENDER | 2019/02/09 R.H. |
| C | - | DETAILED DESIGN REVIEW | 2019/02/09 K.G. |
| B | - | PRELIMINARY DESIGN REVIEW | 2019/02/05 K.G. |
| A | - | NO. REVISIONS | DATE BY |
| NO. | REVISIONS | DATE | BY |

FOR TENDER PURPOSES ONLY
NOT FOR CONSTRUCTION

WSP

THE CITY OF WINNIPEG
PUBLIC WORKS DEPARTMENT
ENGINEERING SERVICES DIVISION

2019 STREET RENEWAL PROGRAM
WELLINGTON AVENUE
CONCRETE RECONSTRUCTION
STA. 0+71.42 TO STA. 2+05

CITY DRAWING NUMBER: ---
SHEET: 12 OF 13
BID NO.: 1271-2019

CONSULTANT ACAD DWG. NO.: 18M-01969-00-39

Dec 16, 2019 - 9:22am P:\2018\18M-01969-00 - 2019 Local Streets Package-19-R-03\Contract 2\10 Drawings\03 Working Drawings\18M-01969-00 Wellington Ave Plan&Profile.dwg -tab:1271-2019-Drawing_18M-01969-00-39-RD