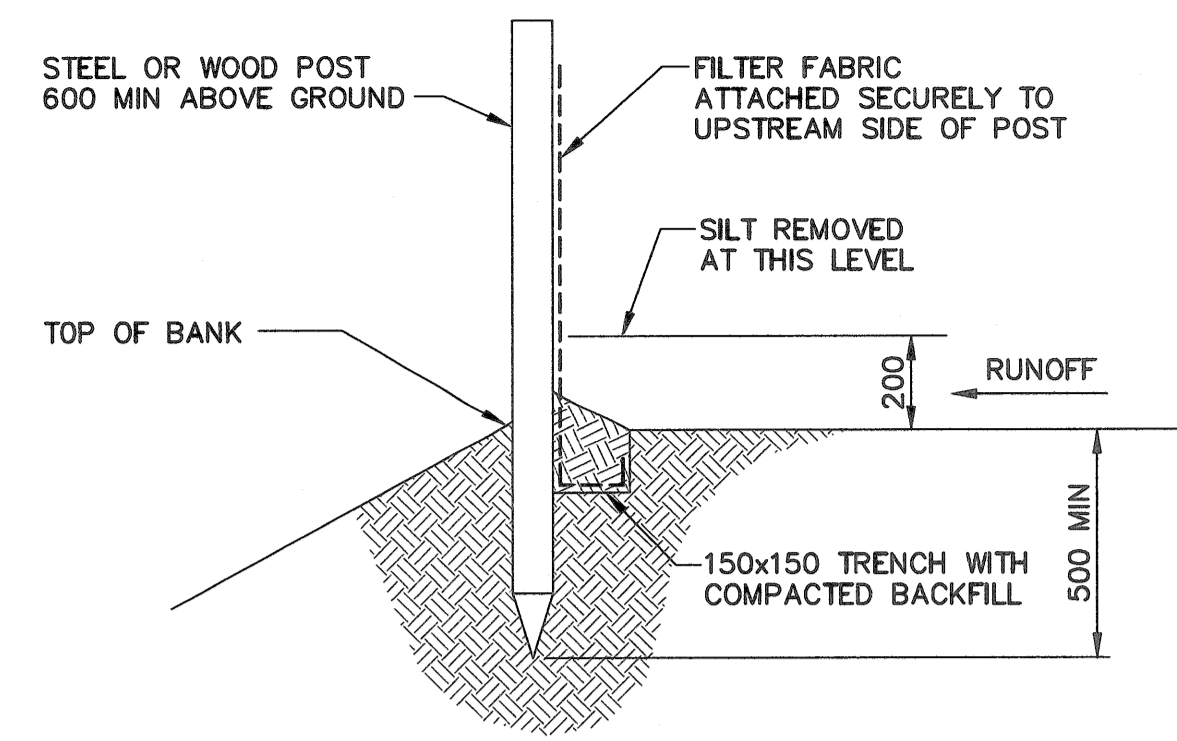
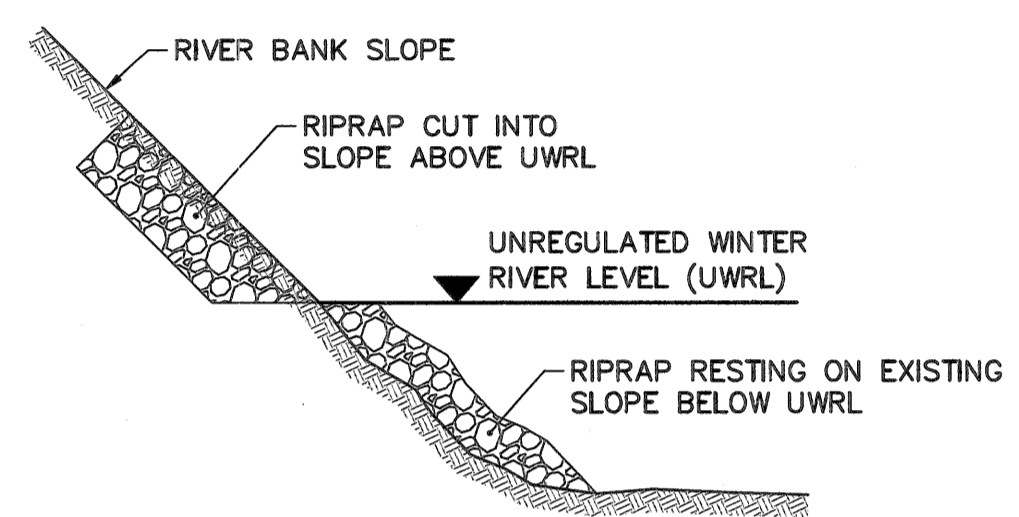


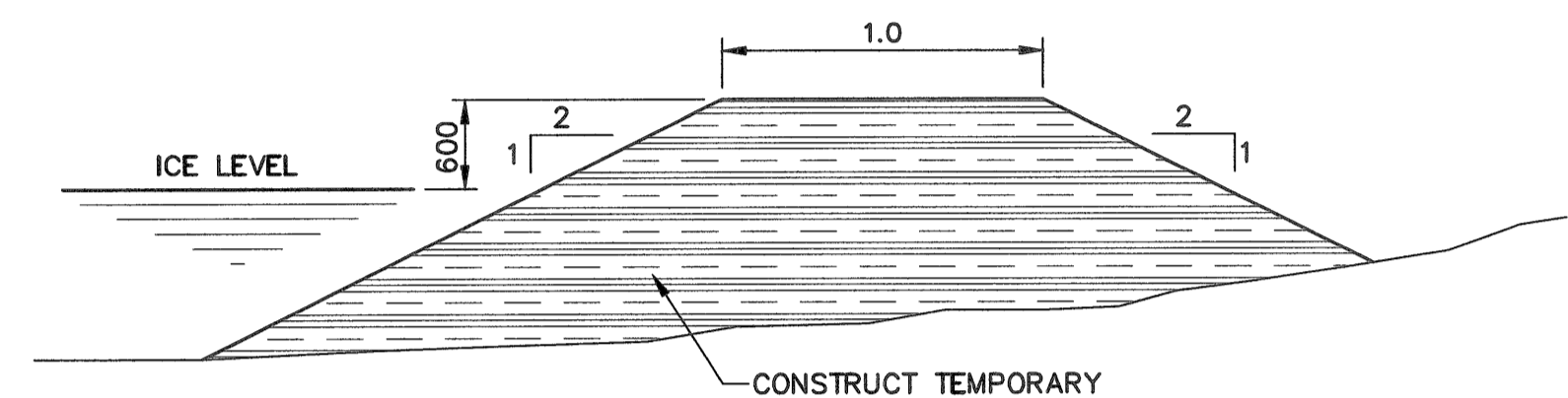
SILT FENCE
SCALE: N.T.S.



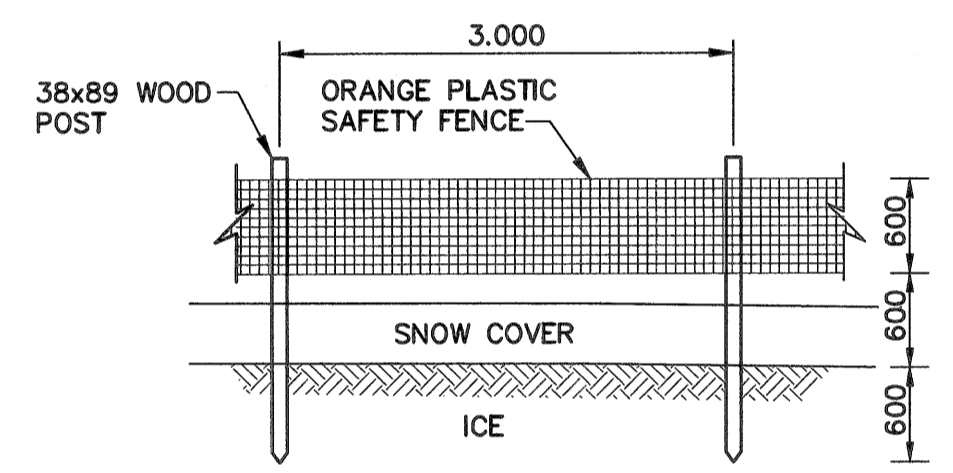
SECTION A - A
SCALE: N.T.S.



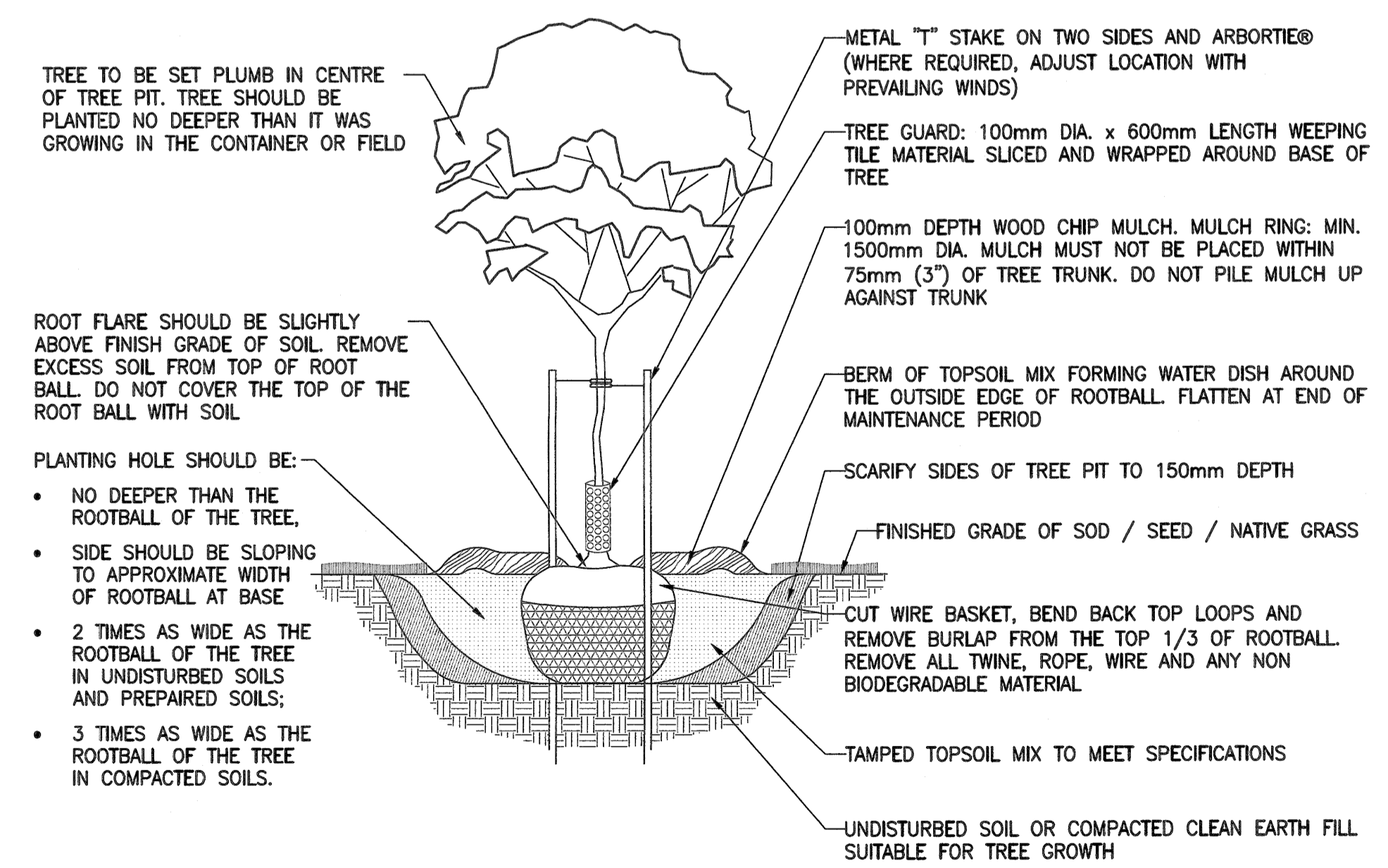
RIPRAP DETAIL
SCALE: N.T.S.



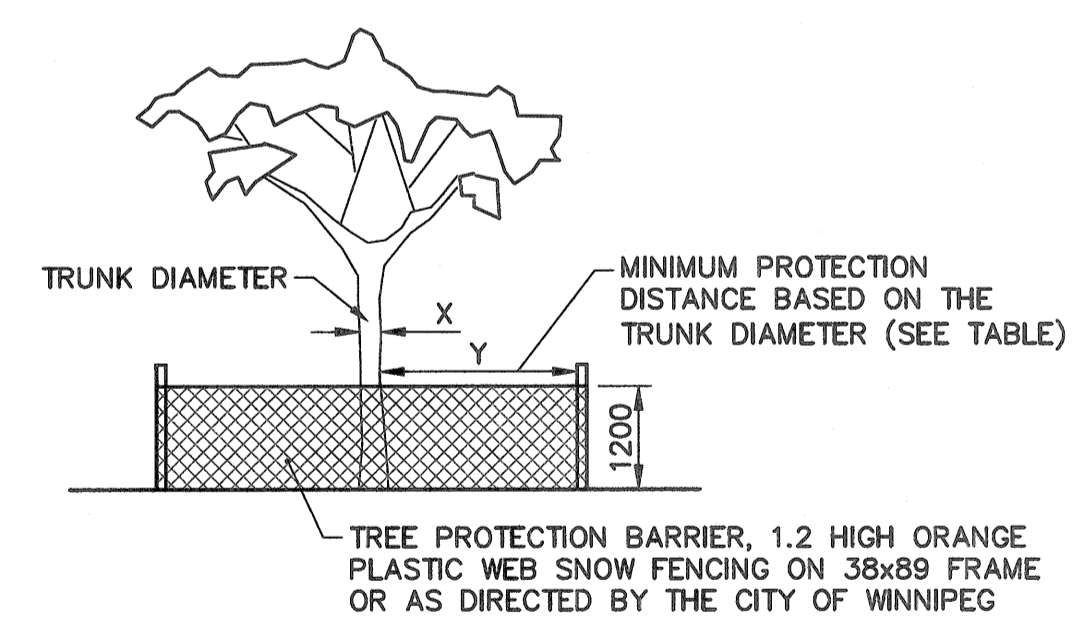
COFFERDAM DETAIL
SCALE: N.T.S.



SAFETY FENCE DETAIL
SCALE: N.T.S.

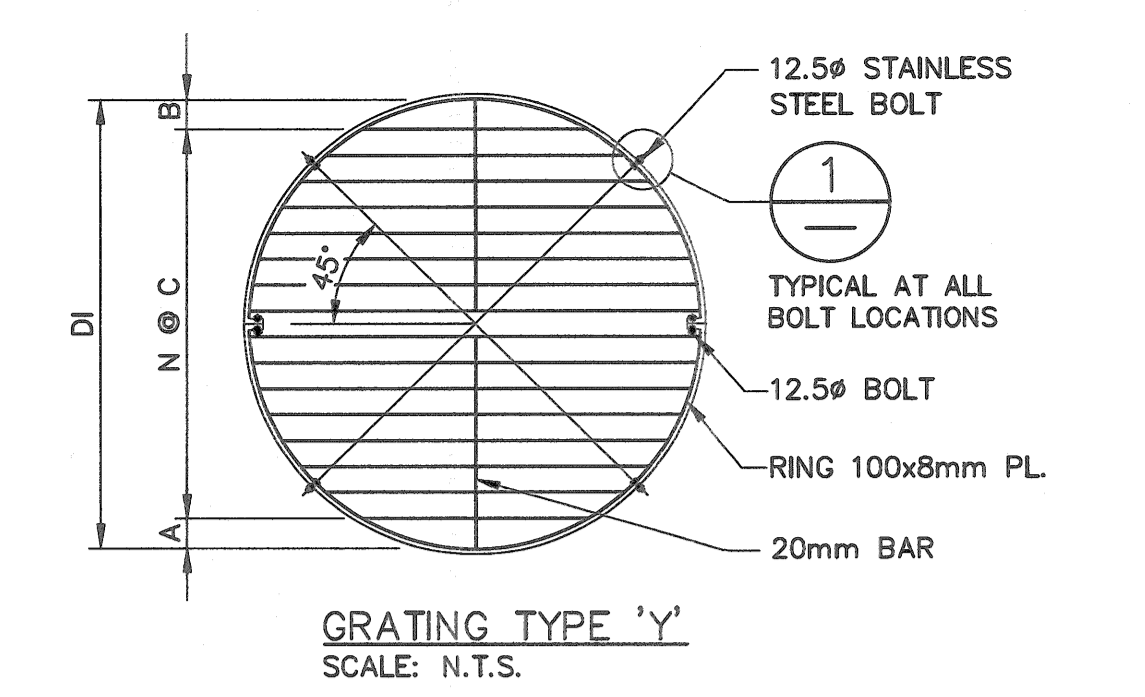


TYPICAL DECIDUOUS TREE PLANTING DETAIL
SCALE: N.T.S.

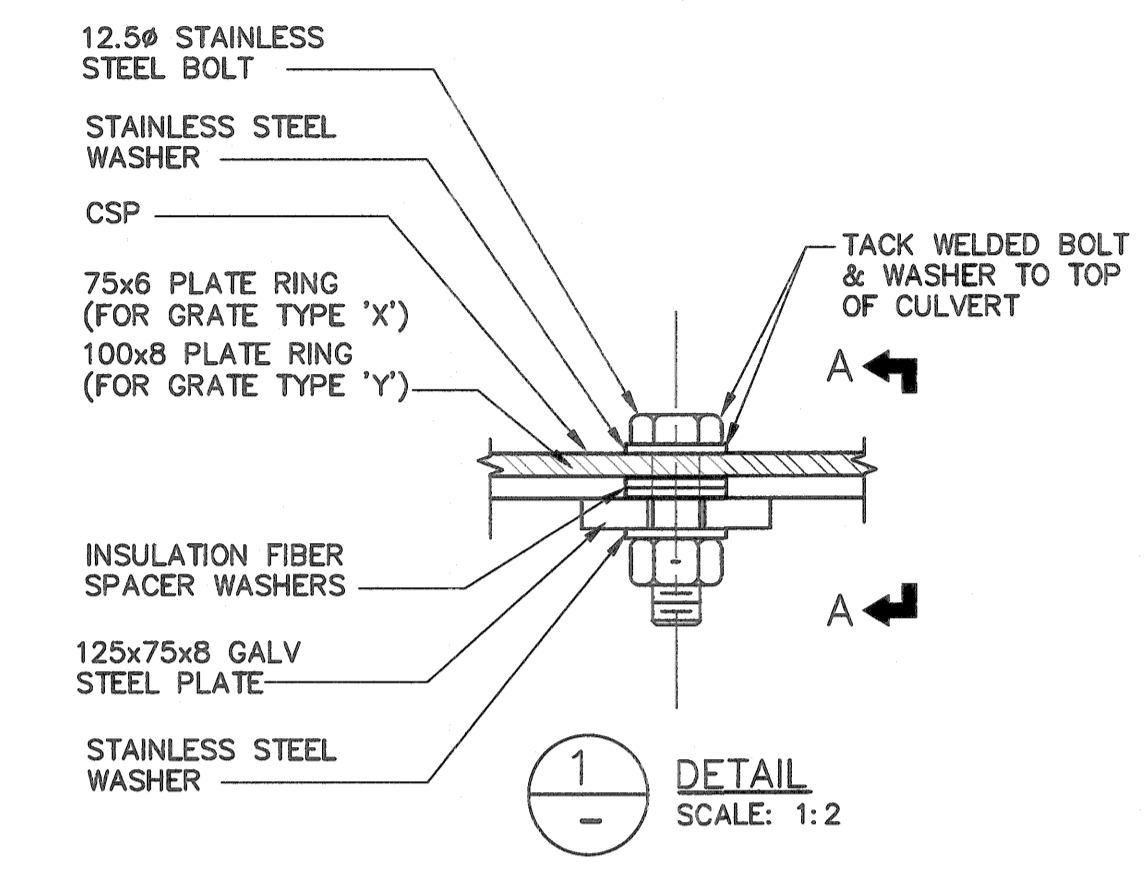


TREE PROTECTION ZONES	
X=TRUNK DIAMETER	Y=MINIMUM PROTECTION DISTANCE REQUIRED
< 100	2.0
110 - 400	2.4
410 - 500	3.0
510 - 600	3.8
610 - 700	4.2
710 - 800	4.8
810 - 900	5.4
910 - 1000	6.0

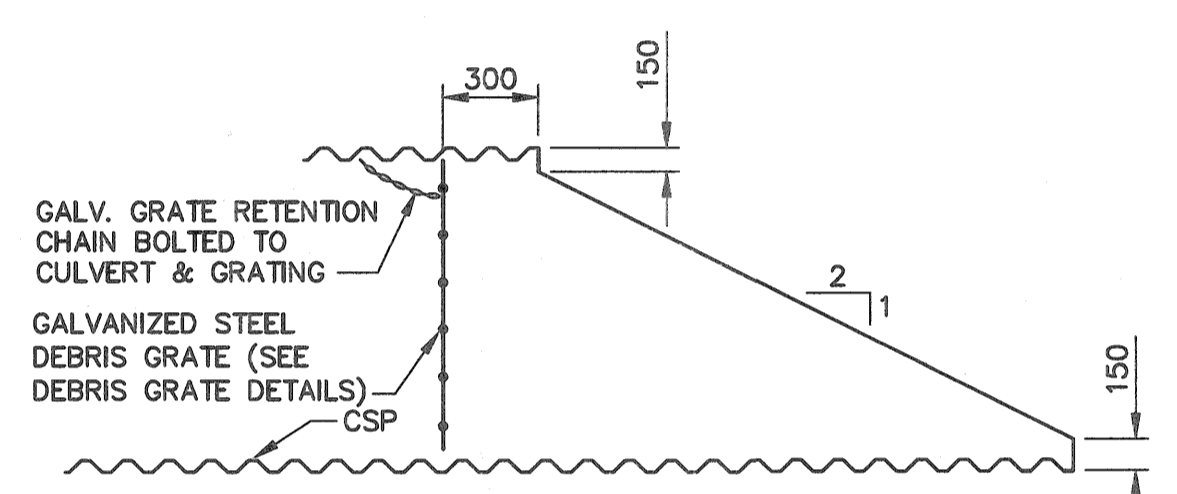
TREE PROTECTION DETAIL
SCALE: N.T.S.



GRATING TYPE 'Y'
SCALE: N.T.S.



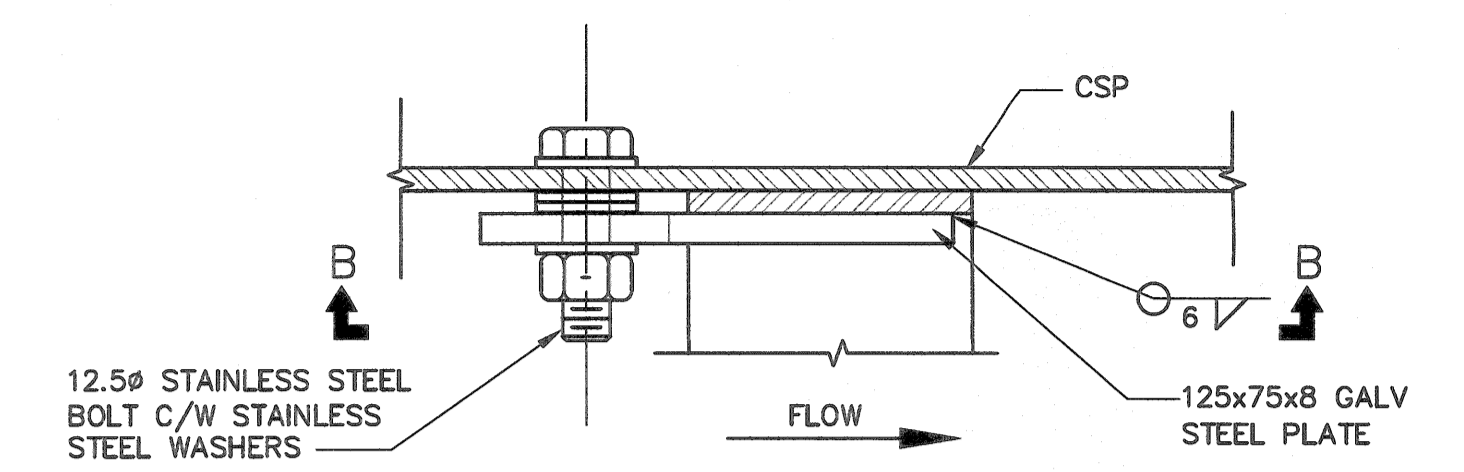
DETAIL
SCALE: 1:2



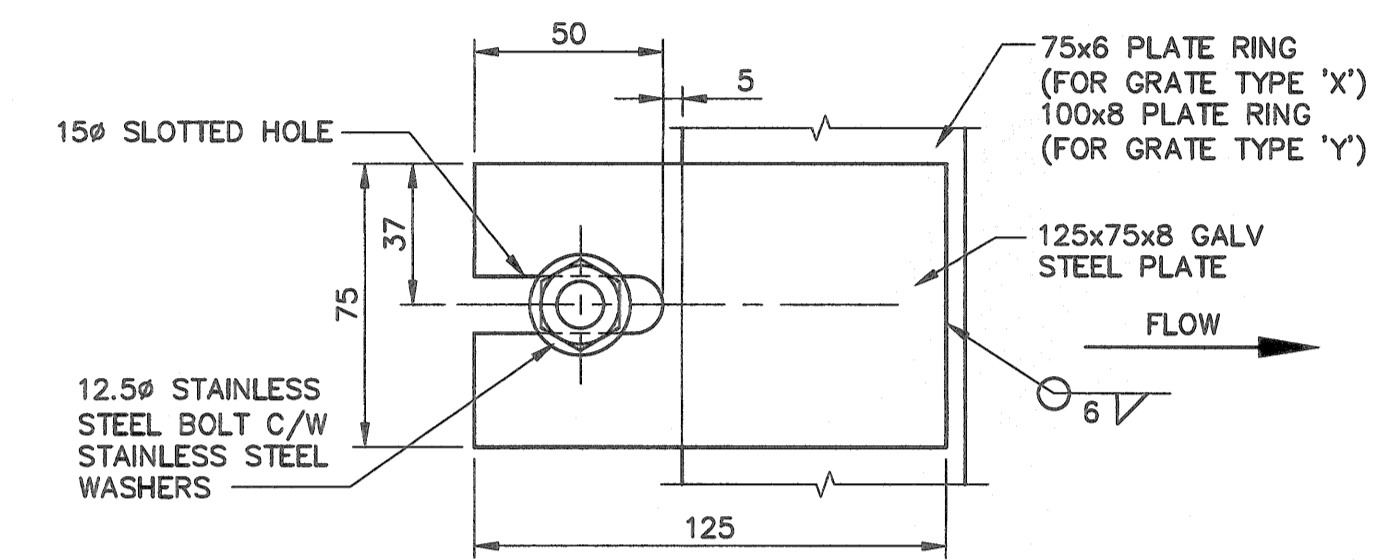
PIPE END CONDITION-2
SCALE: N.T.S.

LOCATION	PIPE		END CONDITION	GRATING						WEIGHT (lbs)	
	DIAMETER D	MATERIAL		DIAMETER D1	TYPE	BAR DIA.	A	B	C		N
LODGE AVENUE (S-MA20003886)	1970	CMP	2	1955±	Y	25	155	150	150	11	260

- NOTE:**
- ALL PLATES AND BARS ARE CSA G40.21-300W.
 - ALL COMPONENTS ARE GALVANIZED.
 - ALL BOLTS TO BE TYPE 316 STAINLESS STEEL CONFORMING TO ASTM A320 GRADE 88M

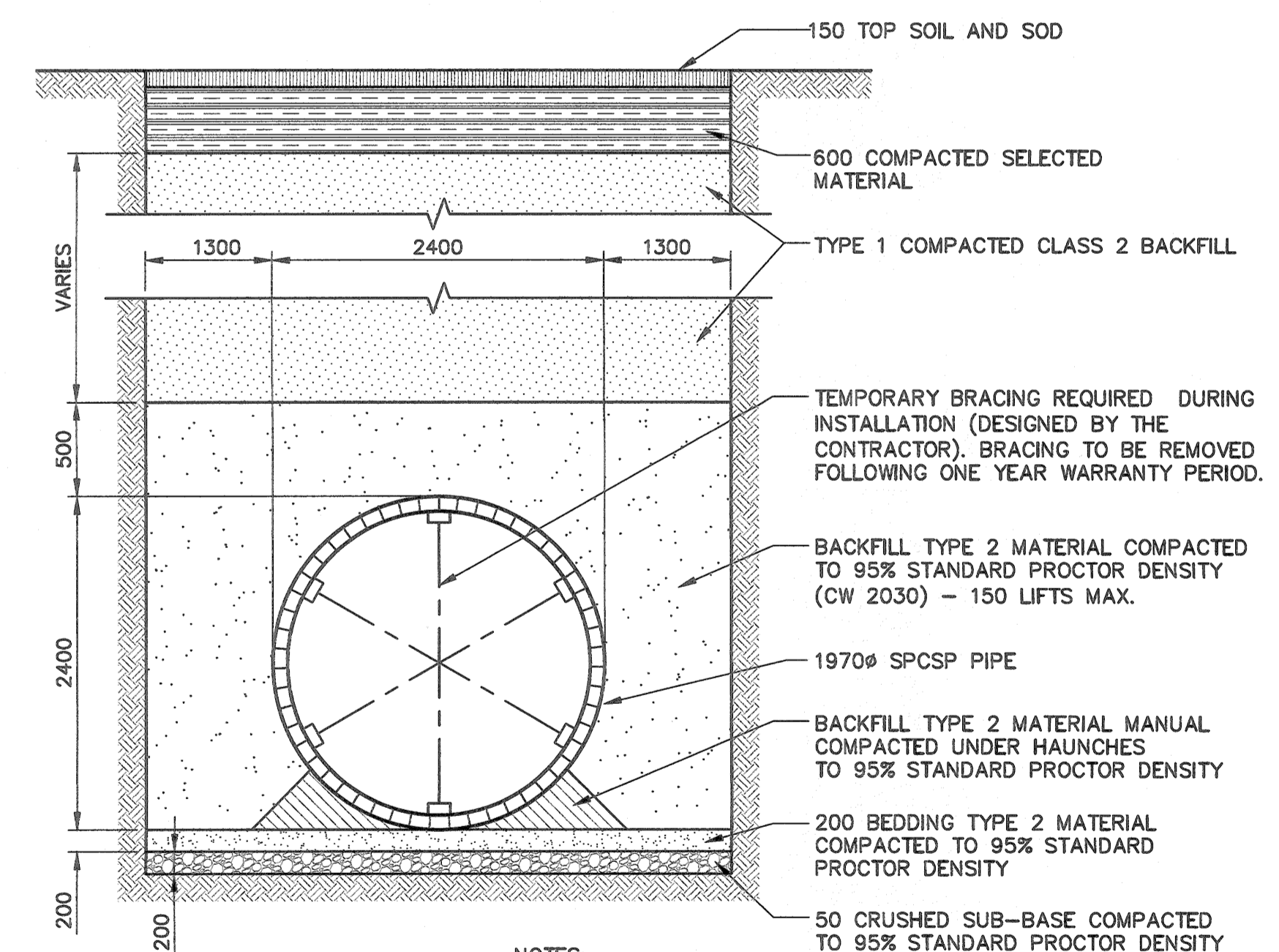


SECTION A-A
SCALE: 1:2



SECTION B-B
SCALE: 1:2

DEBRIS GRATE DETAILS
SCALE: N.T.S.



- NOTES:**
- NO STOCKPILING OF MATERIAL WITHIN 76.2 OF (N.S.R.L.). ALL EXCAVATED MATERIAL TO BE REMOVED FROM SITE.
 - THE CONTRACTOR SHALL PROVIDE TEMPORARY SHORING WHERE REQUIRED IN ACCORDANCE WITH SPECIFICATIONS.
 - CONTRACTOR SHALL SUPPLY HEATING AND HOARDING TO ACHIEVE COMPACTION OF BEDDING AND BACKFILL.

PIPE BEDDING DETAIL
SCALE: N.T.S.

FOR INDEX PAGE
SEE DWG LD-9566

ENGINEERS GEOSCIENTISTS MANITOBA
Certificate of Authorization
KGS Group
No. 245

ENGINEER'S SEAL
PROVINCE OF MANITOBA
R.B. OFFMAN
Member 24701
REGISTERED PROFESSIONAL ENGINEER

THE CITY OF WINNIPEG
WATER AND WASTE DEPARTMENT
ENGINEERING DIVISION

LODGE AVENUE OUTFALL
RENEWAL AND REHABILITATION

MISCELLANEOUS DETAILS

SHEET 7 OF 7
CITY DRAWING NUMBER

LD-9569

LOCATION APPROVED UNDERGROUND STRUCTURES		B.M. ELEV.
SUPV. U/G STRUCTURES COMMITTEE	DATE	
NOTE: LOCATION OF UNDERGROUND STRUCTURES AS SHOWN ARE BASED ON THE BEST INFORMATION AVAILABLE BUT NO GUARANTEE IS GIVEN THAT ALL EXISTING UTILITIES ARE SHOWN OR THAT THE GIVEN LOCATIONS ARE EXACT. CONFIRMATION OF EXISTENCE AND EXACT LOCATION OF ALL SERVICES MUST BE OBTAINED FROM THE INDIVIDUAL UTILITIES BEFORE PROCEEDING WITH CONSTRUCTION.		
NO.	REVISIONS	DATE BY
1	REISSUED FOR TENDER	2019 11 25
0	ISSUED FOR TENDER	2019 11 15 RBO

DESIGNED BY		CHECKED BY	
NGV		RBO	
DRAWN BY		APPROVED BY	
GEL		RBO	
SCALE:		RELEASED FOR CONSTRUCTION	
HORIZONTAL AS NOTED		KZ	
VERTICAL NA			
DATE		DATE	
2019 11 25		2019 11 14	

PLOT DATE: 2019 11 25

TENDER No.: 1173-2019

FILE PATH: P:\Projects\2019\19-0107-011\Draw\Mun\

METRIC
WHOLE NUMBERS INDICATE MILLIMETRES
DECIMALIZED NUMBERS INDICATE METRES