

INSTRUMENT LOOP DIAGRAM

LOOP NO.

TE-041-HS-1
TE-041-HS-2
TE-041-HS-3

TE-041-MIL-1
TE-041-MIL-2

MCC

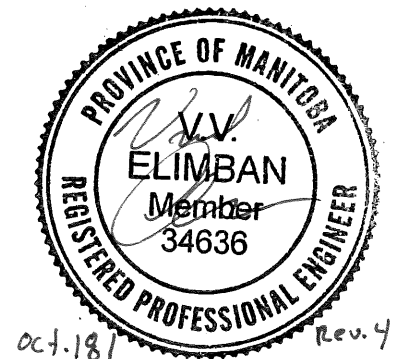
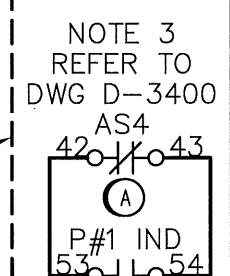
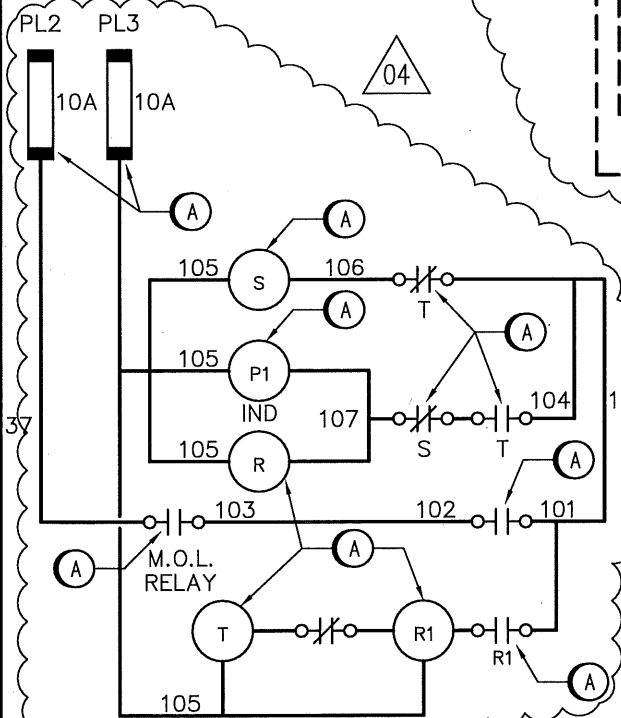
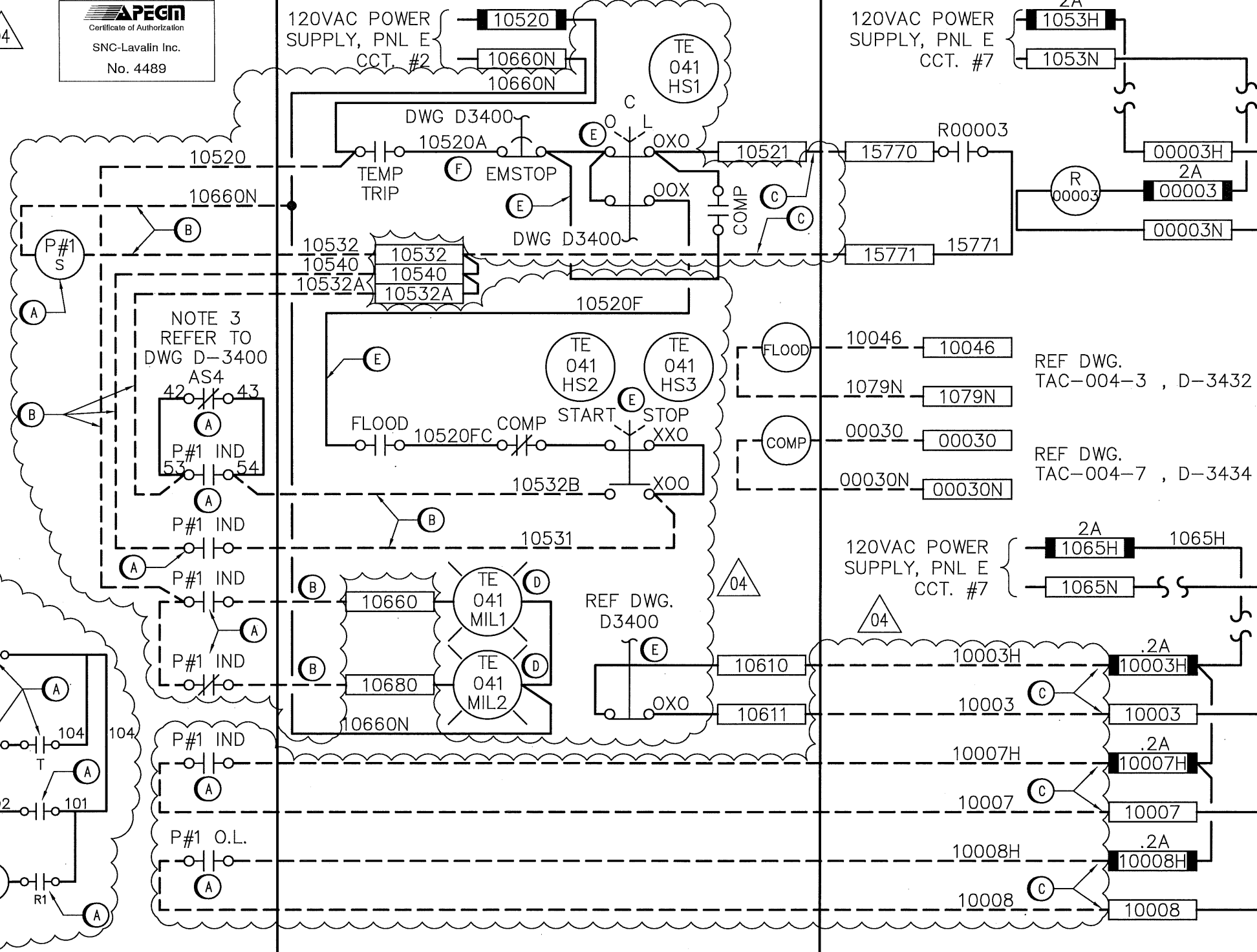
PUMP LOCAL CONTROL PANEL

MAIN CONTROL PANEL

PLC

DEMOLITION NOTES:

- (A) DISCONNECT AND REMOVE RELAY, TIMERS AND TERMINALS IN EXISTING MCC. PART OF MCC DEMOLITION PLAN.
- (B) DISCONNECT AND REMOVE ALL CABLES BETWEEN EXISTING MCC TO LCP-1 PANEL.
- (C) DISCONNECT AND REMOVE RUN, FAIL AND COMP STATUS SIGNAL WIRES IN MAIN CONTROL PANEL. DISCONNECT AND REMOVE CABLE BETWEEN EXISTING LCP TO MCP AND MCC.
- (D) DISCONNECT PILOT LIGHTS TE-041-MIL1 AND TE-041-MIL2. REMOVE INTERNAL WIRING TO TERMINAL. REPLACE EXISTING LAMACOID WITH BLANK LAMACOID. LIGHTS TO REMAIN AS SPARE.
- (E) DISCONNECT START/STOP AND OCL SELECTOR SWITCH AND REMOVE INTERNAL WIRING. REPLACE EXISTING START/STOP LAMACOID WITH BLANK LAMACOID. SWITCH TO REMAIN AS SPARE.
- (F) ONLY DISCONNECT EMSTOP WIRES SHOWN ON THIS DWG. REWIRE EMSTOP AS PER DWG. 1-0660M-E0020 001.



Oct. 18 / 2019 Rev. 4

- NOTE:**
- INSTALL TERMINAL BLOCKS AS REQ'D FOR NEW WIRING IF SPARES ARE NOT AVAILABLE.
 - OCL SELECTOR SHALL HAVE MAKE-BEFORE-BREAK OPERATION WHEN SWITCHING FROM C TO L AND FROM L TO C.
 - WIRING FROM DV VIA MCP TO LCP CONTACT CLOSED WHEN DV CLOSED

Reid Crowther Consulting Engineers		dp controls ltd. Calgary, Alberta		JOB NO. 3153	FILENAME D3404	
19.10.18	4	ISSUED FOR CONSTRUCTION	SB	95.08.03	1 AS-BUILT	PL
02.06.03	3	GENERAL REVISIONS	RWK	94.09.14	0 ISSUED FOR CONST.	PL
97.02.03	2	RCPL RECORD DRAWING	PS	94.08.26	A ISSUED FOR APPROVAL	PL
DATE	REVISION	APP.	DATE	REVISION	APP.	

THE CITY OF WINNIPEG
REGIONAL WATER SUPPLY SYSTEM
SUPERVISORY CONTROL AND DATA ACQUISITION

TACHE PUMPING STATION - MCP
PP#1 ELECTRIC PUMP DRIVE

SCALE _____
DATE 94.08.26
DES PL DWN LFB
CKD DN APP LK

DRAWING NO.
D-3404