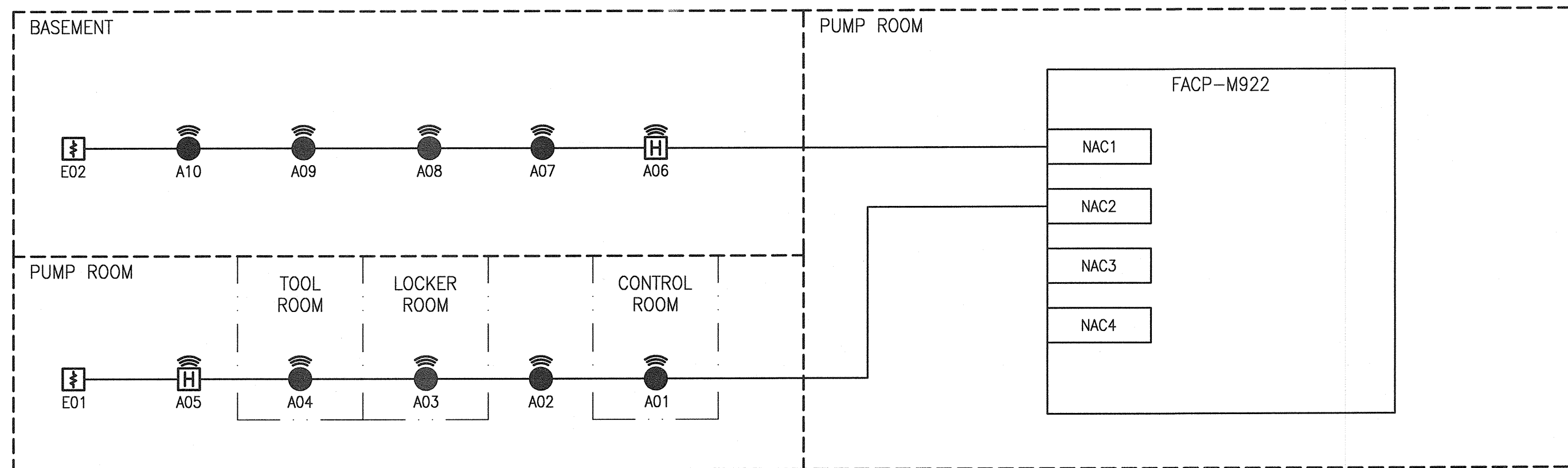


DETECTION CIRCUITS

ZONE DESCRIPTION	
ZONE	DESCRIPTION
M01	PUMPHOUSE BASEMENT
M02	PUMPHOUSE PUMP LEVEL



NOTIFICATION CIRCUITS

GENERAL NOTES:

1. DEVICE TAGS ARE SHOWN IN SHORTHAND NOTATION. FULL DEVICE TAG FORMAT IS FAS-X-YYY, WHERE X IS THE PROCESS AREA IDENTIFIER AND YYY IS THE DEVICE IDENTIFIER. EG. DETECTOR D01 IN CONTROL ROOM WILL BE DESIGNATED FAS-M-D01.
2. INSTALL AS PER CEC REQUIREMENTS.
3. ALL DEVICES ARE CONNECTED TO FIRE ALARM PANEL FACP-M922 LOCATED ON MAIN LEVEL.
4. UTILIZE A MINIMUM WIRE SIZE FOR NAC CIRCUITS OF 12 AWG, OR LARGER AS REQUIRED.

DRAWING NUMBER	REFERENCE DRAWINGS
1-0660M-A0005	LOOP DIAGRAM, FACP-M922 ALARMS
1-0660M-E0026-001	FIRE ALARM, LEGEND AND DETAILS
1-0660M-E0024-001	ELECTRICAL FIRE ALARM PLAN, BASEMENT
1-0660M-E0023-001	ELECTRICAL FIRE ALARM PLAN, PUMP ROOM



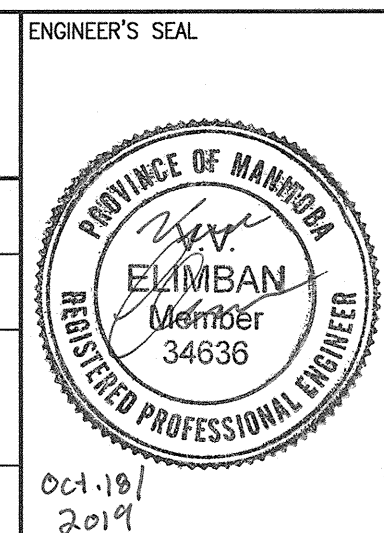
NO.	REVISIONS	DATE	DESIGN	CHECK
00	ISSUED FOR TENDER AND CONSTRUCTION	2019/10/18	VE	BC

SNC-LAVALIN INC.
148 Notre Dame St. W.
Winnipeg, MB, Canada R3P 0X7
204-786-8080

DESIGNED BY: V. ELIMBAN
DRAWN BY: C. DUBON
SCALE: NTS
DATE: 2019/07/12

CHECKED BY: B. CLEVEN
APPROVED BY: D. BECKER
ISSUED FOR CONSTRUCTION BY: A. WEISS
DATE: 2019/10/18

CONSULTANT NO.:



THE CITY OF WINNIPEG
Winnipeg WATER AND WASTE DEPARTMENT

TACHE BOOSTER PUMPING STATION

ELECTRICAL FIRE ALARM
RISER DIAGRAM
DETECTION AND NOTIFICATION CIRCUITS

CITY DRAWING NUMBER: 1-0660M-E0025
SHEET: 001
REV: 00
SIZE: A1