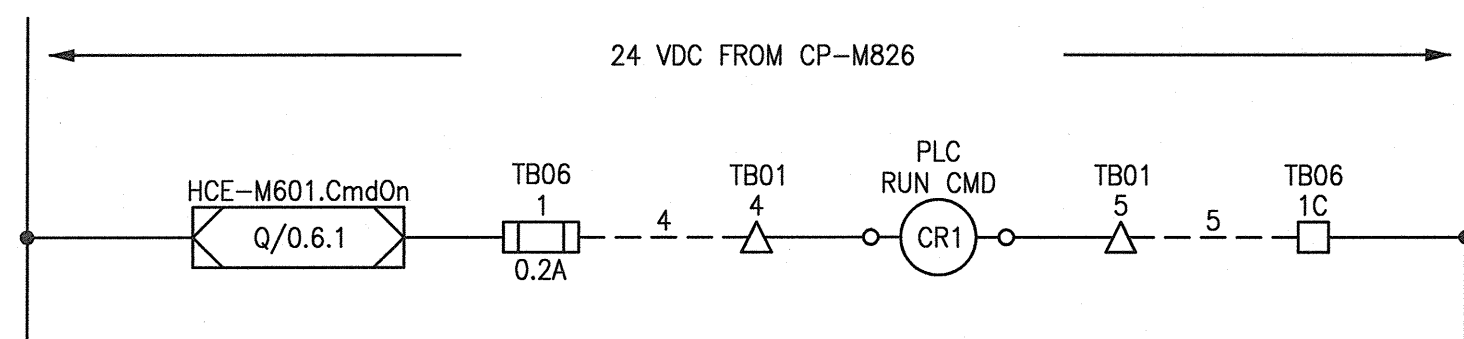
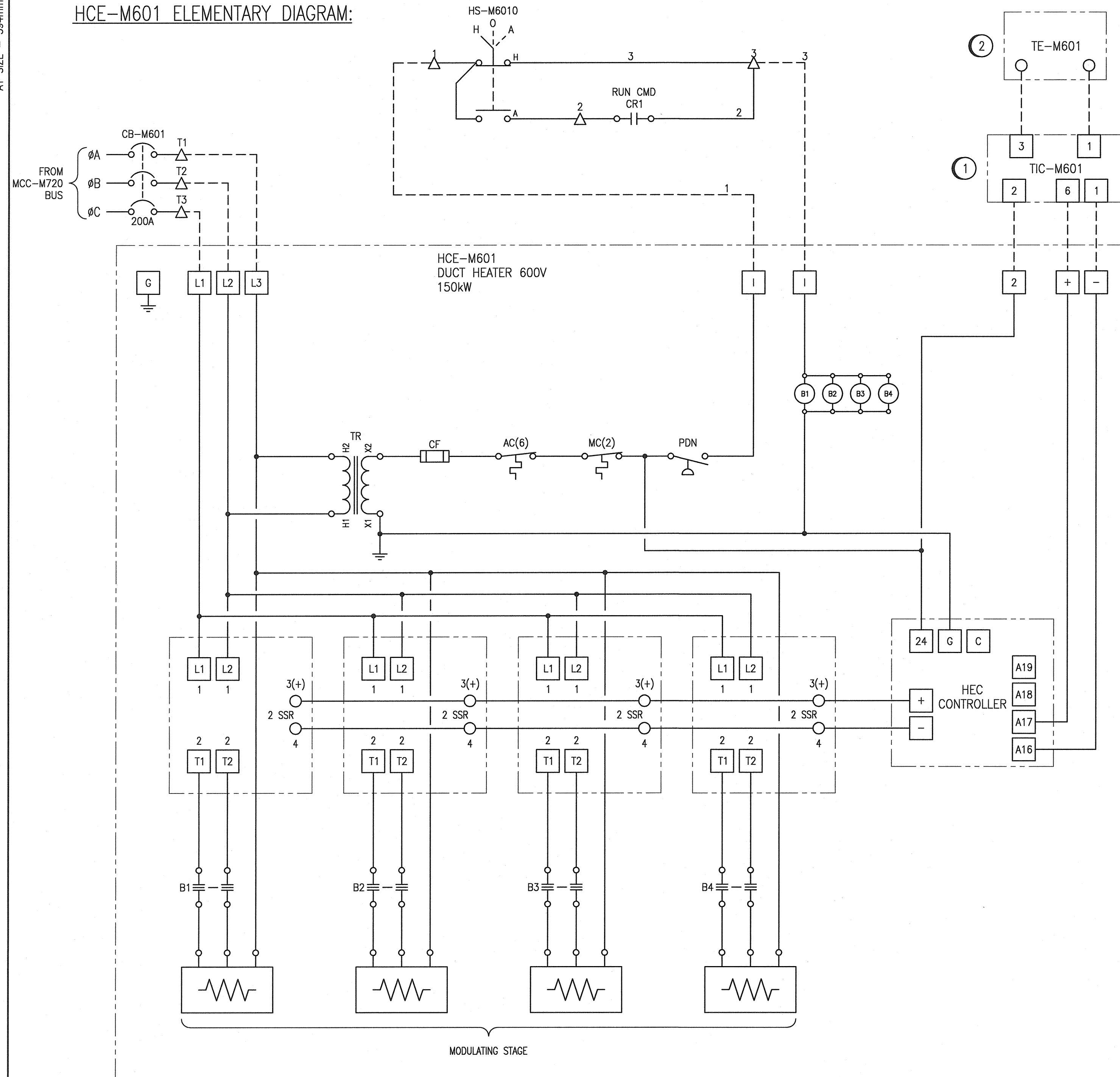


HCE-M601 ELEMENTARY DIAGRAM:

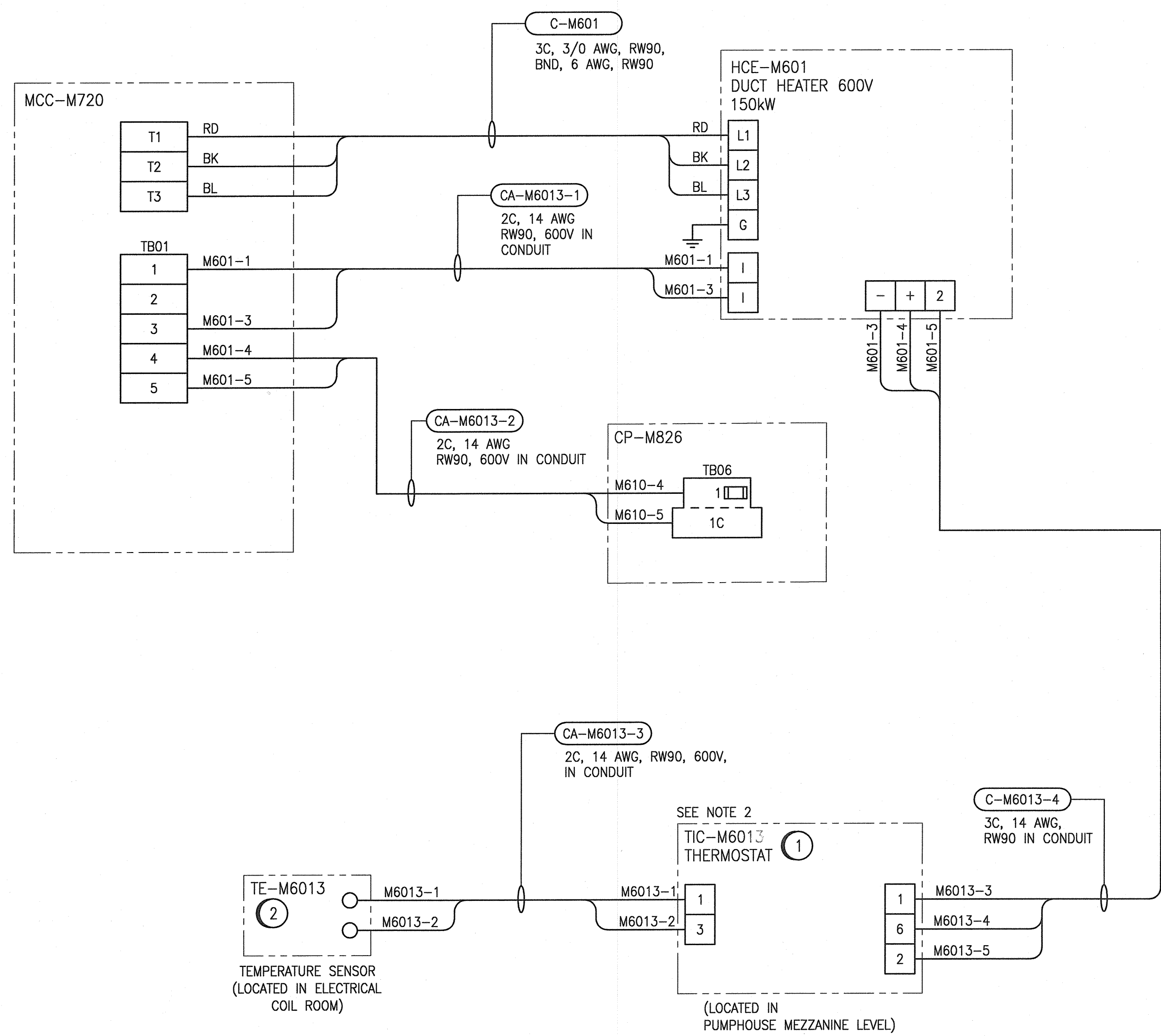


GENERAL NOTES:

- ALL EQUIPMENT AND CABLES ARE NEW UNLESS SPECIFICALLY NOTED OTHERWISE.
- SELECT EXTERNAL TEMPERATURE SENSOR SETTING.



HCE-M601 FIELD CONNECTION DIAGRAM:



CONSTRUCTION NOTES:

- THERMOSTAT TIC-M6013 IS A NEPTRONIC MODEL NO. TR05404 0-10VDC
- TEMPERATURE SENSOR TE-M6013 IS A NEPTRONIC MODEL NO. STCO-13

LEGEND:

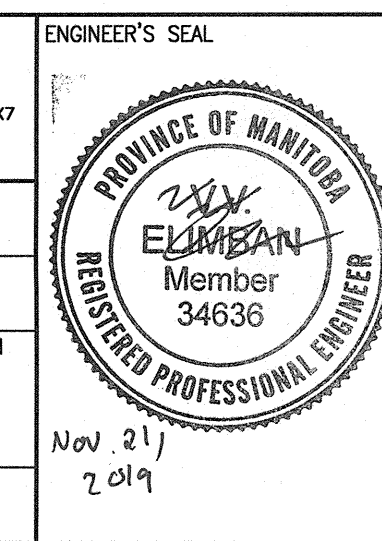
- △ TERMINAL IN MOTOR STARTER COMPARTMENT
- TEMPERATURE SWITCH
- PRESSURE SWITCH

1-0640M-A0055	WIRING DIAGRAM, MAIN BUILDING CP-M826 DISCRETE OUTPUTS
1-0640M-A0048	INSTRUMENTATION EQUIPMENT PLAN MEZZANINE LEVEL
1-0640M-E0040	EQUIPMENT PLAN, MEZZANINE LEVEL
1-0640M-E0035	MCC-M720 LAYOUT AND SCHEDULE
1-0640M-E0034	SINGLE LINE DIAGRAM, MCC-M720

DRAWING NUMBER REFERENCE DRAWINGS

00	ISSUED FOR TENDER AND CONSTRUCTION	2019/10/18	VE	KS
NO.	REVISIONS	DATE	DESIGN	CHECK

SNC-LAVALIN INC. 148 Nature Park Way Winnipeg, MB, Canada R3P 0X7 204-786-8080	
DESIGNED BY: V. ELIMBAN	CHECKED BY: K. SAPIAK
DRAWN BY: N.ESCHUK	APPROVED BY: D. BECKER
SCALE: NTS	ISSUED FOR CONSTRUCTION BY: A. WEISS
DATE: 2019/06/24	DATE: 2019/10/18
CONSULTANT NO.:	



THE CITY OF WINNIPEG WATER AND WASTE DEPARTMENT	
MCPHILLIPS PUMPING STATION ELECTRICAL AND HVAC UPGRADES, MCC REPLACEMENT HEATER SCHEMATIC HCE-M601 DUCT HEATER	
CITY DRAWING NUMBER 1-0640M-E0079	SHEET REV. SIZE 001 00 A1