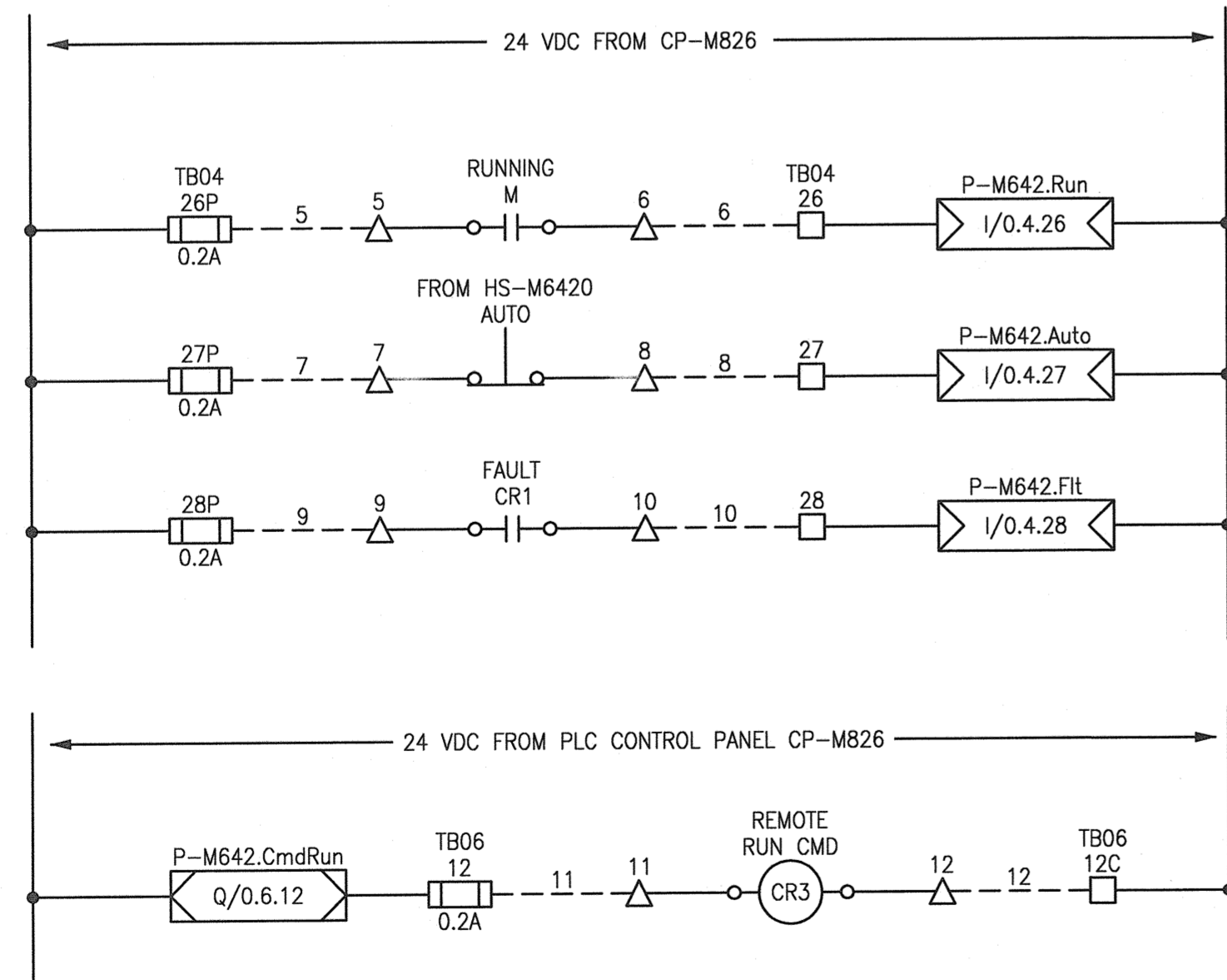
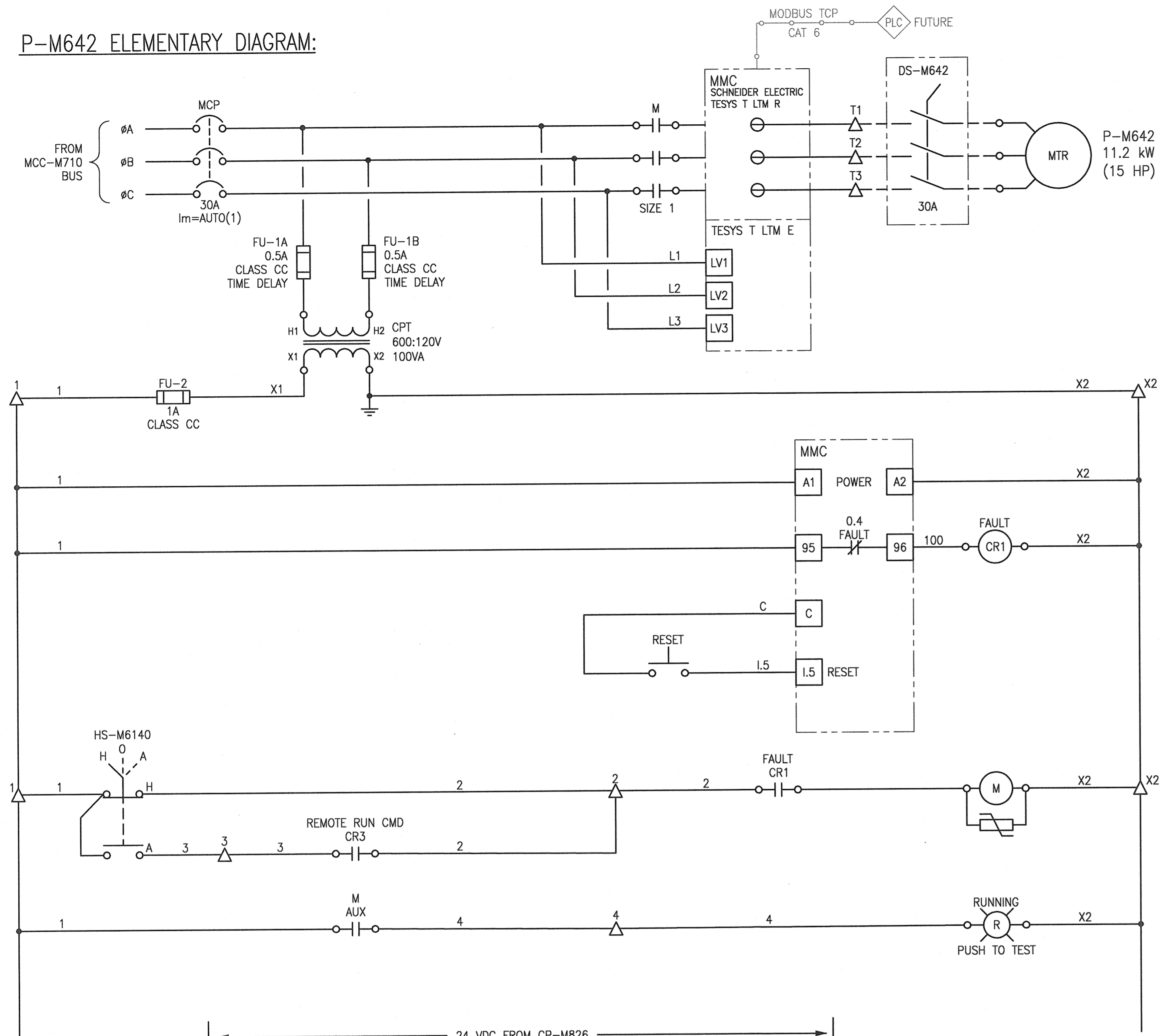
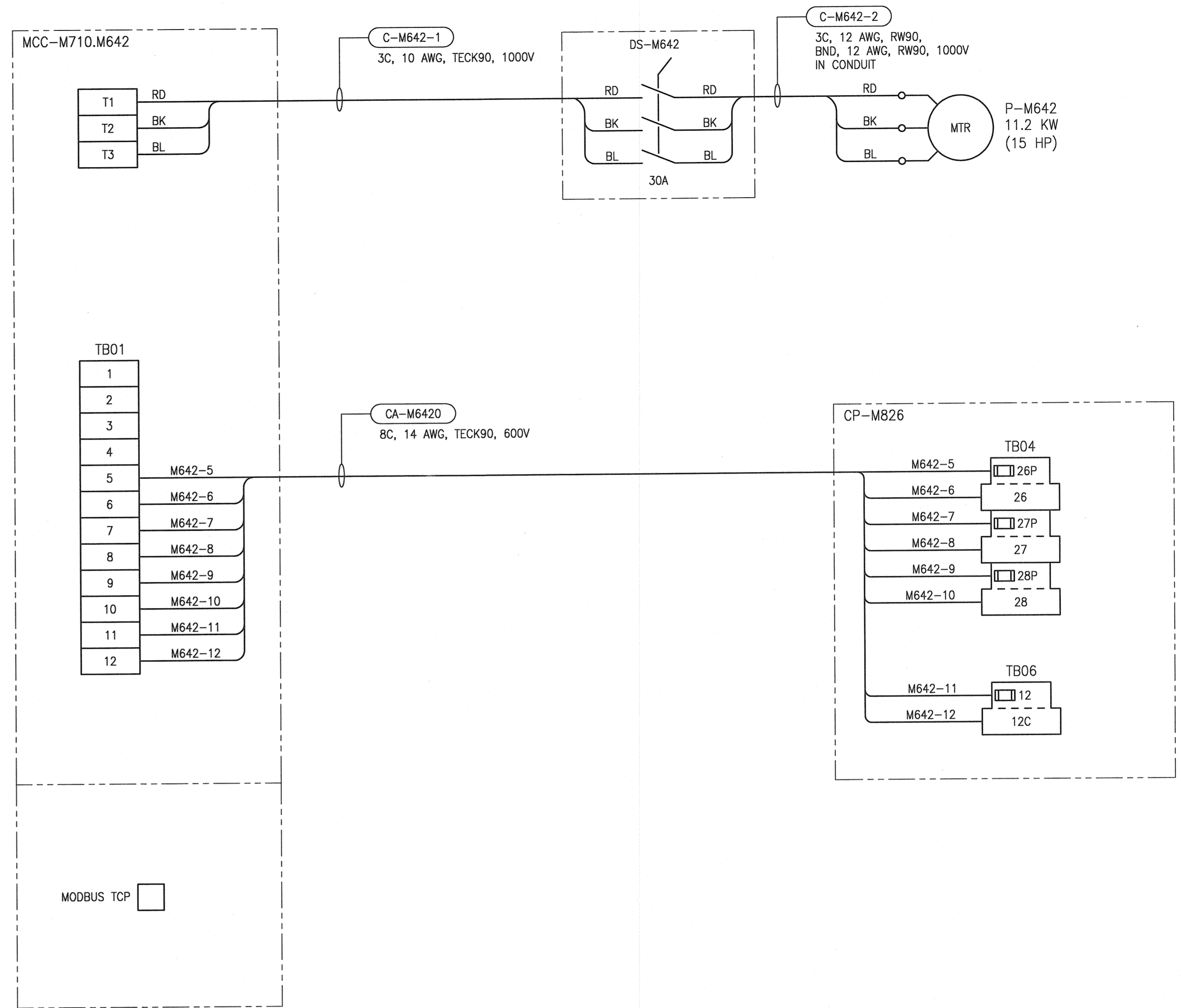


P-M642 ELEMENTARY DIAGRAM:



P-M642 FIELD CONNECTION DIAGRAM:



ELEMENTARY DIAGRAM LEGEND:

- INTERNAL WIRING
- - - FIELD (EXTERNAL) WIRING
- FUTURE
- △ MCC TERMINAL
- PLC TERMINAL
- M ○ CONTACTOR COIL
- ⎓ TRANSIENT VOLTAGE SUPPRESSOR

GENERAL NOTES:

- ALL EQUIPMENT AND CABLES ARE NEW AND ARE TO BE PROVIDED BY THE ELECTRICAL CONTRACTOR UNLESS SPECIFICALLY NOTED AS EXISTING OR AS SHOWN AS FUTURE.

1-0640M-A0019	INSTRUMENTATION PLAN - NEW WORK, LOWER LEVEL
1-0640M-A0055	WIRING DIAGRAM, HVAC PANEL CP-M826 DISCRETE OUTPUTS
1-0640M-A0053	WIRING DIAGRAM, HVAC PANEL CP-M826 DISCRETE INPUTS
1-0640M-E0033	MCC-M710 LAYOUT AND SCHEDULE
1-0640M-E0032	SINGLE LINE DIAGRAM, MCC-M710
DRAWING NUMBER	REFERENCE DRAWINGS



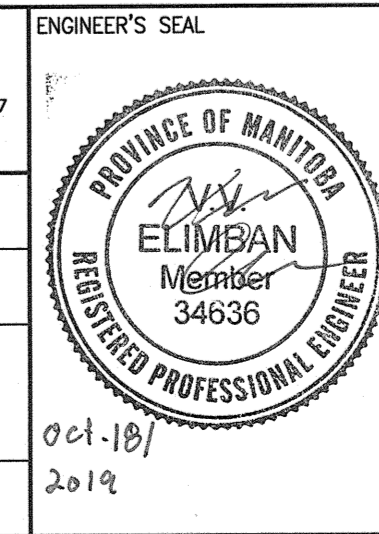
DESIGNED BY:	V. ELIMBAN	CHECKED BY:	K. SAPIAK
DRAWN BY:	J. GRAGASIN	APPROVED BY:	D. BECKER
SCALE:	NTS	ISSUED FOR CONSTRUCTION BY:	A. WEISS
DATE:	2019/07/04	DATE:	2019/10/18
ISSUED FOR TENDER AND CONSTRUCTION	2019/10/18	VE	KS
NO. REVISIONS	DATE	DESIGN	CHECK

SNC-LAVALIN INC.
148 Nature Park Way
Winnipeg, MB, Canada R3P 0X7
204-786-8080

DESIGNED BY: V. ELIMBAN
DRAWN BY: J. GRAGASIN
SCALE: NTS
DATE: 2019/07/04

CHECKED BY: K. SAPIAK
APPROVED BY: D. BECKER
ISSUED FOR CONSTRUCTION BY: A. WEISS
DATE: 2019/10/18

CONSULTANT NO.:



THE CITY OF WINNIPEG
WATER AND WASTE DEPARTMENT

MCPHILLIPS PUMPING STATION
ELECTRICAL AND HVAC UPGRADES, MCC REPLACEMENT
MOTOR STARTER SCHEMATIC
P-M642
CHILLED WATER PUMP

CITY DRAWING NUMBER: 1-0640M-E0078
SHEET: 001
REV. SIZE: 00 A1