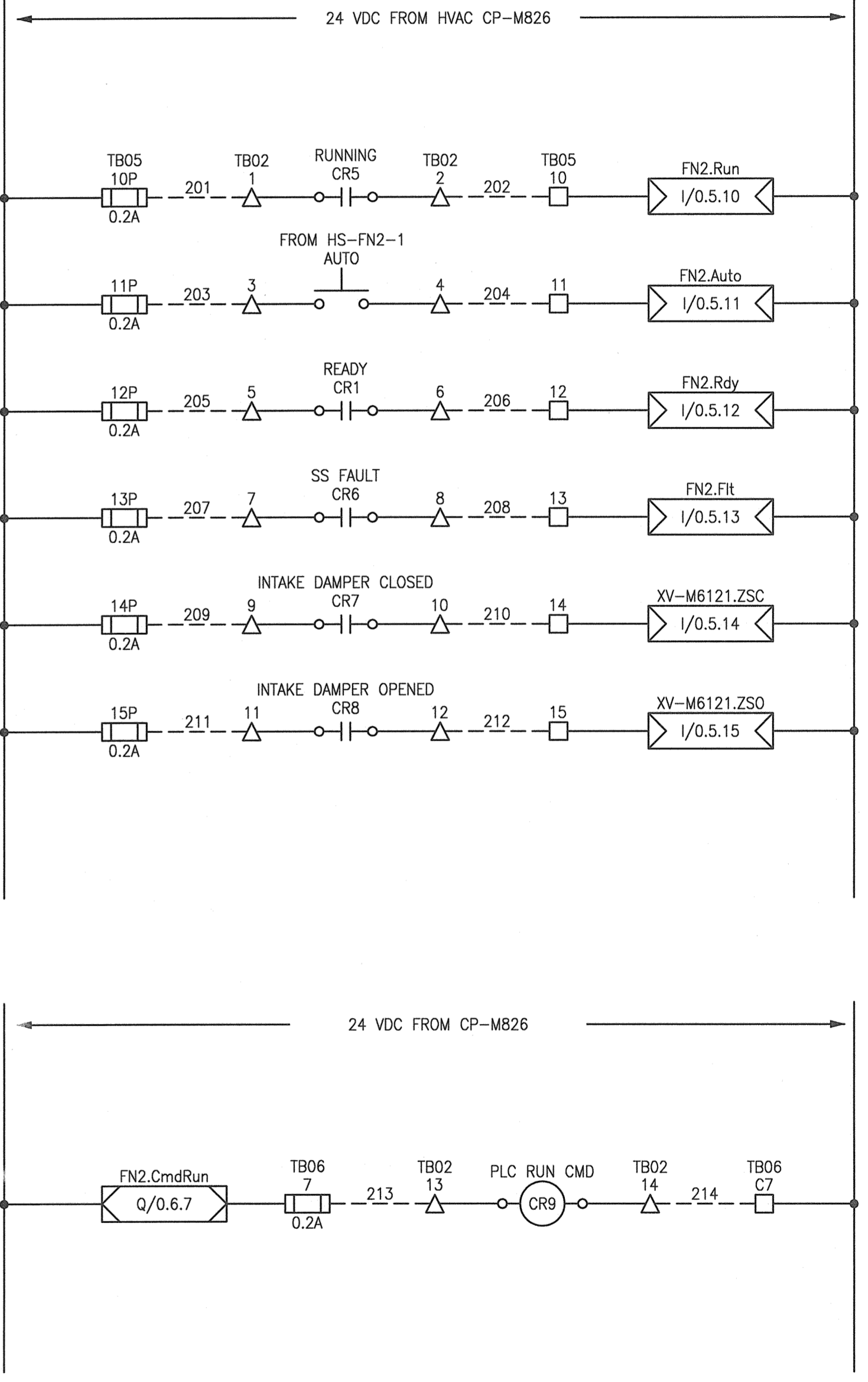
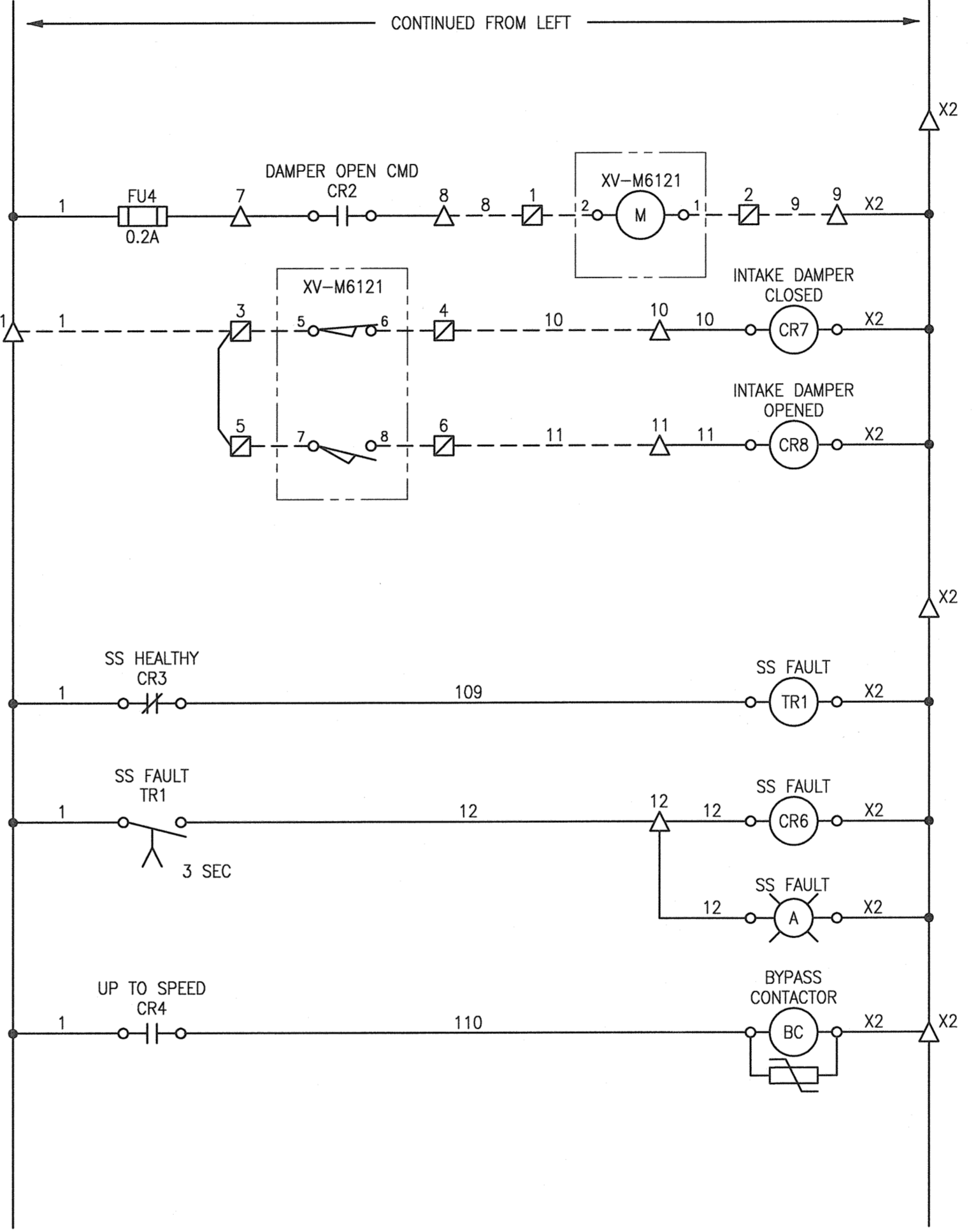
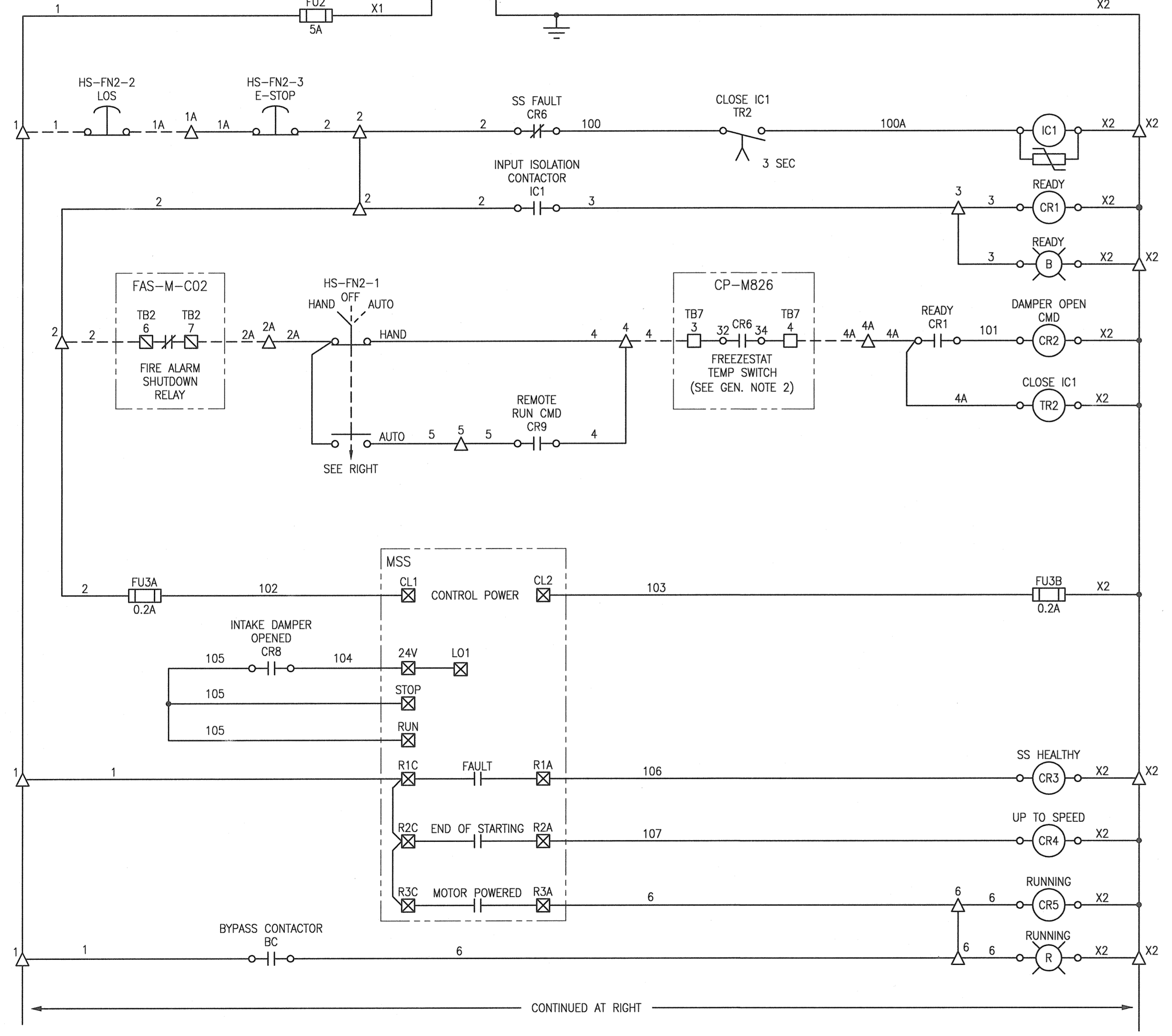


LEGEND:

- INTERNAL WIRING
- - - FIELD (EXTERNAL) WIRING
- △ SOFT START ENCLOSURE TERMINAL
- CP-M826 TERMINAL
- ⊗ SOFT START DEVICE TERMINAL
- ⊠ JBA-M6121
- ⊞ FIRE ALARM CONTROL MODULE
- ⊞ TRANSIENT VOLTAGE SUPPRESSOR



CONSTRUCTION NOTES:

- 1 PROVIDE IEC RATED BYPASS CONTACTOR.

GENERAL NOTES:

1. ALL EQUIPMENT AND CABLES ARE NEW AND ARE TO BE PROVIDED BY THE ELECTRICAL CONTRACTOR UNLESS SPECIFICALLY NOTED AS EXISTING OR AS SHOWN AS FUTURE.
2. RELAY CR6 IS AN AUXILIARY RELAY ENERGIZED BY NORMALLY CLOSED TEMPERATURE SWITCH, TSL-M6043. REFER TO DWG. 1-0640M-A0069.
3. COMPLETE ASSEMBLY TO HAVE A SHORT CIRCUIT CURRENT RATING OF 25KA OR HIGHER.
4. GROUP AND SPACE 120VAC, 24VDC AND 4-20MA TERMINALS AND WIRING SEPARATELY.
5. ALL REMOTE WIRING IS 24VDC.
6. COLOUR CODE WIRING AS FOLLOWS:
 POWER - 120VAC SUPPLY BLACK
 POWER - 120VAC NEUTRAL WHITE
 POWER - 24VDC SUPPLY (+) BLUE
 POWER - 24VDC COMMON (-, OR OVD) BROWN
 DISCRETE CONTROL - AC RED
 DISCRETE CONTROL - DC BLUE
 GROUND GREEN



DRAWING NUMBER	REFERENCE DRAWINGS
1-0640M-A0048	INSTRUMENTATION PLAN - NEW WORK, MEZZANINE LEVEL
1-0640M-A0069	LOOP DIAGRAM, TSL-M6043
1-0640M-A0055	WIRING DIAGRAM, HVAC PANEL CP-M826 DISCRETE OUTPUTS
1-0640M-A0054	WIRING DIAGRAM, HVAC PANEL CP-M826 DISCRETE INPUTS
1-0640M-A0037	PANEL LAYOUT, JUNCTION BOXES
1-0640M-E0075-002	FN2 CONNECTION DIAGRAM
1-0640M-E0036	SINGLE LINE DIAGRAM, MCC-M730E

NO.	REVISIONS	DATE	DESIGN	CHECK
00	ISSUED FOR TENDER AND CONSTRUCTION	2019/10/18	VE	KS

SNC-LAVALIN INC.
148 Nature Park Way
Winnipeg, MB, Canada R3P 0X7
204-786-8080

DESIGNED BY: V. ELIMBAN
DRAWN BY: J. GRAGASIN
SCALE: NTS
DATE: 2019/07/03

CHECKED BY: K. SAPIAK
APPROVED BY: D. BECKER
ISSUED FOR CONSTRUCTION BY: A. WEISS
DATE: 2019/10/18

CONSULTANT NO.:



THE CITY OF WINNIPEG
WATER AND WASTE DEPARTMENT

MCPHILLIPS PUMPING STATION
ELECTRICAL AND HVAC UPGRADES, MCC REPLACEMENT
MOTOR STARTER SCHEMATIC
FN2
SUPPLY FAN

CITY DRAWING NUMBER: 1-0640M-E0075
SHEET: 001
REV: 00
SIZE: A1