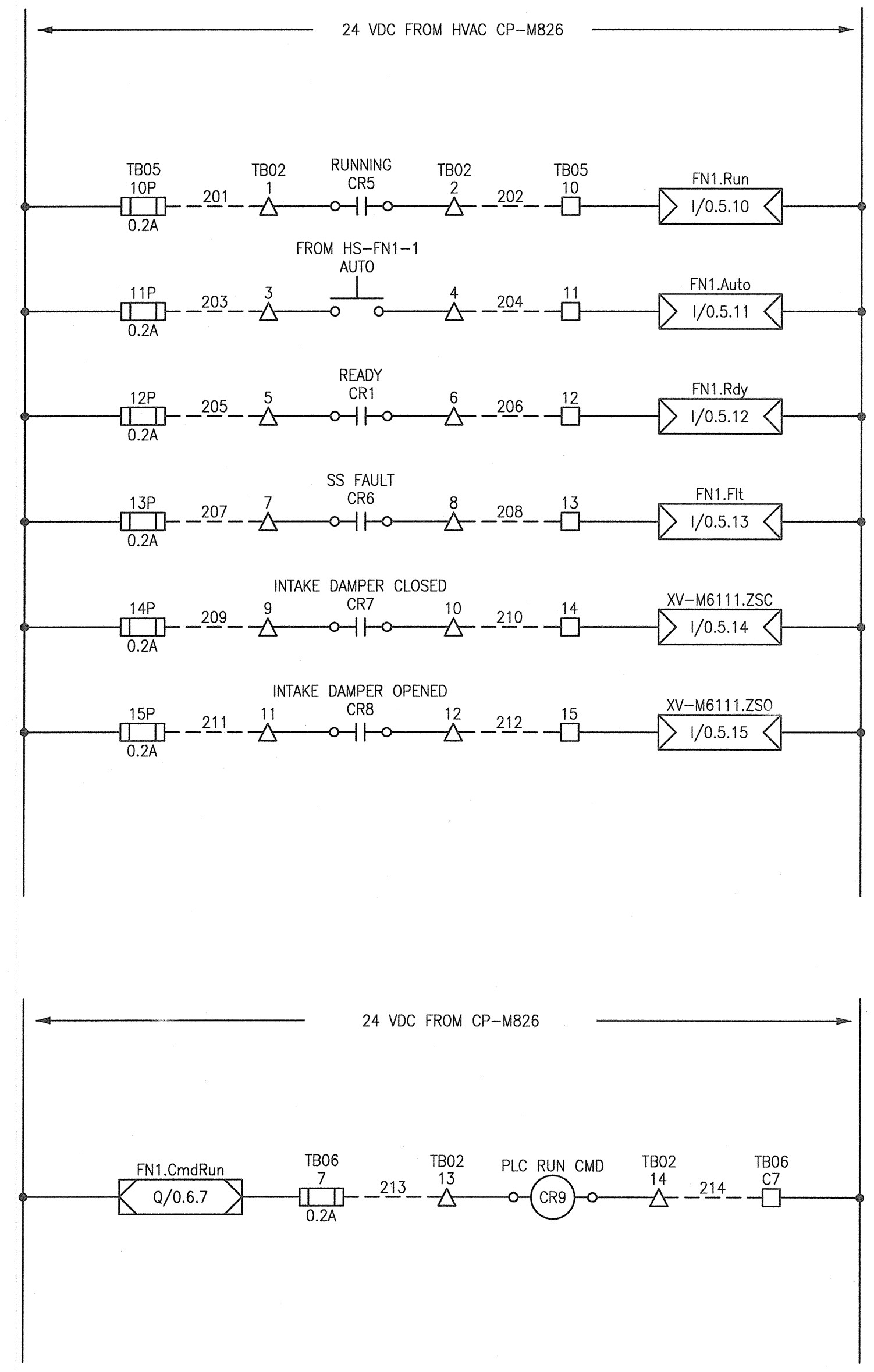
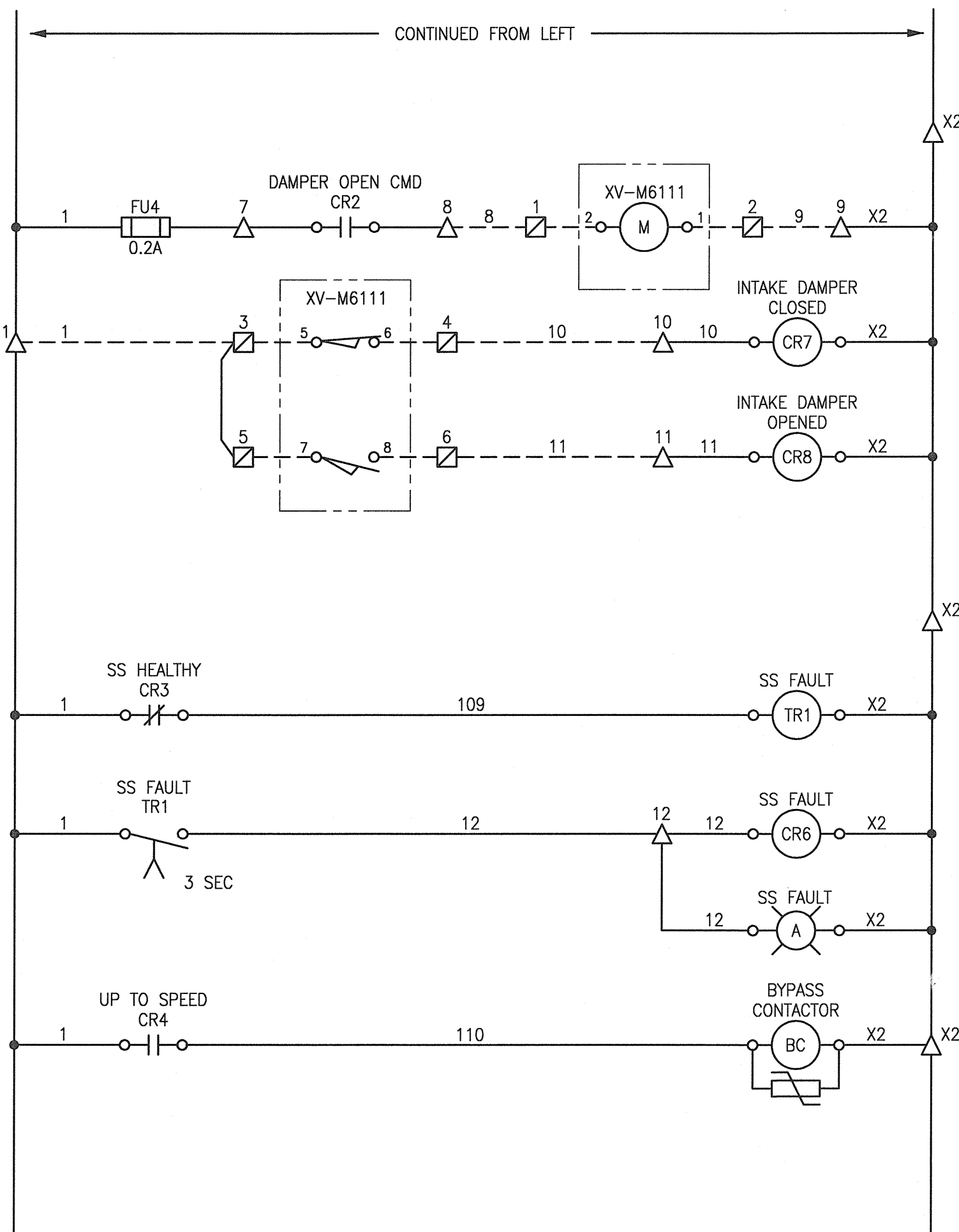
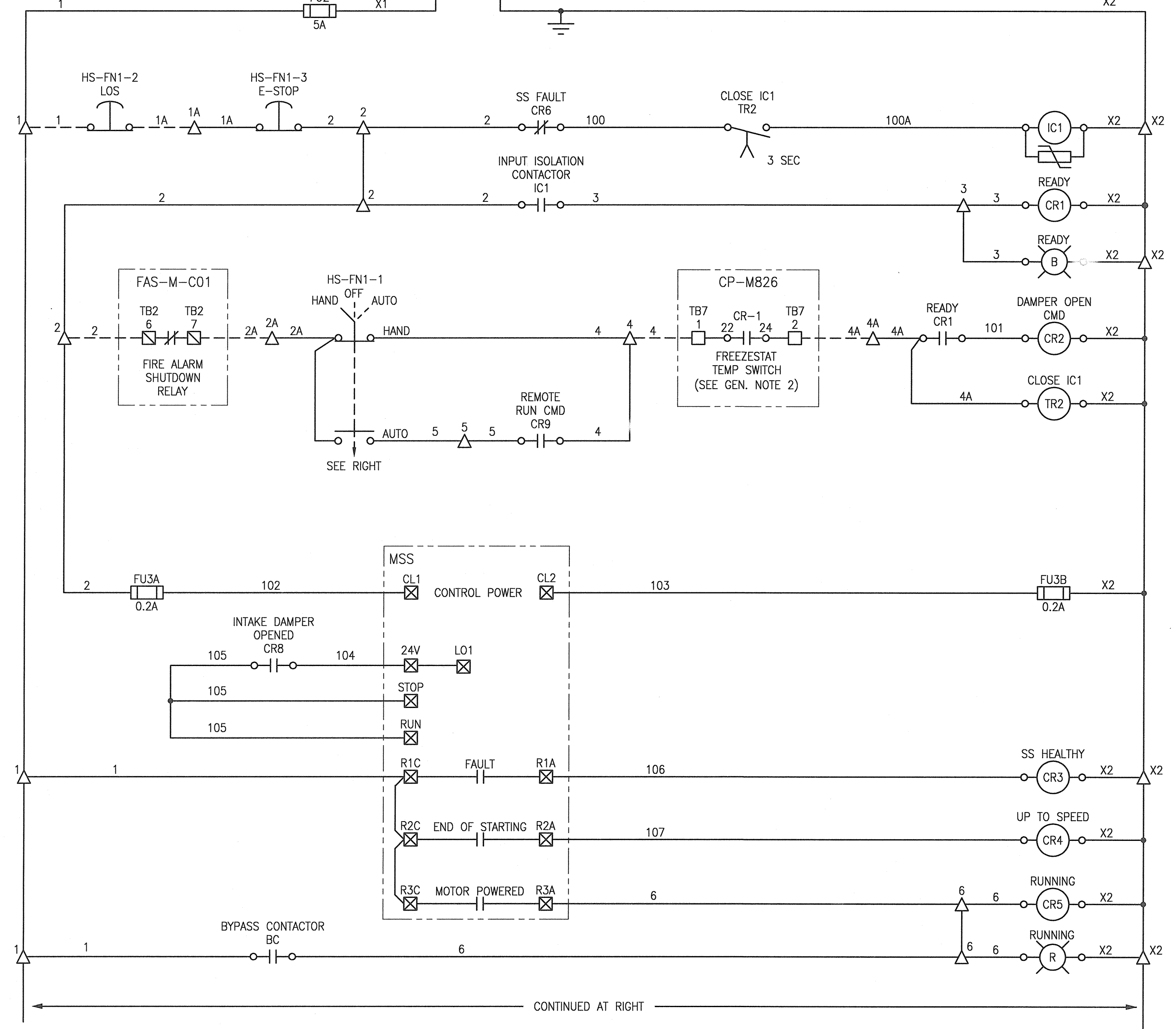


LEGEND:

- INTERNAL WIRING
- - - FIELD (EXTERNAL) WIRING
- △ SOFT START ENCLOSURE TERMINAL
- CP-M826 TERMINAL
- ⊗ SOFT START DEVICE TERMINAL
- ⊠ JBA-M6121
- ⊡ FIRE ALARM CONTROL MODULE
- ⊞ TRANSIENT VOLTAGE SUPPRESSOR



CONSTRUCTION NOTES:

1 PROVIDE IEC RATED BYPASS CONTACTOR.

- GENERAL NOTES:**
- ALL EQUIPMENT AND CABLES ARE NEW AND ARE TO BE PROVIDED BY THE ELECTRICAL CONTRACTOR UNLESS SPECIFICALLY NOTED AS EXISTING OR AS SHOWN AS FUTURE.
 - RELAY CR1 IS AN AUXILIARY RELAY ENERGIZED BY NORMALLY CLOSED TEMPERATURE SWITCH, TSL-M6043. REFER TO DWG. 1-0640M-A0069.
 - COMPLETE ASSEMBLY TO HAVE A SHORT CIRCUIT CURRENT RATING OF 25KA OR HIGHER.
 - GROUP AND SPACE 120VAC, 24VDC AND 4-20MA TERMINALS AND WIRING SEPARATELY.
 - SOFT STARTER IS EQUIPPED WITH INTERNAL BYPASS CONNECTION.
 - COLOUR CODE WIRING AS FOLLOWS:

POWER - 120VAC SUPPLY	BLACK
POWER - 120VAC NEUTRAL	WHITE
POWER - 24VDC SUPPLY (+)	BLUE
POWER - 24VDC COMMON (-, OR OVD)	BROWN
DISCRETE CONTROL - AC	RED
DISCRETE CONTROL - DC	BLUE
GROUND	GREEN



DRAWING NUMBER	REFERENCE DRAWINGS
1-0640M-A0048	INSTRUMENTATION PLAN - NEW WORK, MEZZANINE LEVEL
1-0640M-A0069	LOOP DIAGRAM, TSL-M6043
1-0640M-A0055	WIRING DIAGRAM, HVAC PANEL CP-M826 DISCRETE OUTPUTS
1-0640M-A0053	WIRING DIAGRAM, HVAC PANEL CP-M826 DISCRETE INPUTS
1-0640M-A0037	PANEL LAYOUT, JUNCTION BOXES
1-0640M-E0074-002	FN1 CONNECTION DIAGRAM
1-0640M-E0036	SINGLE LINE DIAGRAM, MCC-M730E

		SNC-LAVALIN INC. 148 Nature Park Way Winnipeg, MB, Canada R3P 0X7 204-788-8080		ENGINEER'S SEAL 	
DESIGNED BY: V. ELIMBAN DRAWN BY: J. GRAGASIN SCALE: NTS DATE: 2019/04/18		CHECKED BY: K. SAPIAK APPROVED BY: D. BECKER ISSUED FOR CONSTRUCTION BY: A. WEISS DATE: 2019/10/18			
00 ISSUED FOR TENDER AND CONSTRUCTION 2019/10/18 VE KS NO. REVISIONS DATE DESIGN CHECK		CONSULTANT NO.:		THE CITY OF WINNIPEG WATER AND WASTE DEPARTMENT MCPHILLIPS PUMPING STATION ELECTRICAL AND HVAC UPGRADES, MCC REPLACEMENT MOTOR STARTER SCHEMATIC FN1 SUPPLY FAN	
				CITY DRAWING NUMBER: 1-0640M-E0074 SHEET: 001 REV: 00 SIZE: A1	