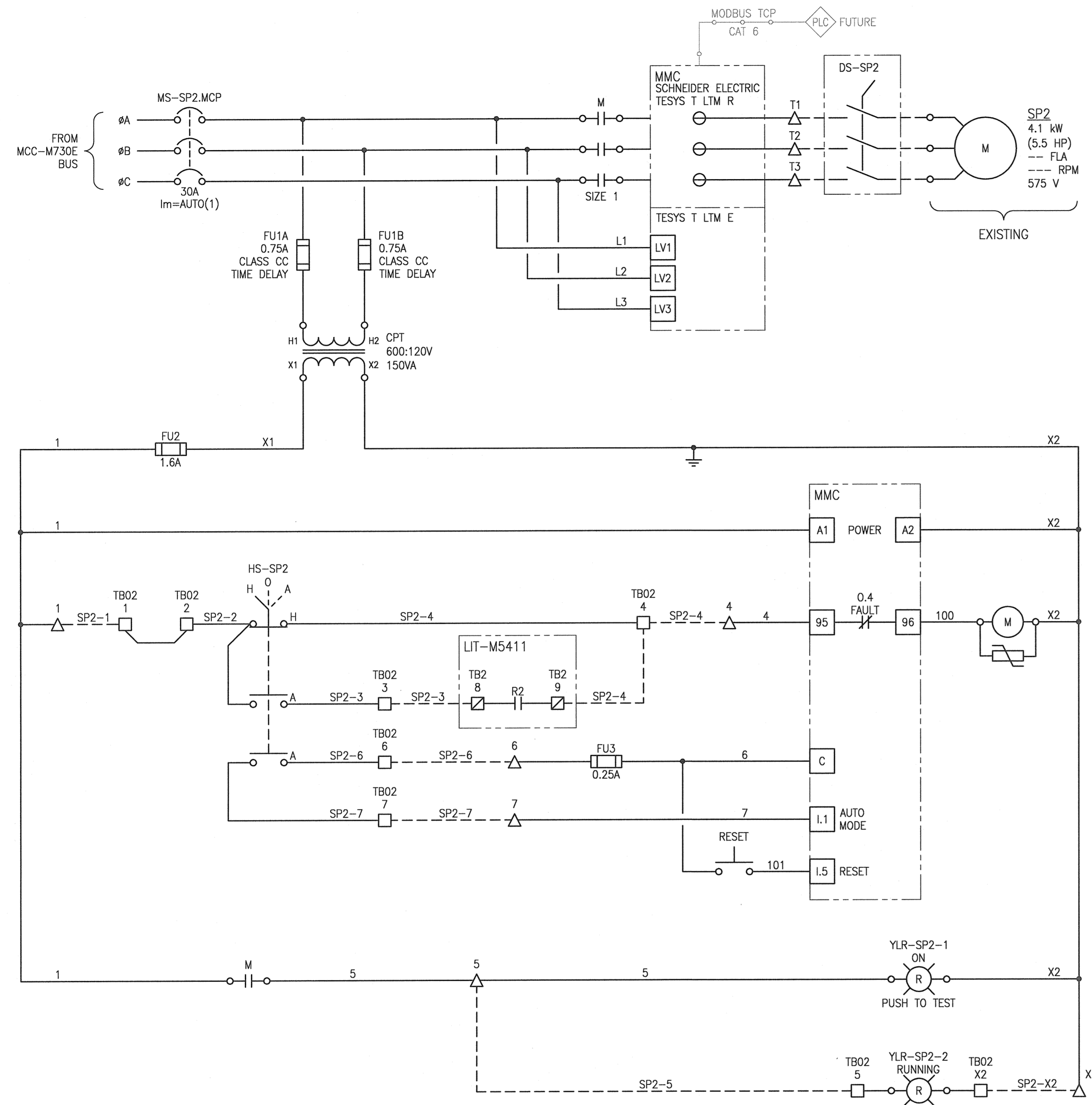
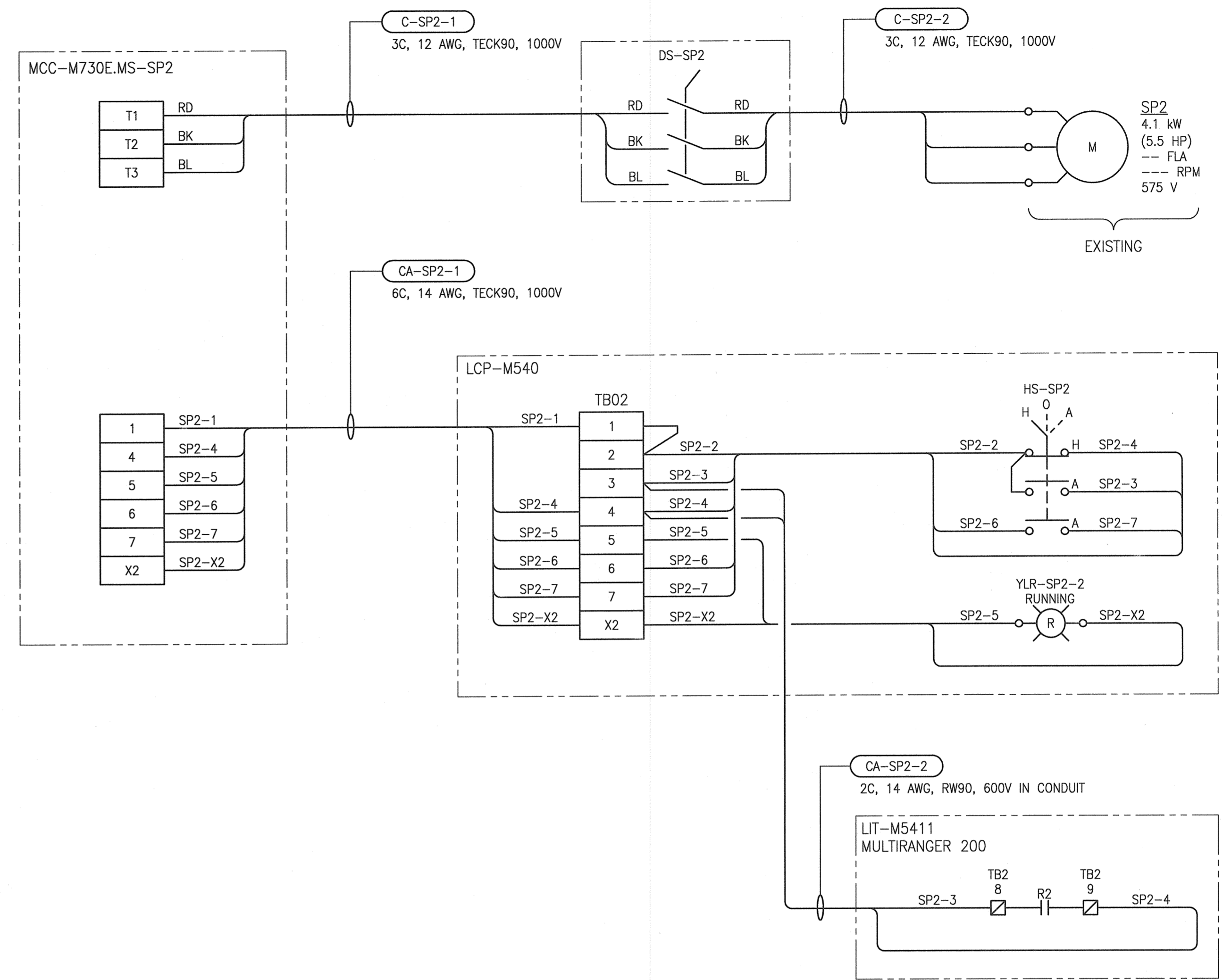


A1 SIZE - 594mm x 841mm

**SP2 ELEMENTARY DIAGRAM:**



**SP2 FIELD CONNECTION DIAGRAM:**



**ELEMENTARY DIAGRAM LEGEND:**

- INTERNAL WIRING
- - - FIELD (EXTERNAL) WIRING
- FUTURE
- △ TERMINAL IN MOTOR STARTER COMPARTMENT
- TERMINAL IN LCP-M540
- ▣ TERMINAL IN LIT-SP2
- (R) INDICATING LIGHT, R = RED, A = AMBER
- (M) CONTACTOR COIL
- ⎓ TRANSIENT VOLTAGE SUPPRESSOR

**GENERAL NOTES:**

- ALL EQUIPMENT AND CABLES ARE NEW AND ARE TO BE PROVIDED BY THE ELECTRICAL CONTRACTOR UNLESS SPECIFICALLY NOTED AS EXISTING OR AS SHOWN AS FUTURE.

1-0640M-A0084	LOOP DIAGRAM, SUMP PUMP CONTROLLER, LIT-M5411
1-0640M-A0036	PANEL LAYOUT, LCP-M540 SUMP PUMP CTRL. PANEL
1-0640M-E0037	MCC-M730E LAYOUT AND SCHEDULE
1-0640M-E0036	SINGLE LINE DIAGRAM, MCC-M730E
DRAWING NUMBER	REFERENCE DRAWINGS



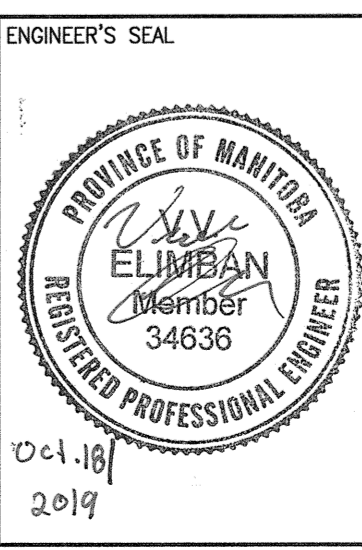
00	ISSUED FOR TENDER AND CONSTRUCTION	2019/10/18	VE	KS
NO.	REVISIONS	DATE	DESIGN	CHECK

**SNC-LAVALIN INC.**  
148 Nature Park Way  
Winnipeg, MB, Canada R3P 0X7  
204-786-9090

DESIGNED BY: V. ELIMBAN  
DRAWN BY: V. ELIMBAN  
SCALE: NTS  
DATE: 2019/03/22

CHECKED BY: K. SAPIAK  
APPROVED BY: D. BECKER  
ISSUED FOR CONSTRUCTION BY: A. WEISS  
DATE: 2019/10/18

CONSULTANT NO.:



**THE CITY OF WINNIPEG**  
WATER AND WASTE DEPARTMENT

MCPHILLIPS PUMPING STATION  
ELECTRICAL AND HVAC UPGRADES, MCC REPLACEMENT  
MOTOR STARTER SCHEMATIC  
SP2  
SUMP PUMP

CITY DRAWING NUMBER: 1-0640M-E0071  
SHEET: 001  
REV. 00  
SIZE: A1

LAST SAVE: 2019/10/30 - 11:55am  
PATH: M:\66172\VENG\47ELE\DD - General DWG\01 McPhillips\1-0640M-E0071-001-00.dwg