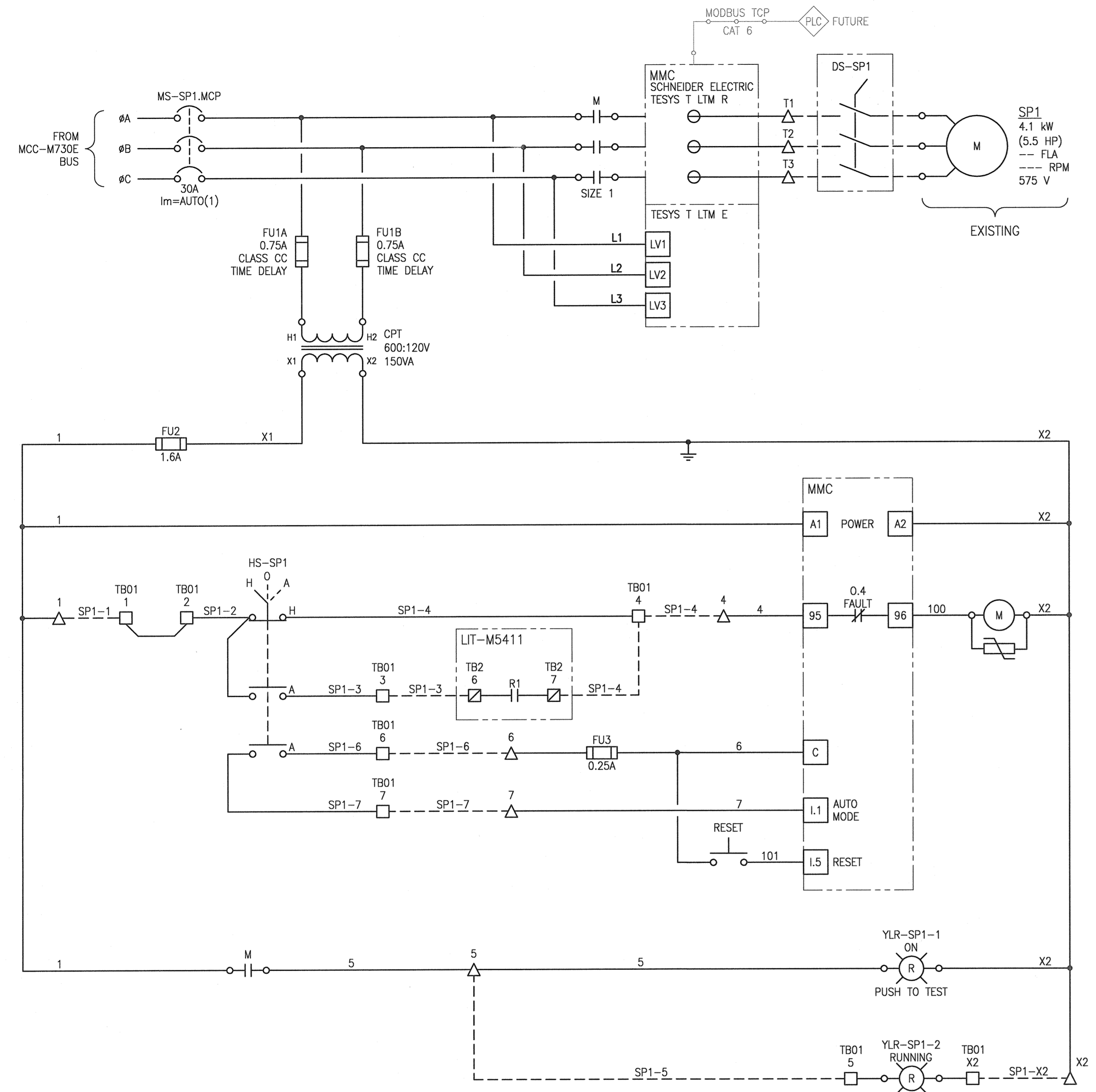
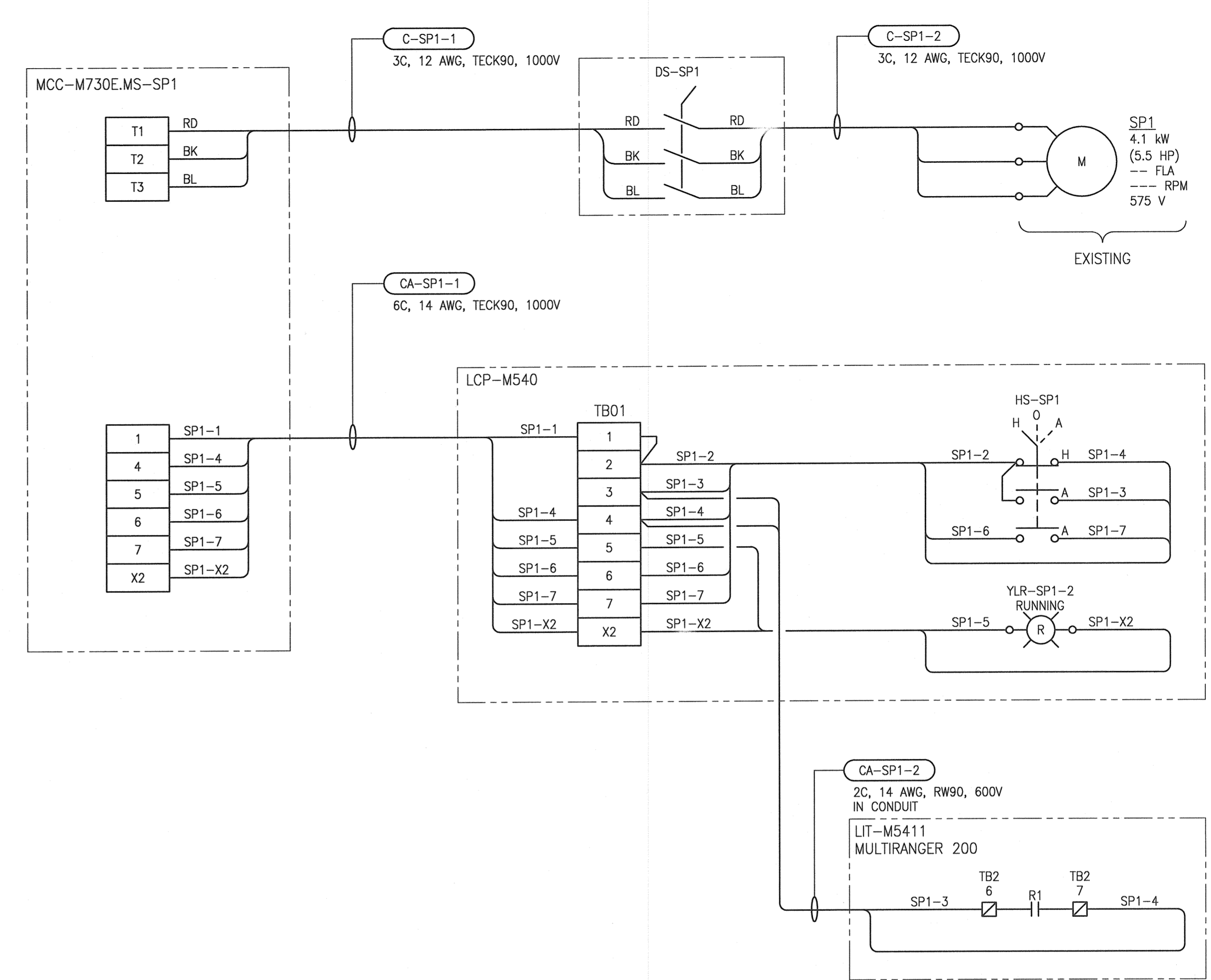


A1 SIZE - 594mm x 841mm

SP1 ELEMENTARY DIAGRAM:



SP1 FIELD CONNECTION DIAGRAM:



ELEMENTARY DIAGRAM LEGEND:

- INTERNAL WIRING
- - - FIELD (EXTERNAL) WIRING
- FUTURE
- △ TERMINAL IN MOTOR STARTER COMPARTMENT
- TERMINAL IN LCP-M540
- ▣ TERMINAL IN LIT-SP1
- (R) INDICATING LIGHT, R = RED, A = AMBER
- (M) CONTACTOR COIL
- ⎓ TRANSIENT VOLTAGE SUPPRESSOR

GENERAL NOTES:

- ALL EQUIPMENT AND CABLES ARE NEW AND ARE TO BE PROVIDED BY THE ELECTRICAL CONTRACTOR UNLESS SPECIFICALLY NOTED AS EXISTING OR AS SHOWN AS FUTURE.

1-0640M-A0084	LOIOP DIAGRAM, SUMP PUMP CONTROLLER, LIT-M5411
1-0640M-A0036	PANEL LAYOUT, LCP-M540 SUMP PUMP CTRL. PANEL
1-0640M-E0037	MCC-M730E LAYOUT AND SCHEDULE
1-0640M-E0036	SINGLE LINE DIAGRAM, MCC-M730E
DRAWING NUMBER	REFERENCE DRAWINGS



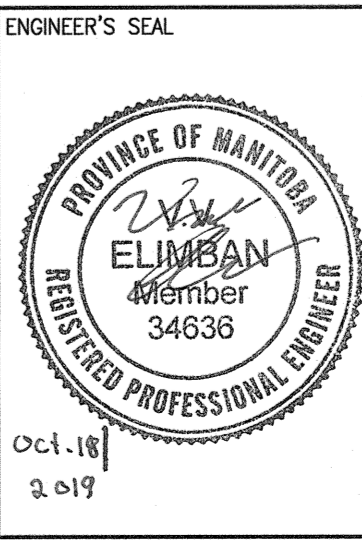
00	ISSUED FOR TENDER AND CONSTRUCTION	2019/10/18	VE	KS
NO.	REVISIONS	DATE	DESIGN	CHECK

SNC-LAVALIN INC.
148 Nature Park Way
Winnipeg, MB, Canada R3P 0X7
204-786-9090

DESIGNED BY: V. ELIMBAN
DRAWN BY: V. ELIMBAN
SCALE: NTS
DATE: 2019/03/22

CHECKED BY: K. SAPIAK
APPROVED BY: D. BECKER
ISSUED FOR CONSTRUCTION BY: A. WEISS
DATE: 2019/10/18

CONSULTANT NO.:



THE CITY OF WINNIPEG
WATER AND WASTE DEPARTMENT

MCPHILLIPS PUMPING STATION
ELECTRICAL AND HVAC UPGRADES, MCC REPLACEMENT
MOTOR STARTER SCHEMATIC
SP1
SUMP PUMP

CITY DRAWING NUMBER: 1-0640M-E0070
SHEET: 001
REV. SIZE: 00 A1

LAST SAVE: 2019/10/30 - 11:55am
PATH: M:\66172\VENG\7FELE\DD - General DWG\01 McPhillips\1-0640M-E0070-001-00.dwg