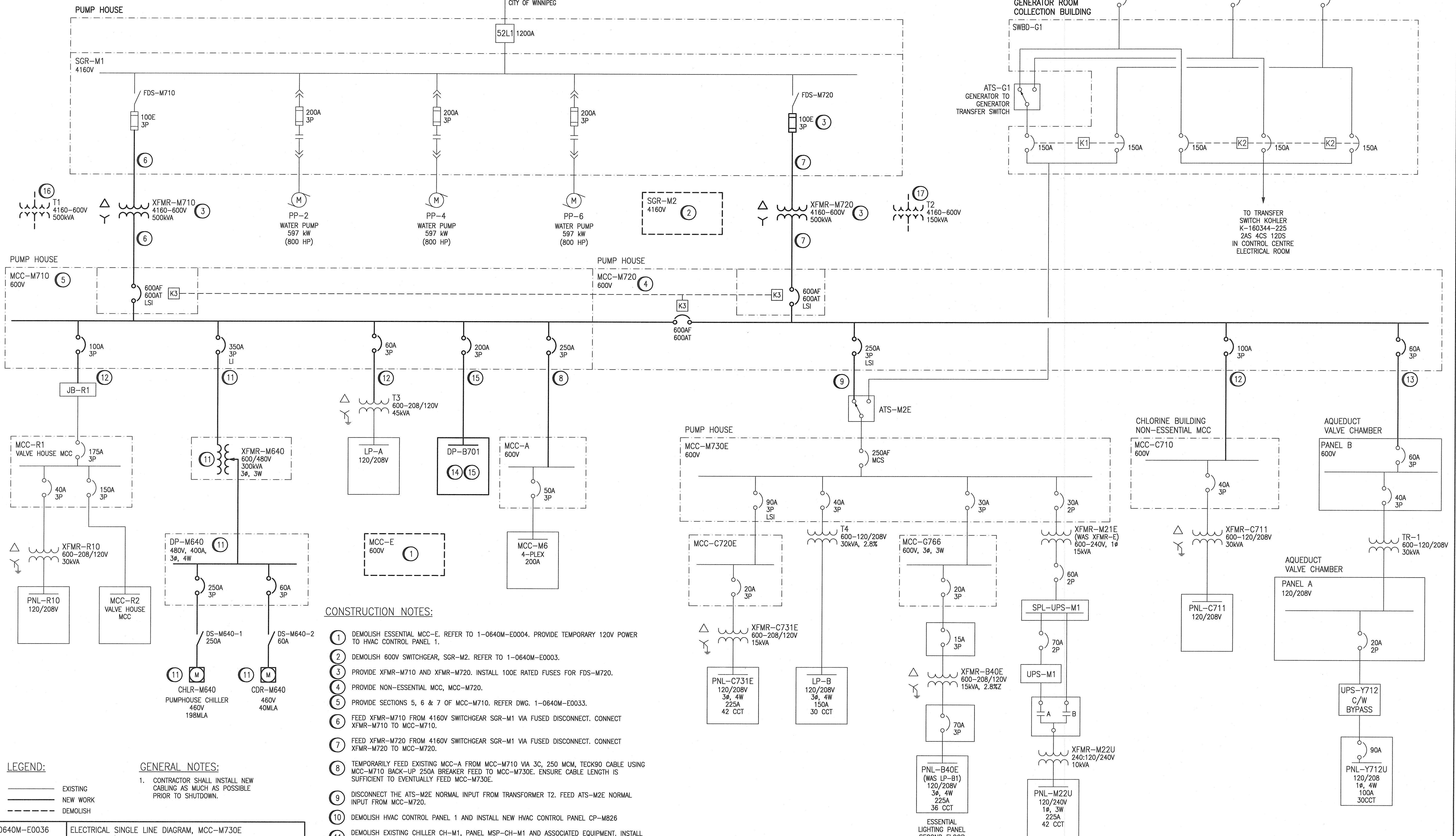


FROM MANITOBA HYDRO LOGAN AVE. SUBSTATION
FEEDER 2323
4160 V

MANITOBA HYDRO
CITY OF WINNIPEG

52L1 1200A



CONSTRUCTION NOTES:

- 1 DEMOLISH ESSENTIAL MCC-E. REFER TO 1-0640M-E0004. PROVIDE TEMPORARY 120V POWER TO HVAC CONTROL PANEL 1.
- 2 DEMOLISH 600V SWITCHGEAR, SGR-M2. REFER TO 1-0640M-E0003.
- 3 PROVIDE XFMR-M710 AND XFMR-M720. INSTALL 100E RATED FUSES FOR FDS-M720.
- 4 PROVIDE NON-ESSENTIAL MCC, MCC-M720.
- 5 PROVIDE SECTIONS 5, 6 & 7 OF MCC-M710. REFER DWG. 1-0640M-E0033.
- 6 FEED XFMR-M710 FROM 4160V SWITCHGEAR SGR-M1 VIA FUSED DISCONNECT. CONNECT XFMR-M710 TO MCC-M710.
- 7 FEED XFMR-M720 FROM 4160V SWITCHGEAR SGR-M1 VIA FUSED DISCONNECT. CONNECT XFMR-M720 TO MCC-M720.
- 8 TEMPORARILY FEED EXISTING MCC-A FROM MCC-M710 VIA 3C, 250 MCM, TECK90 CABLE USING MCC-M710 BACK-UP 250A BREAKER FEED TO MCC-M730E. ENSURE CABLE LENGTH IS SUFFICIENT TO EVENTUALLY FEED MCC-M730E.
- 9 DISCONNECT THE ATS-M2E NORMAL INPUT FROM TRANSFORMER T2. FEED ATS-M2E NORMAL INPUT FROM MCC-M720.
- 10 DEMOLISH HVAC CONTROL PANEL 1 AND INSTALL NEW HVAC CONTROL PANEL CP-M826
- 11 DEMOLISH EXISTING CHILLER CH-M1, PANEL MSP-CH-M1 AND ASSOCIATED EQUIPMENT. INSTALL NEW CONDENSER CDR-M640, CHILLER PUMPS AND CHILLER COOLING SYSTEM CHLR-M640. INSTALL ASSOCIATED CABLES, TRANSFORMER DISCONNECT, XFMR-M640 AND DISTRIBUTION PANEL DP-M640. REFER TO 1-0640M-E0020.
- 12 MIGRATE LOADS TO MCC-M710 AND MCC-M720. TRANSFER MCC-C710 TO MCC-M720.
- 13 TRANSFER PANEL B FROM MCC-M730E TO MCC-M720. RE-USE EXISTING CABLE.
- 14 DEMOLISH EXISTING SPLITTER SPL-B1. REFER TO 1-0640M-E0002.
- 15 PROVIDE DISTRIBUTION PANEL DP-B701. PROVIDE NEW CONNECTION TO MCC-M710.
- 16 DEMOLISH TRANSFORMER T1. REFER TO 1-0640M-E0013.
- 17 DEMOLISH TRANSFORMER T2. REFER TO 1-0640M-E0013.

LEGEND:

— EXISTING
 - - - NEW WORK
 - - - - - DEMOLISH

GENERAL NOTES:

1. CONTRACTOR SHALL INSTALL NEW CABLING AS MUCH AS POSSIBLE PRIOR TO SHUTDOWN.

DRAWING NUMBER	REFERENCE DRAWINGS
1-0640M-E0036	ELECTRICAL SINGLE LINE DIAGRAM, MCC-M730E
1-0640M-E0034	ELECTRICAL SINGLE LINE DIAGRAM, MCC-M720
1-0640M-E0033	MCC-M710 LAYOUT AND SCHEDULE
1-0640M-E0032	ELECTRICAL SINGLE LINE DIAGRAM, MCC-M710
1-0640M-E0020	ELECTRICAL SINGLE LINE DIAGRAM, MISCELLANEOUS DISTRIBUTION
1-0640M-E0013	ELECTRICAL EQUIPMENT PLAN, ELEC'L & CTRL RMS - DEMO
1-0640M-E0004	ELECTRICAL SINGLE LINE DIAGRAM, 600V DISTRIBUTION
1-0640M-E0003	ELECTRICAL SINGLE LINE DIAGRAM, 600V GENERATORS & SWGR
1-0640M-E0002	ELECTRICAL SINGLE LINE DIAGRAM, 4160V DISTRIBUTION
1-0640C-E0001	ELECTRICAL SINGLE LINE DIAGRAM, CHLORINE BUILDING
1-0640B-E0001	ELECTRICAL SINGLE LINE DIAGRAM, COLLECTION BUILDING

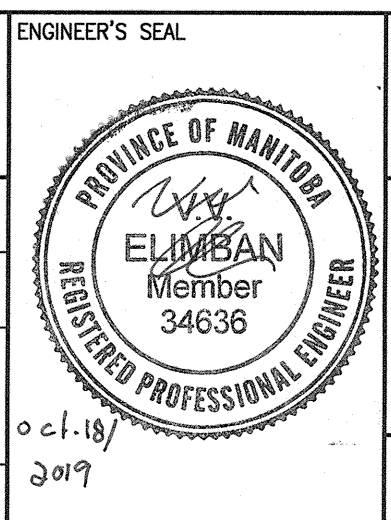


NO.	REVISIONS	DATE	DESIGN	CHECK
00	ISSUED FOR TENDER AND CONSTRUCTION	2019/10/18	VE	KS

SNC-LAVALIN

DESIGNED BY: V. ELIMBAN
 DRAWN BY: J. GRAGASIN
 SCALE: NTS
 DATE: 2019/06/03
 CONSULTANT NO.:

CHECKED BY: K. SAPIAK
 APPROVED BY: D. BECKER
 ISSUED FOR CONSTRUCTION BY: A. WEISS
 DATE: 2019/10/18



THE CITY OF WINNIPEG
 WATER AND WASTE DEPARTMENT

MCPHILLIPS PUMPING STATION
 ELECTRICAL AND HVAC UPGRADES, MCC REPLACEMENT
 CONSTRUCTION PLAN
 PHASE 2

CITY DRAWING NUMBER: 1-0640M-E0047
 SHEET: 001
 REV: 00
 SIZE: A1