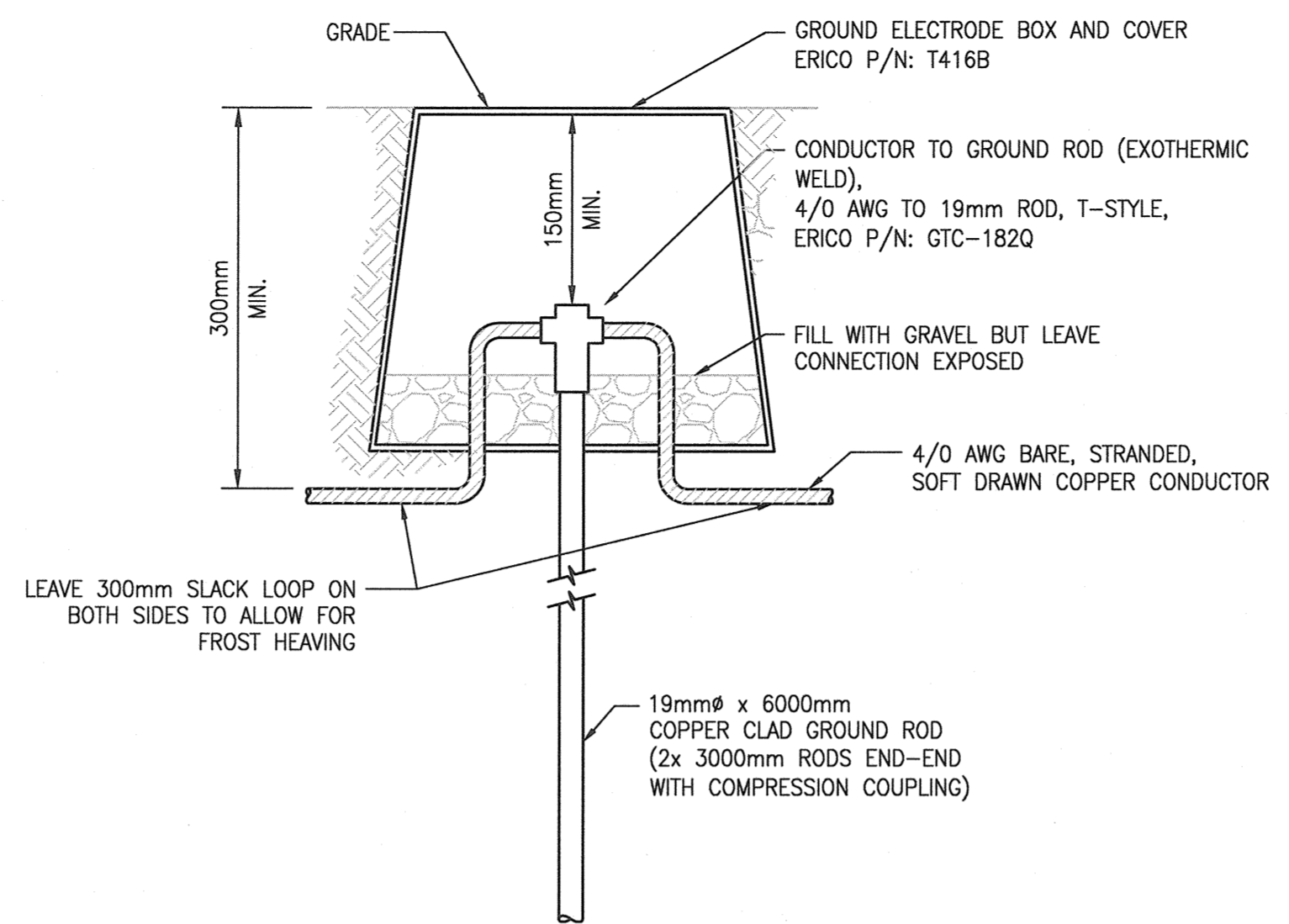
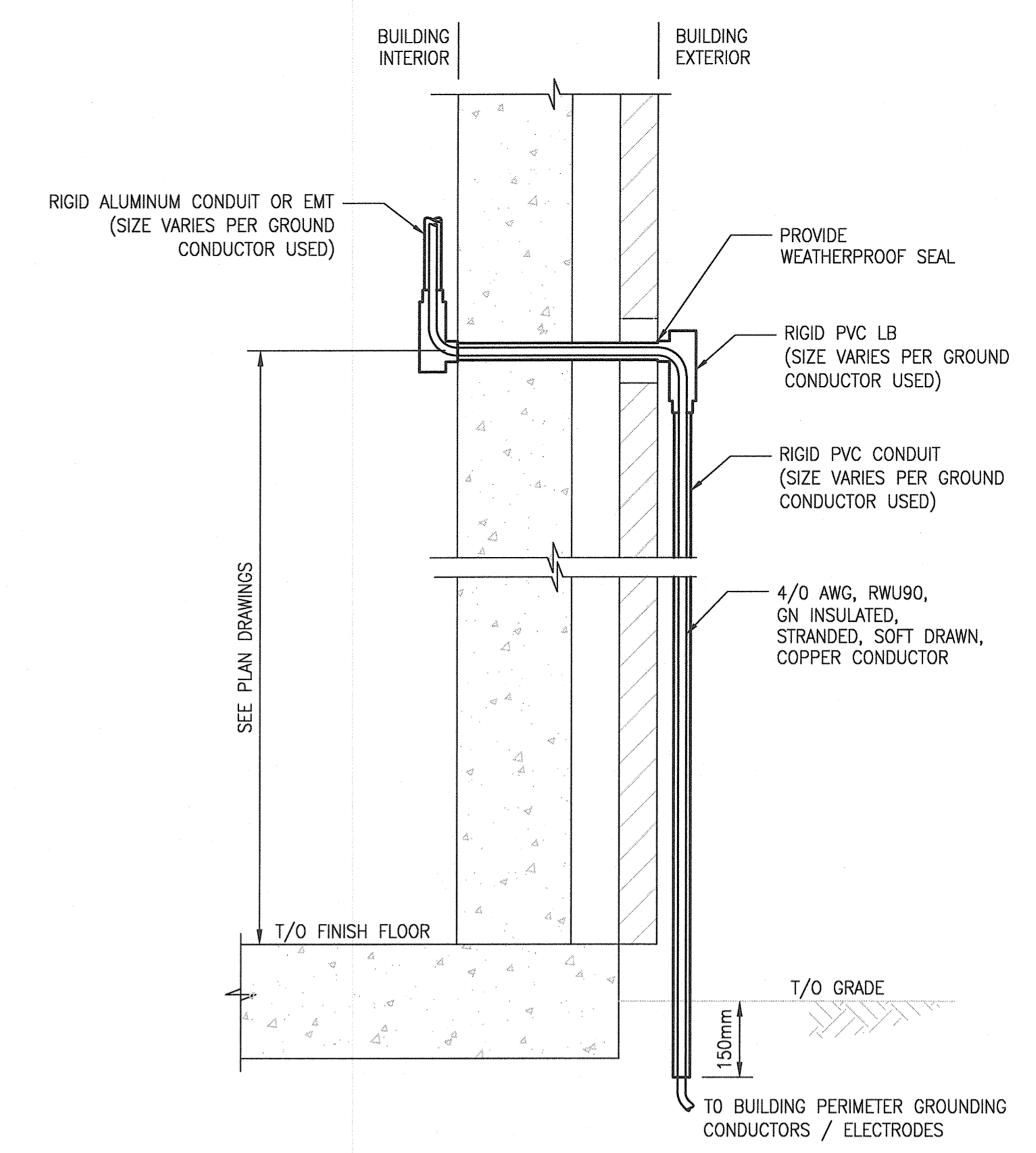


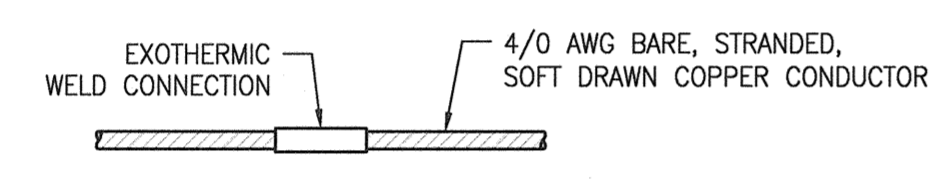
**A** GROUND ROD ASSEMBLY  
SCALE: NTS



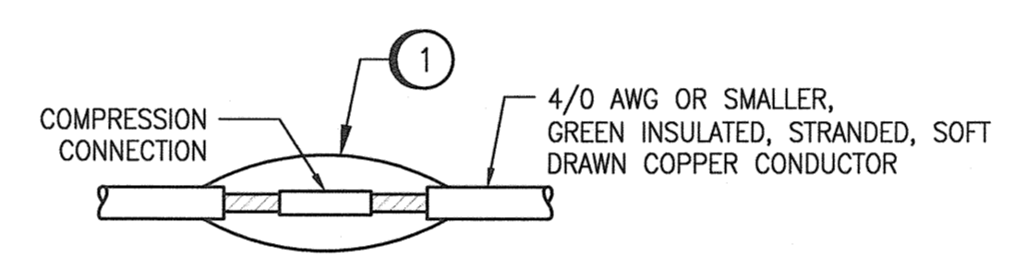
**B** GROUND ROD WITH GROUND WELL  
SCALE: NTS



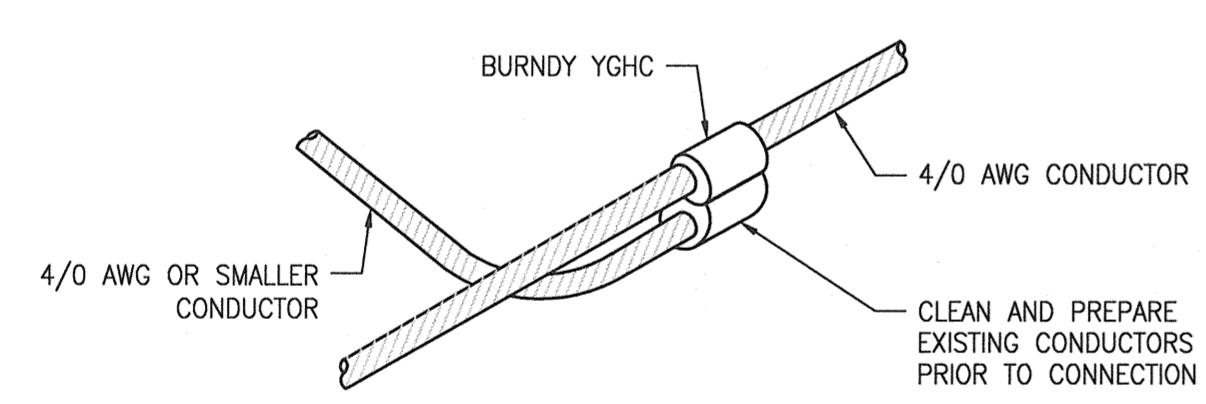
**C** TYPICAL BUILDING ENTRY ABOVE GROUND  
SCALE: NTS



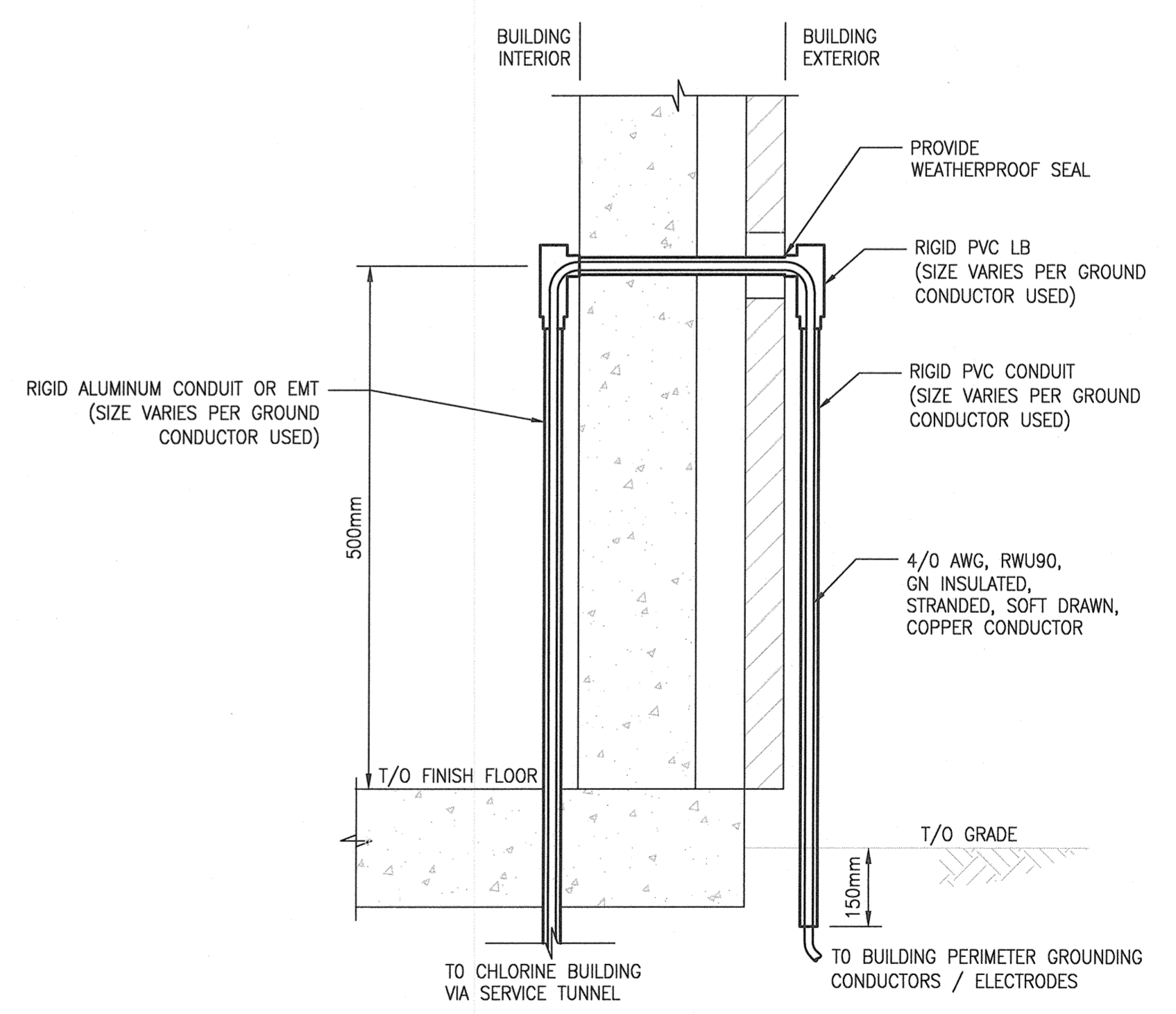
**D** GROUND CONDUCTOR SPLICE (BURIED)  
SCALE: NTS



**E** GROUND CONDUCTOR SPLICE (INDOORS)  
SCALE: NTS



**F** PARALLEL CONDUCTOR CONNECTION  
SCALE: NTS



**H** BUILDING ENTRY ABOVE GROUND FOR CHLORINE AREA GROUNDING  
SCALE: NTS

**GENERAL NOTES:**

- ALL PVC CONDUIT TO BE RIGID TYPE.
- ALL METALLIC CONDUIT TO BE RIGID, THREADED, ALUMINUM OR EMT.
- ALL SLACK CONDUCTOR LENGTHS TO ALLOW FOR FROST HEAVING AT INTERVALS WHERE GROUND CONDUCTORS ARE AFFIXED TO FACILITY STRUCTURES.
- ALL CONDUIT ROUTING SHALL BE APPROPRIATELY SUPPORTED.
- PROVIDE ROXTEC WEATHERPROOF SEAL TO ALL CONDUIT PENETRATIONS INTO THE BUILDING.

**CONSTRUCTION NOTES:**

- COVER ENTIRE BARE COPPER AREA WITH TWO WRAPS OF SELF-AMALGAMATING ELECTRICAL TAPE. COVER WITH ONE LAYER OF GREEN ELECTRICAL TAPE.

LAST SAVE: 2019/10/20 - 11:54am  
PATH: M:\661472\VENG\7ELE\DD - General DWG\01\_McPhillips\1-0640M-E0043-001-00.dwg

1-0640M-E0045	GROUNDING LAYOUT MAIN FLOOR
DRAWING NUMBER	REFERENCE DRAWINGS

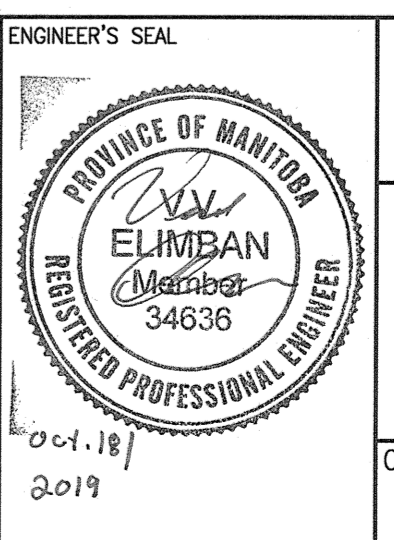


00	ISSUED FOR TENDER AND CONSTRUCTION	2019/10/18	VE	KS
NO.	REVISIONS	DATE	DESIGN	CHECK

**SNC-LAVALIN INC.**  
148 Nature Park Way  
Winnipeg, MB, Canada R3P 0X7  
204-786-8080

DESIGNED BY: V. ELIMBAN / S. JUGANAS  
CHECKED BY: K. SAPIAK  
DRAWN BY: V. ELIMBAN / S. JUGANAS  
APPROVED BY: D. BECKER  
SCALE: NTS  
ISSUED FOR CONSTRUCTION BY: A. WEISS  
DATE: 2019-03-25  
DATE: 2019/10/18

CONSULTANT NO.:



**THE CITY OF WINNIPEG**  
WATER AND WASTE DEPARTMENT

MCPHILLIPS PUMPING STATION  
ELECTRICAL AND HVAC UPGRADES, MCC REPLACEMENT  
ELECTRICAL GROUNDING  
INSTALLATION DETAILS

CITY DRAWING NUMBER: 1-0640M-E0043  
SHEET: 001  
REV: 00  
SIZE: A1