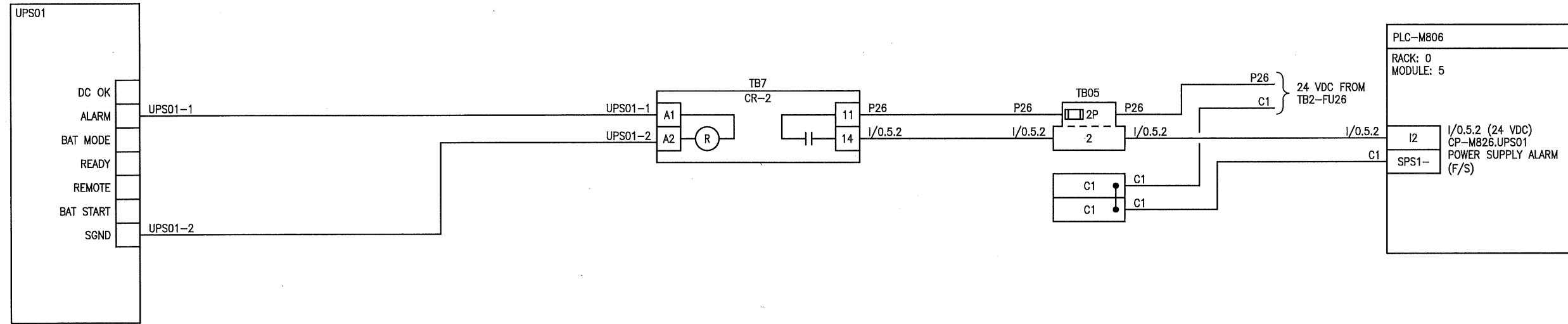


CP-M826



NOTES

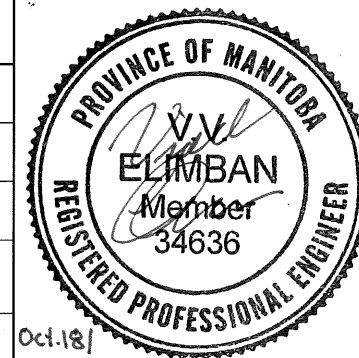
ASSOCIATED REFERENCE DRAWINGS:  
 1-0640M-A0051  
 1-0640M-A0054



**SNC-LAVALIN**

SNC-LAVALIN INC.  
 148 Nature Park Way  
 Winnipeg, MB, Canada R3P 0X7  
 204-786-8080

ENGINEER'S SEAL



**THE CITY OF WINNIPEG**  
 WATER AND WASTE DEPARTMENT

MCPHILLIPS PUMPING STATION

LOOP DIAGRAM  
 CP-M826.UPS01  
 POWER SUPPLY ALARM

| NO. | REVISIONS                          | DATE       | DESIGN | CHECK |
|-----|------------------------------------|------------|--------|-------|
| 00  | ISSUED FOR TENDER AND CONSTRUCTION | 2019/10/18 | SB     | BC    |

|                              |                           |
|------------------------------|---------------------------|
| DESIGNED BY:<br>S. BOGHOSIAN | CHECKED BY:<br>B. CLEVEN  |
| DRAWN BY:<br>C. DUBON        | APPROVED BY:<br>D. BECKER |
| SCALE:<br>NTS                | DATE:<br>2019/06/21       |
| ISSUED FOR CONSTRUCTION      |                           |
| BY:<br>A. WEISS              | DATE:<br>2019/10/18       |
| CONSULTANT NO.:              |                           |

|                                      |              |            |           |
|--------------------------------------|--------------|------------|-----------|
| CITY DRAWING NUMBER<br>1-0640M-A0073 | SHEET<br>001 | REV.<br>00 | SIZE<br>B |
|--------------------------------------|--------------|------------|-----------|