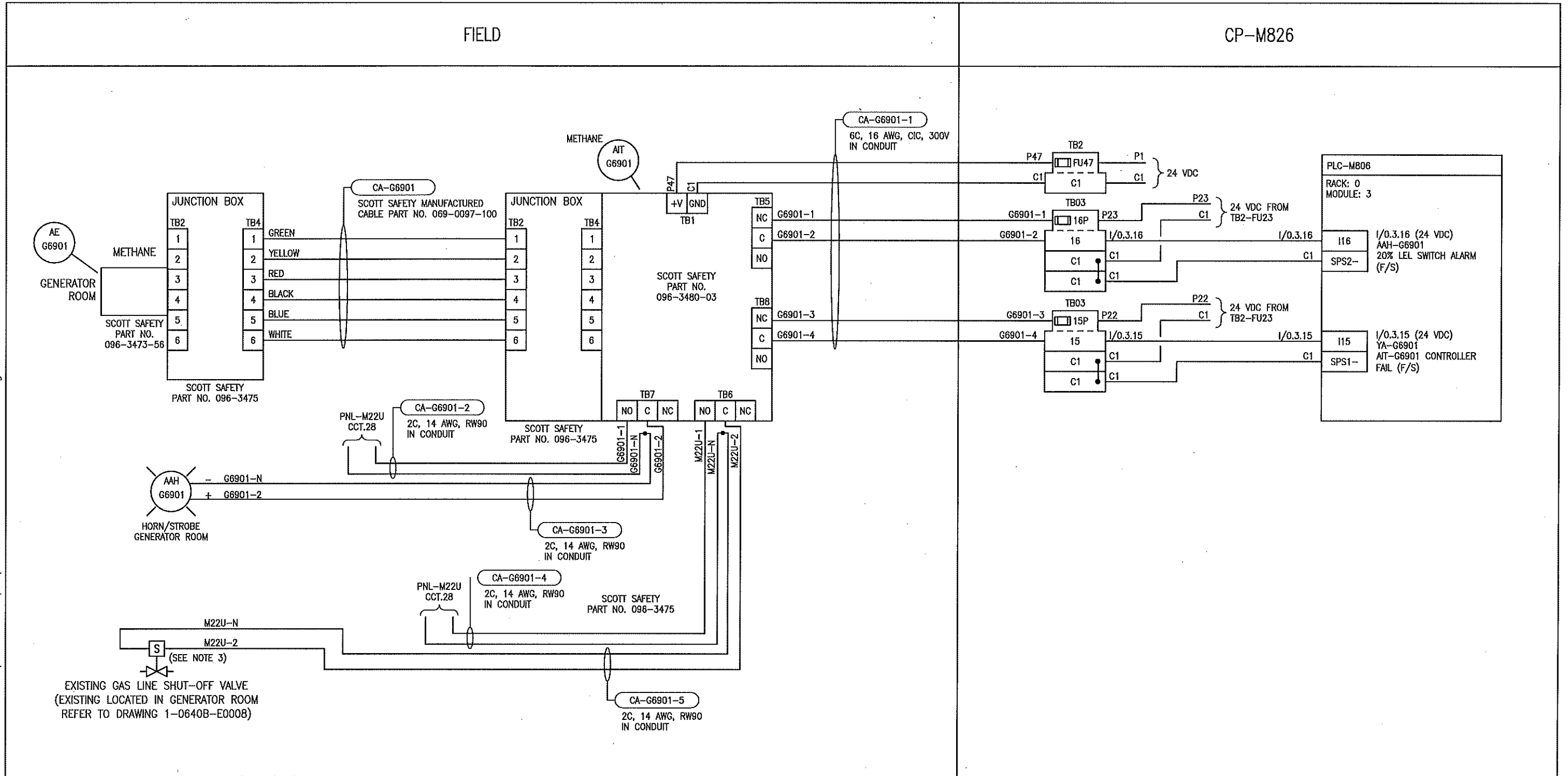


B SIZE - 279mm x 432mm

General DWG\01 McPhillips\1-0640B-A0002-001-00.dwg

LAST SAVE: 2019/10/30 - 9:01am
 PATH: M:\661472\4ENG\48C\DD -



NOTES:

- REFER TO MANUFACTURERS SHOP DRAWINGS FOR COMPLETE WIRING DETAILS. VERIFY ALL WIRING DETAILS WITH MANUFACTURER.
- ELECTRICAL CONTRACTOR TO PROVIDE ANY ADDITIONAL DEVICES NEEDED TO COMPLETE SYSTEM DESIGN.
- SHUT GAS VALVE AT 20% LEL DETECTION.

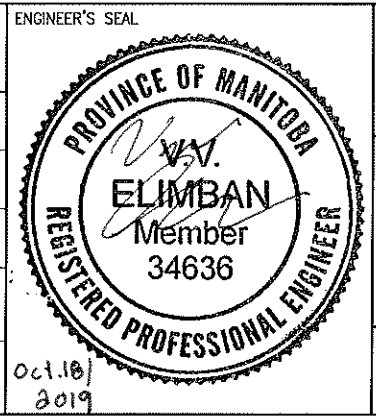
ASSOCIATED REFERENCE DRAWINGS:
 1-0640B-E0008
 1-0640M-A0051
 1-0640M-A0052

APEGM
 Certificate of Authorization
 SNC-Lavalin Inc.
 No. 4489

00	ISSUED FOR TENDER AND CONSTRUCTION	2019/10/18	VE	BC
NO.	REVISIONS	DATE	DESIGN	CHECK

SNC-LAVALIN INC.
 148 Nature Park Way
 Winnipeg, MB, Canada R3P 0X7
 204-786-8080

DESIGNED BY: V. ELIMBAN	CHECKED BY: B. CLEVEN
DRAWN BY: J. GRAGASIN	APPROVED BY: D. BECKER
SCALE: N.T.S.	DATE: 2019/06/25
ISSUED FOR CONSTRUCTION BY: A. WEISS	DATE: 2019/10/18
CONSULTANT NO.:	



THE CITY OF WINNIPEG
 WATER AND WASTE DEPARTMENT

MCPHILLIPS PUMPING STATION

LOOP DIAGRAM
 AIT-G6901
 METHANE LEL DETECTION - GENERATOR ROOM

CITY DRAWING NUMBER 1-0640B-A0002	SHEET 001	REV. 00	SIZE B
--------------------------------------	--------------	------------	-----------