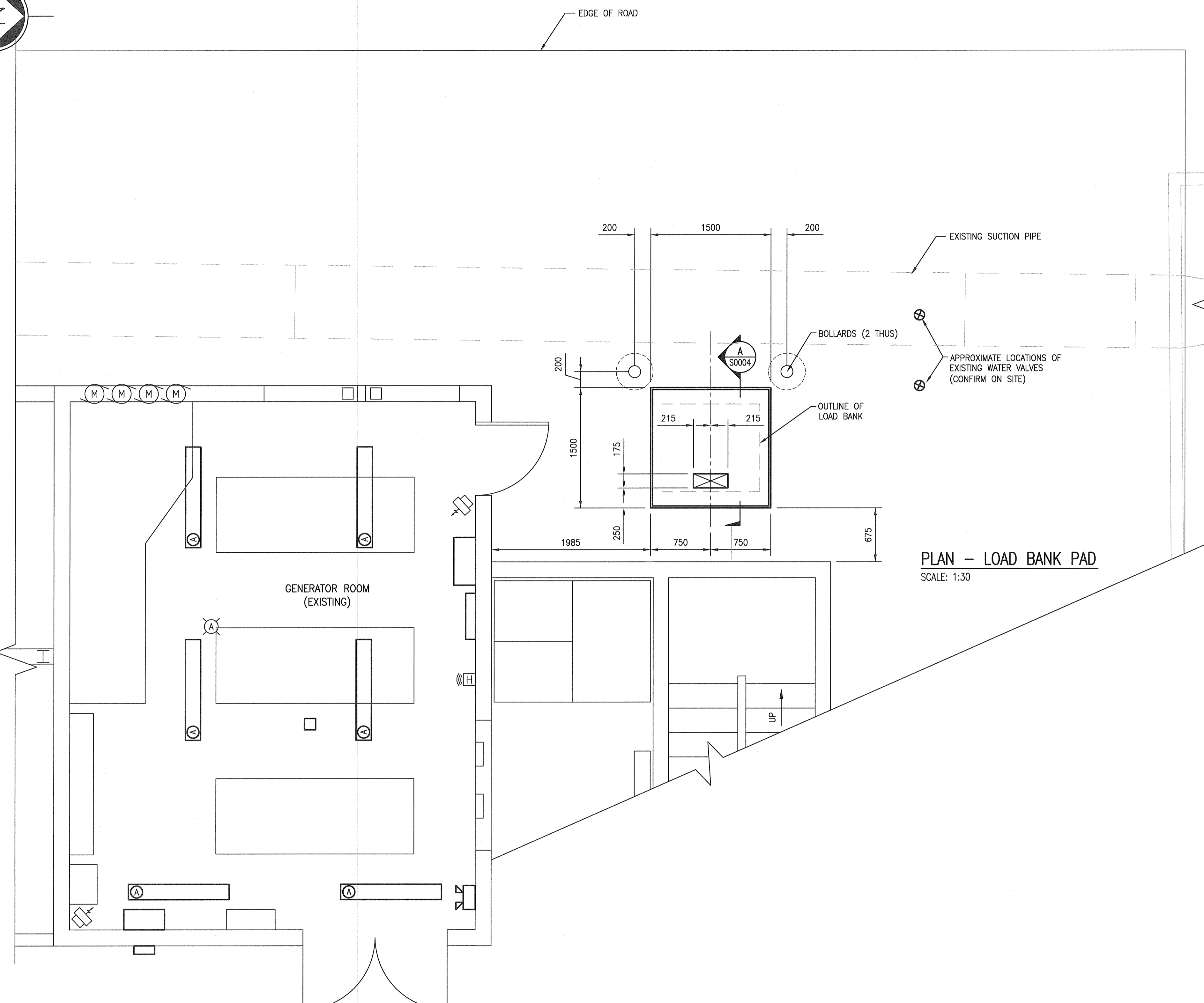
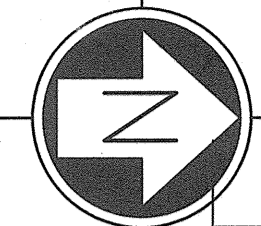
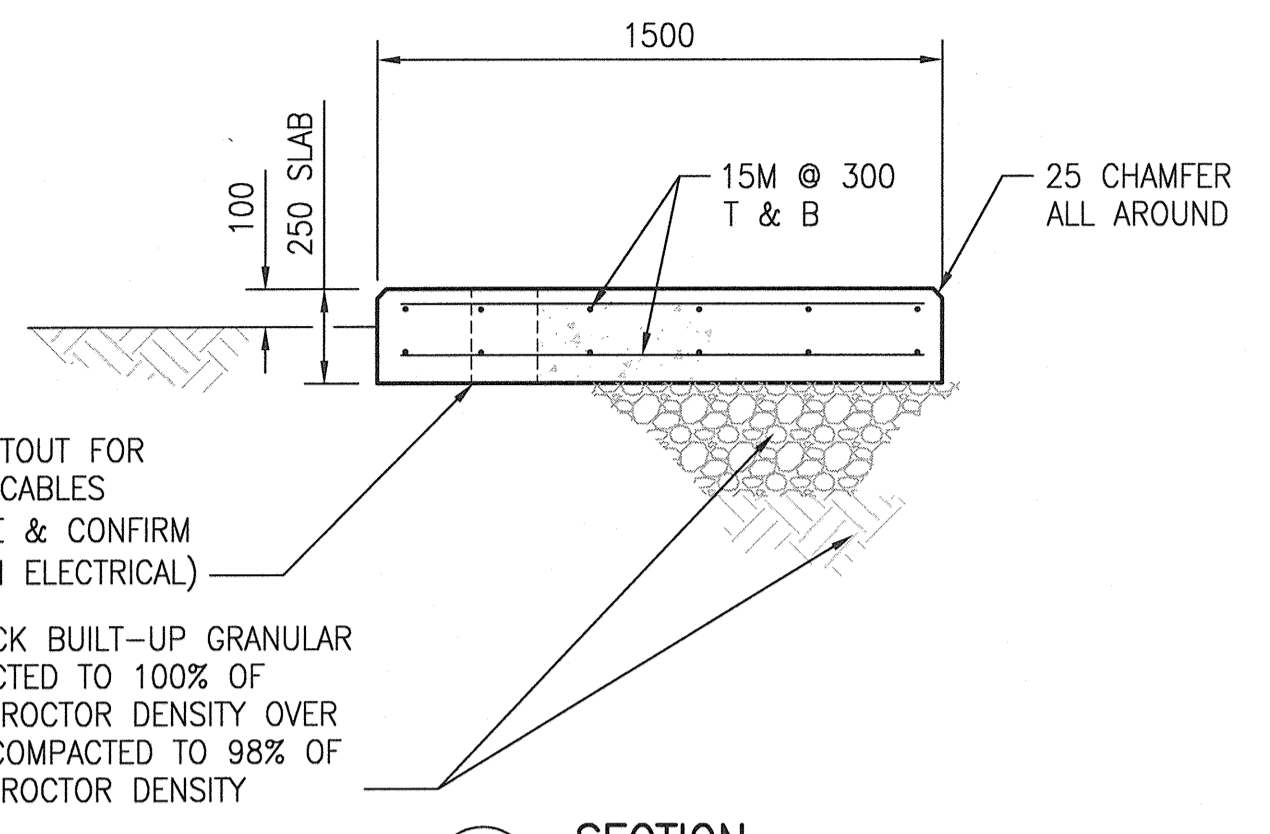


A1 SIZE - 594mm x 841mm



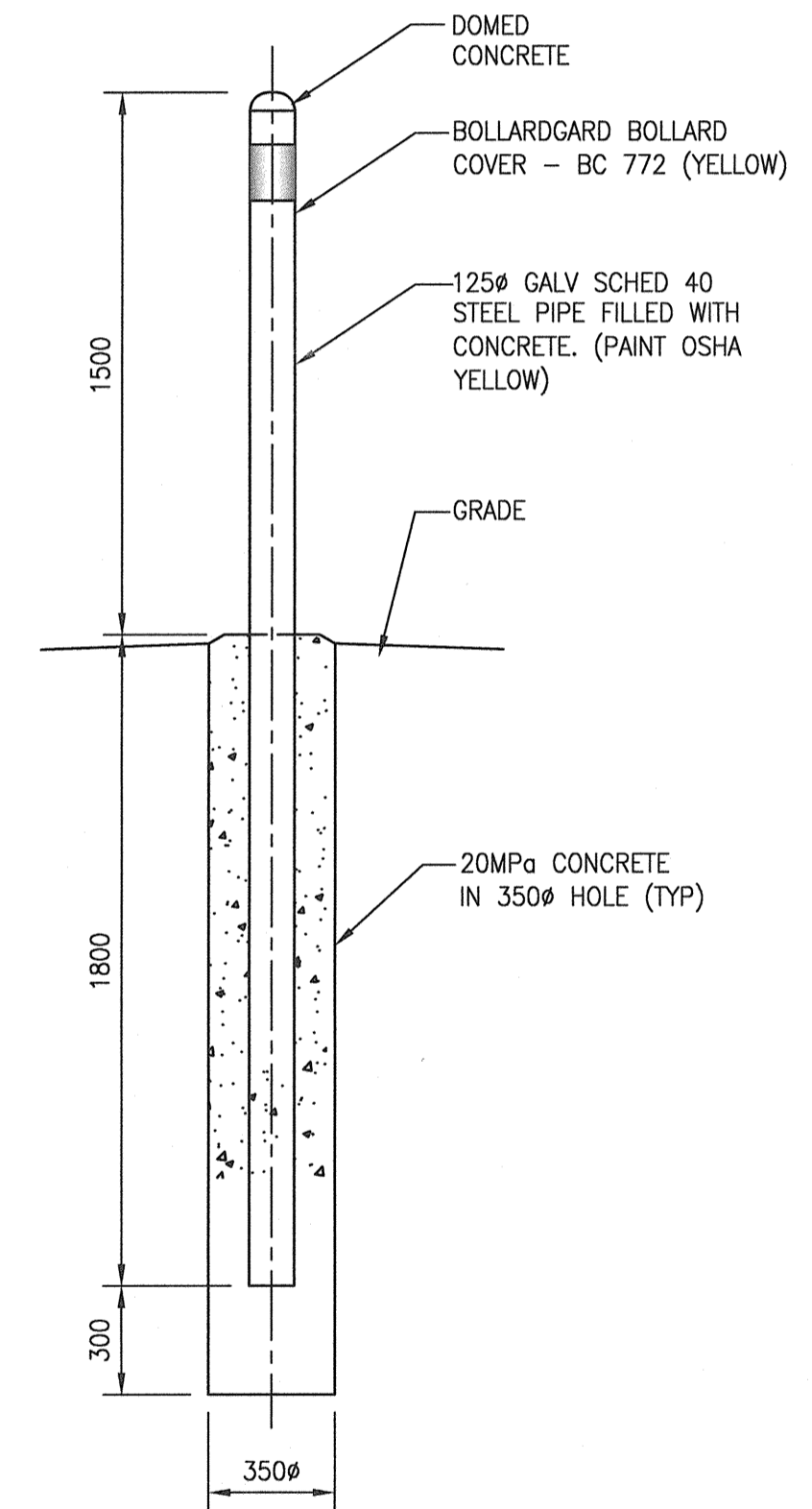
**PLAN - LOAD BANK PAD**  
SCALE: 1:30



175x430 CUTOUT FOR ELECTRICAL CABLES (COORDINATE & CONFIRM LAYOUT WITH ELECTRICAL)

300mm THICK BUILT-UP GRANULAR FILL COMPACTED TO 100% OF STANDARD PROCTOR DENSITY OVER SUBGRADE COMPACTED TO 98% OF STANDARD PROCTOR DENSITY

**SECTION A-50004**  
SCALE: 1 : 20



**TYPICAL BOLLARD DETAIL**  
SCALE: 1 : 20

LAST SAVE: 2019/11/04 - 8:51am  
PATH: M:\661472\FENC\25STR\DD - General DWG\01 McPhillips\1-0640A-S0004-001.dwg

1-0640B-E0008-001	ELECTRICAL EQUIPMENT PLAN
1-0640A-F0001-0001	SITE PLAN
DRAWING NUMBER	REFERENCE DRAWINGS



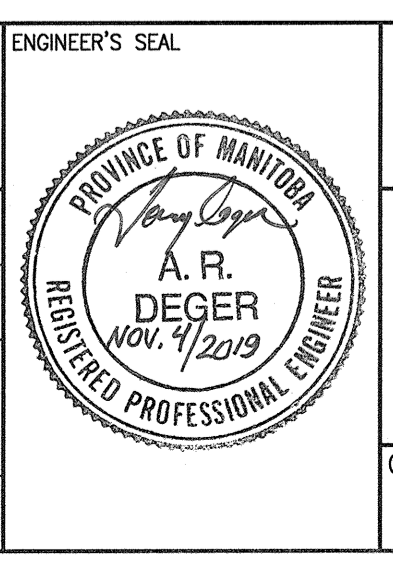
NO.	REVISIONS	DATE	DESIGN	CHECK
00	ISSUED FOR TENDER AND CONSTRUCTION	2019/11/04	TD	TD

**SNC-LAVALIN INC.**  
148 Nature Park Way  
Winnipeg, MB, Canada R3P 0X7  
204-786-8080

DESIGNED BY: T. DEGER  
DRAWN BY: K. McINTOSH  
SCALE: AS NOTED  
DATE: 2019/07/02

CHECKED BY: T. DEGER  
APPROVED BY: D. BECKER  
BY: A. WEISS  
DATE: 2019/11/04

CONSULTANT NO.:



**THE CITY OF WINNIPEG**  
WATER AND WASTE DEPARTMENT

MCPHILLIPS PUMPING STATION  
COLLECTION BUILDING  
STRUCTURAL  
LDB-G767 LOAD BANK  
PLAN AND DETAILS

CITY DRAWING NUMBER	SHEET	REV.	SIZE
1-0640A-S0004	001	00	A1

1-0640A-S0004-001.dwg