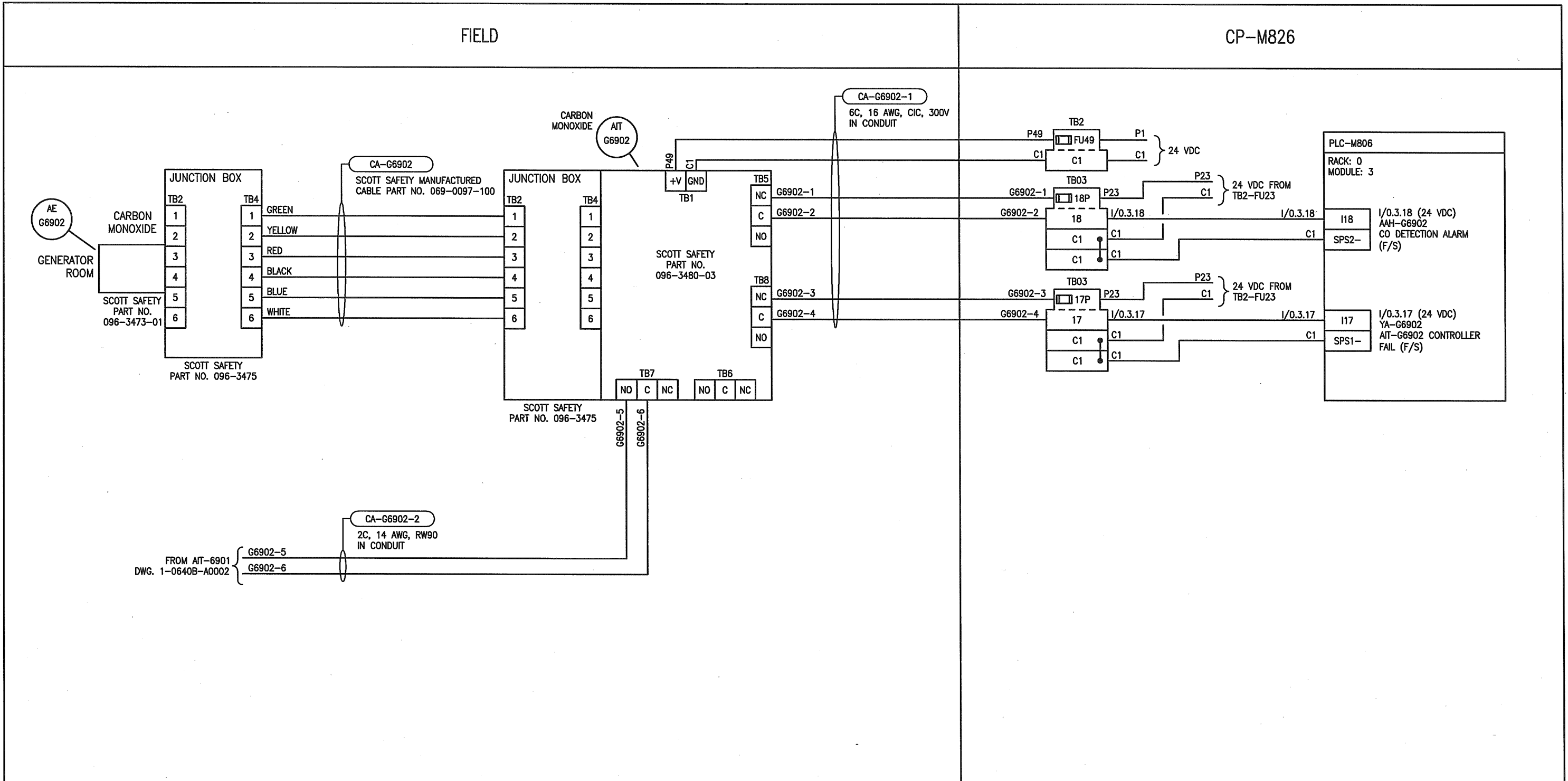


LAST SAVE: 2020/01/06 - 11:55am
 PATH: M:\661472\4ENG\48C\DD - General DWG\01 McPhillips\WIP ADDENDUM 3 - Instrumentation\1-0640B-A0003-00B-500Edwg 279mm x 432mm



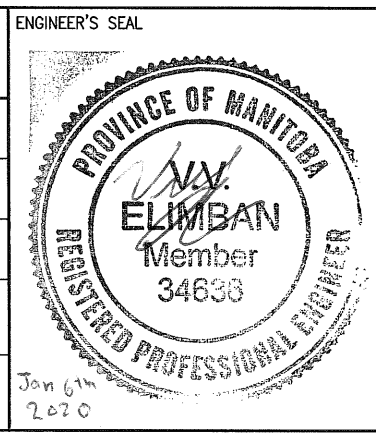
NOTES:

- REFER TO MANUFACTURERS SHOP DRAWINGS FOR COMPLETE WIRING DETAILS. VERIFY ALL WIRING DETAILS WITH MANUFACTURER.
- ELECTRICAL CONTRACTOR TO PROVIDE ANY ADDITIONAL DEVICES NEEDED TO COMPLETE SYSTEM DESIGN.

ASSOCIATED REFERENCE DRAWINGS:
 1-0640B-E0008
 1-0640B-A0002
 1-0640M-A0051
 1-0640M-A0052

APEGM
 Certificate of Authorization
 SNC-Lavalin Inc.
 No. 4489

		SNC-LAVALIN INC. 148 Nature Park Way Winnipeg, MB, Canada R3P 0X7 204-786-8080	
		DESIGNED BY: V. ELIMBAN	CHECKED BY: V. ELIMBAN
		DRAWN BY: J. GRAGASIN	APPROVED BY: D. BECKER
		SCALE: N.T.S.	DATE: 2019/12/19
		ISSUED FOR CONSTRUCTION BY: A. WEISS DATE: --	
		CONSULTANT NO.:	
00	ADDENDUM 3 - ISSUED FOR TENDER & CONSTRUCTION	2020/01/06	VE VE
NO.	REVISIONS	DATE	DESIGN CHECK



THE CITY OF WINNIPEG
 WATER AND WASTE DEPARTMENT

MCPHILLIPS PUMPING STATION

LOOP DIAGRAM
 AIT-G6902
 CARBON MONOXIDE DETECTION - GENERATOR ROOM

CITY DRAWING NUMBER	SHEET	REV.	SIZE
1-0640B-A0003	001	00	B