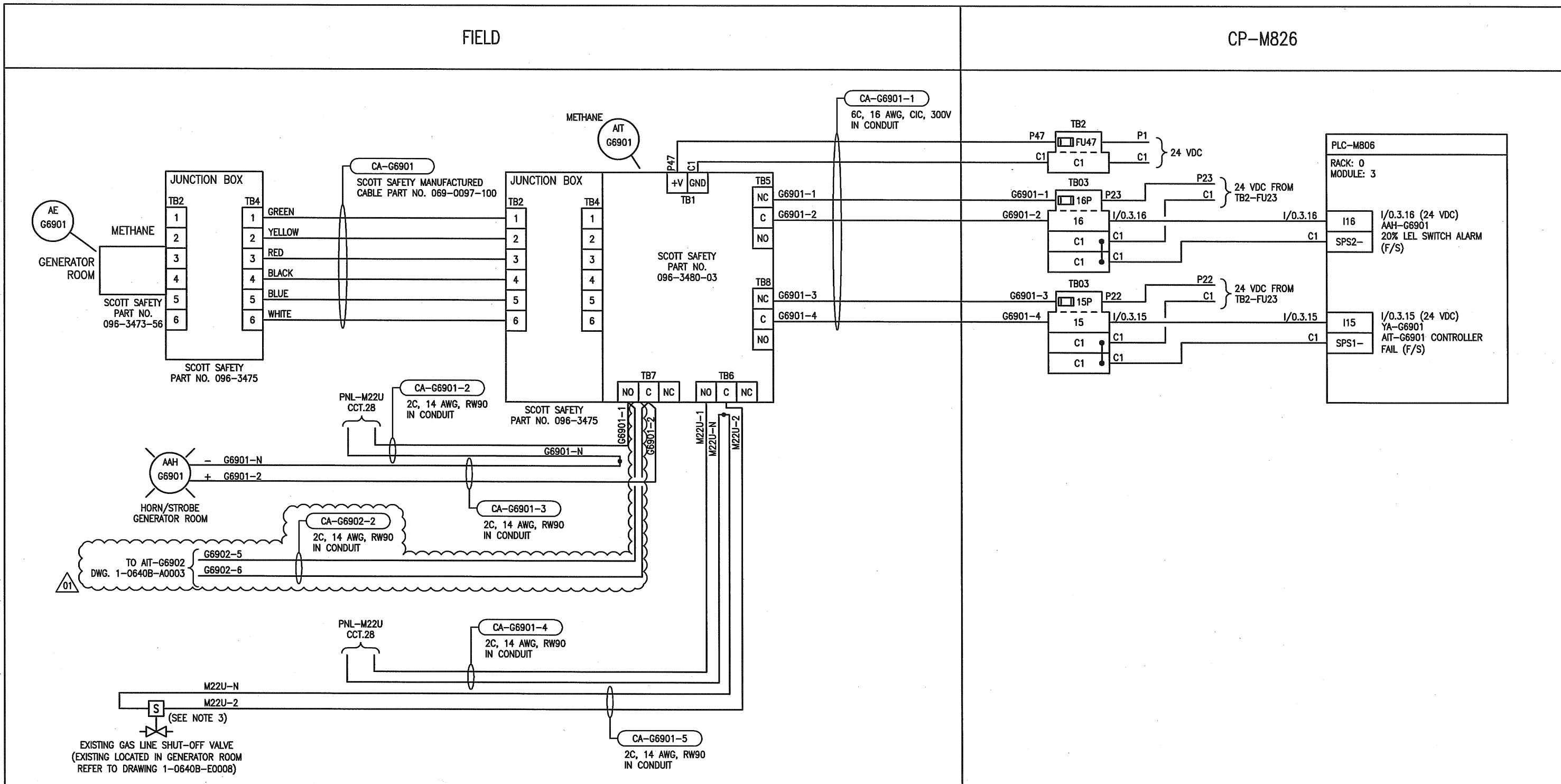


LAST SAVE: 2020/01/06 - 12:04pm  
 PATH: M:\661472\4ENG\48C\DD - General DWG\01 McPhillips\WIP ADDENDUM 3 - Instrumentation\1-0640B-A0002-008-501Edwg 279mm x 432mm



**NOTES:**

- REFER TO MANUFACTURERS SHOP DRAWINGS FOR COMPLETE WIRING DETAILS. VERIFY ALL WIRING DETAILS WITH MANUFACTURER.
- ELECTRICAL CONTRACTOR TO PROVIDE ANY ADDITIONAL DEVICES NEEDED TO COMPLETE SYSTEM DESIGN.
- SHUT GAS VALVE AT 20% LEL DETECTION.

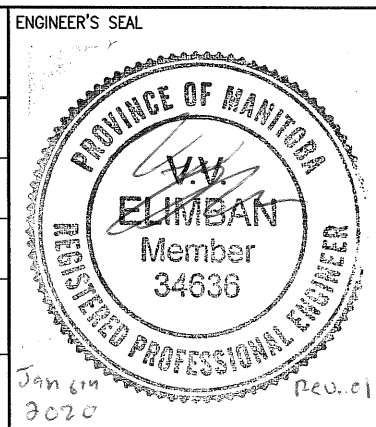
ASSOCIATED REFERENCE DRAWINGS:  
 1-0640B-E0008  
 1-0640B-A0003  
 1-0640M-A0051  
 1-0640M-A0052

**APEGM**  
 Certificate of Authorization  
 SNC-Lavalin Inc.  
 No. 4489

<b>SNC-LAVALIN</b>				
01	ISSUED FOR ADDENDUM 3	2020/01/06	VE	VE
00	ISSUED FOR TENDER AND CONSTRUCTION	2019/10/18	VE	BC
NO.	REVISIONS	DATE	DESIGN	CHECK

**SNC-LAVALIN INC.**  
 148 Nature Park Way  
 Winnipeg, MB, Canada R3P 0X7  
 204-786-8080

DESIGNED BY: V. ELIMBAN	CHECKED BY: B. CLEVEN
DRAWN BY: J. GRAGASIN	APPROVED BY: D. BECKER
SCALE: N.T.S.	DATE: 2019/06/25
ISSUED FOR CONSTRUCTION	
BY: A. WEISS	DATE: 2019/10/18
CONSULTANT NO.:	



**THE CITY OF WINNIPEG**  
 WATER AND WASTE DEPARTMENT

MCPHILLIPS PUMPING STATION

LOOP DIAGRAM  
 AIT-G6901  
 METHANE LEL DETECTION - GENERATOR ROOM

CITY DRAWING NUMBER	SHEET	REV.	SIZE
1-0640B-A0002	001	01	B