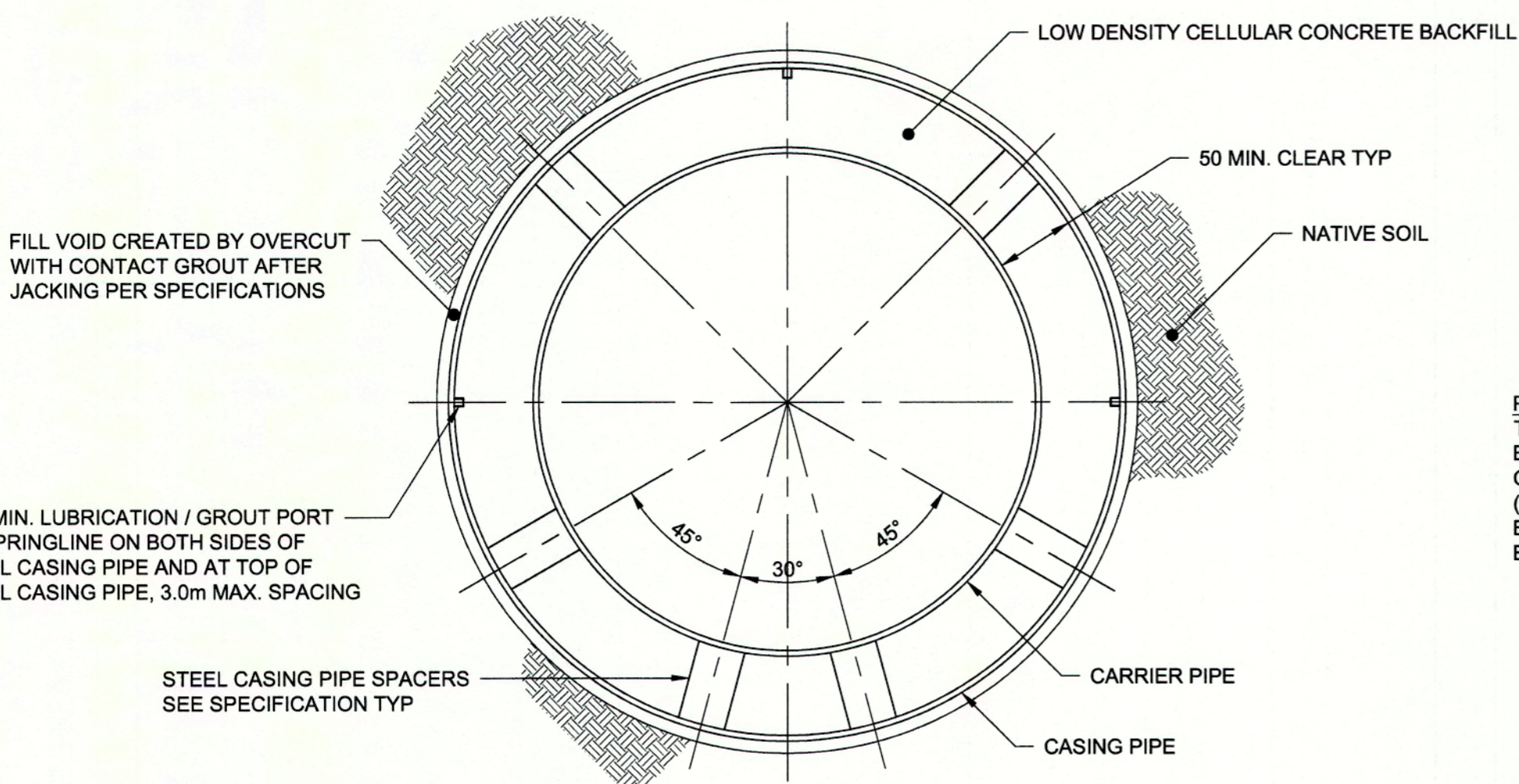


NOTE:
1. ADJUST BLOCKING HEIGHTS TO MAINTAIN CARRIER PIPE SLOPE AND INVERTS AS INDICATED ON THE DRAWINGS.

DETAIL

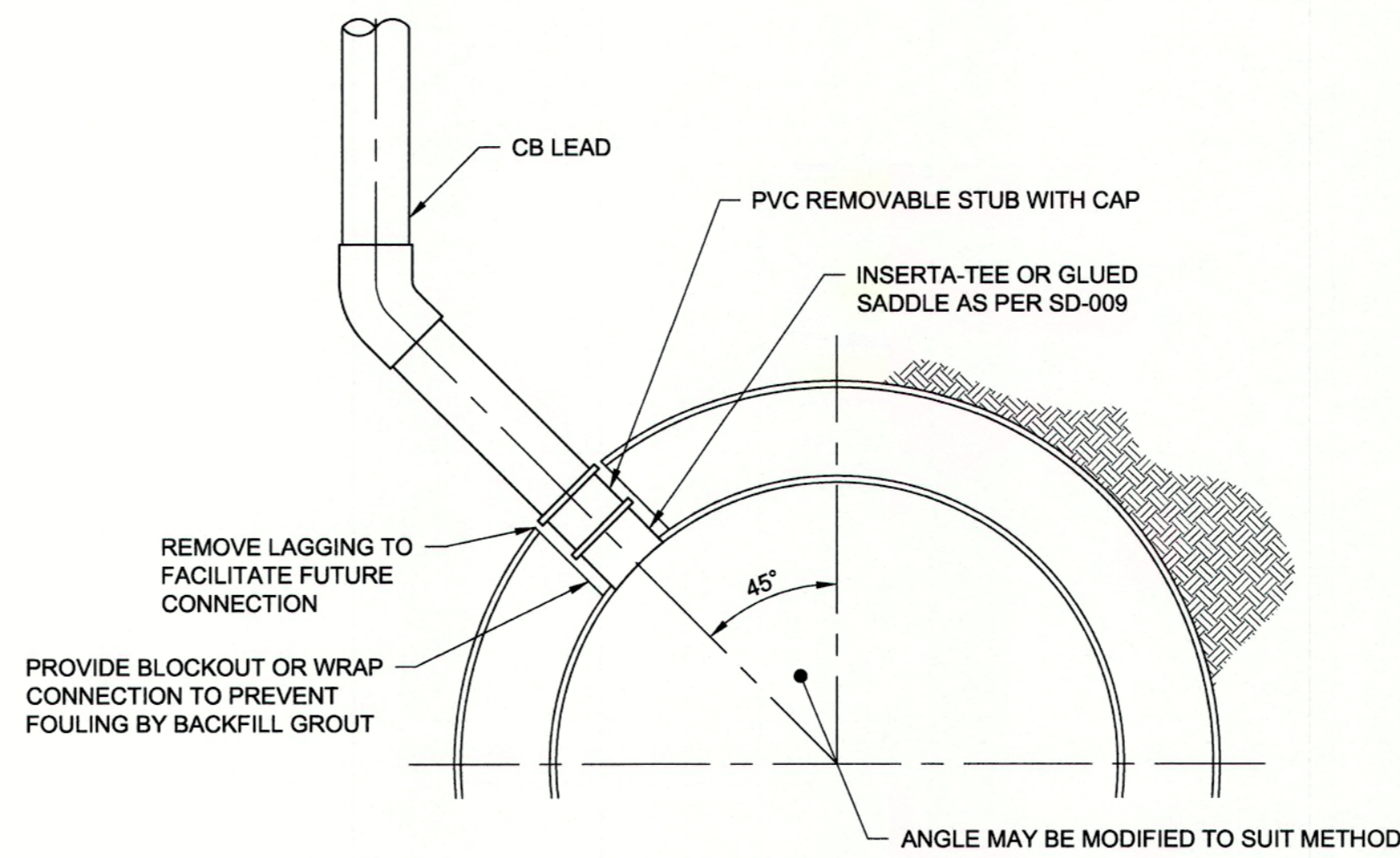
TWO PASS TUNNEL RIB & WOOD LAGGING



NOTE:
1. ALTERNATIVE CASING DIAMETER MAY BE PROPOSED BY THE CONTRACTOR, SUBJECT TO CONTRACT REQUIREMENTS AND CONTRACT ADMINISTRATOR'S APPROVAL.

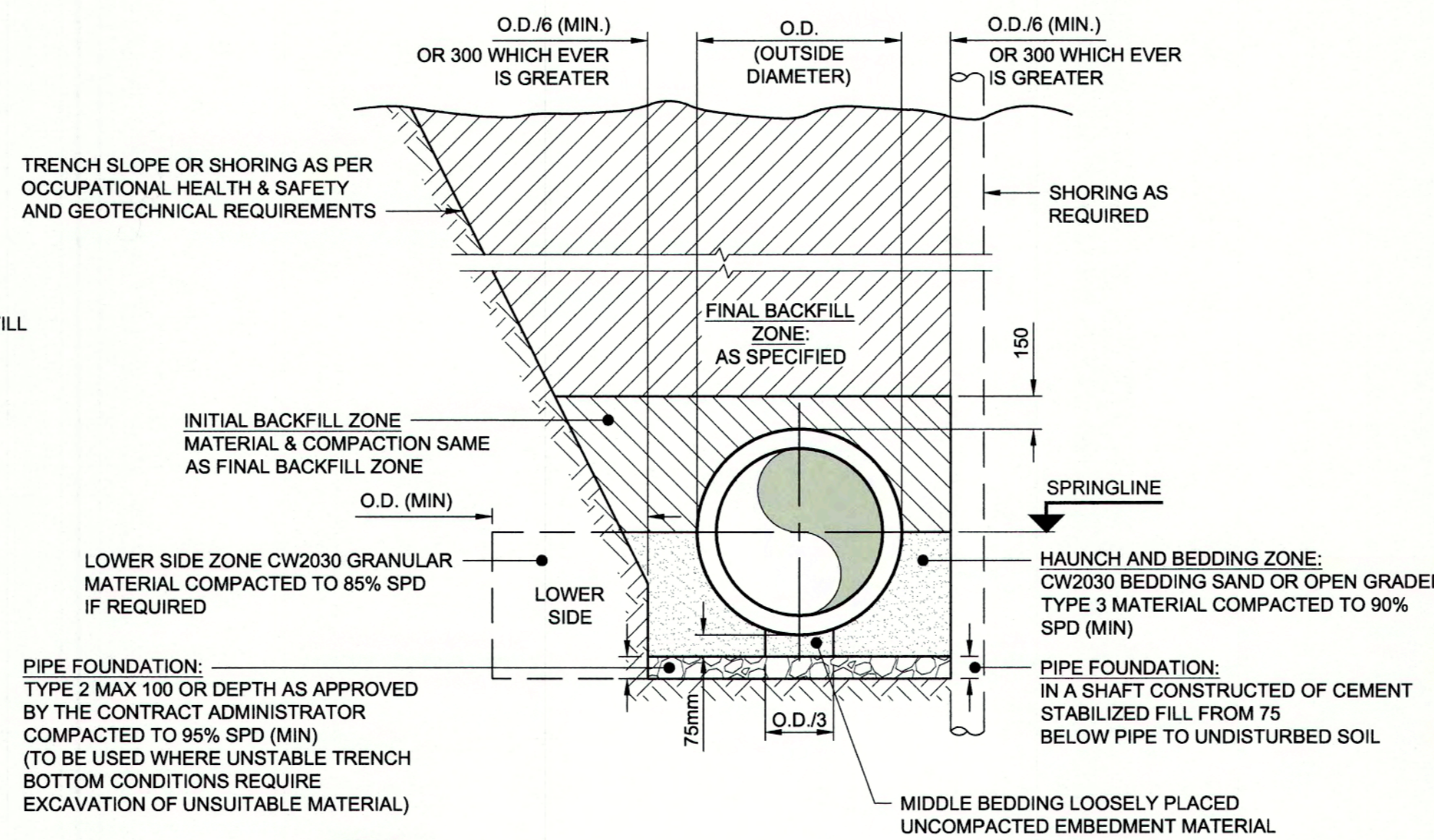
DETAIL

TWO PASS STEEL CASING PIPE



DETAIL

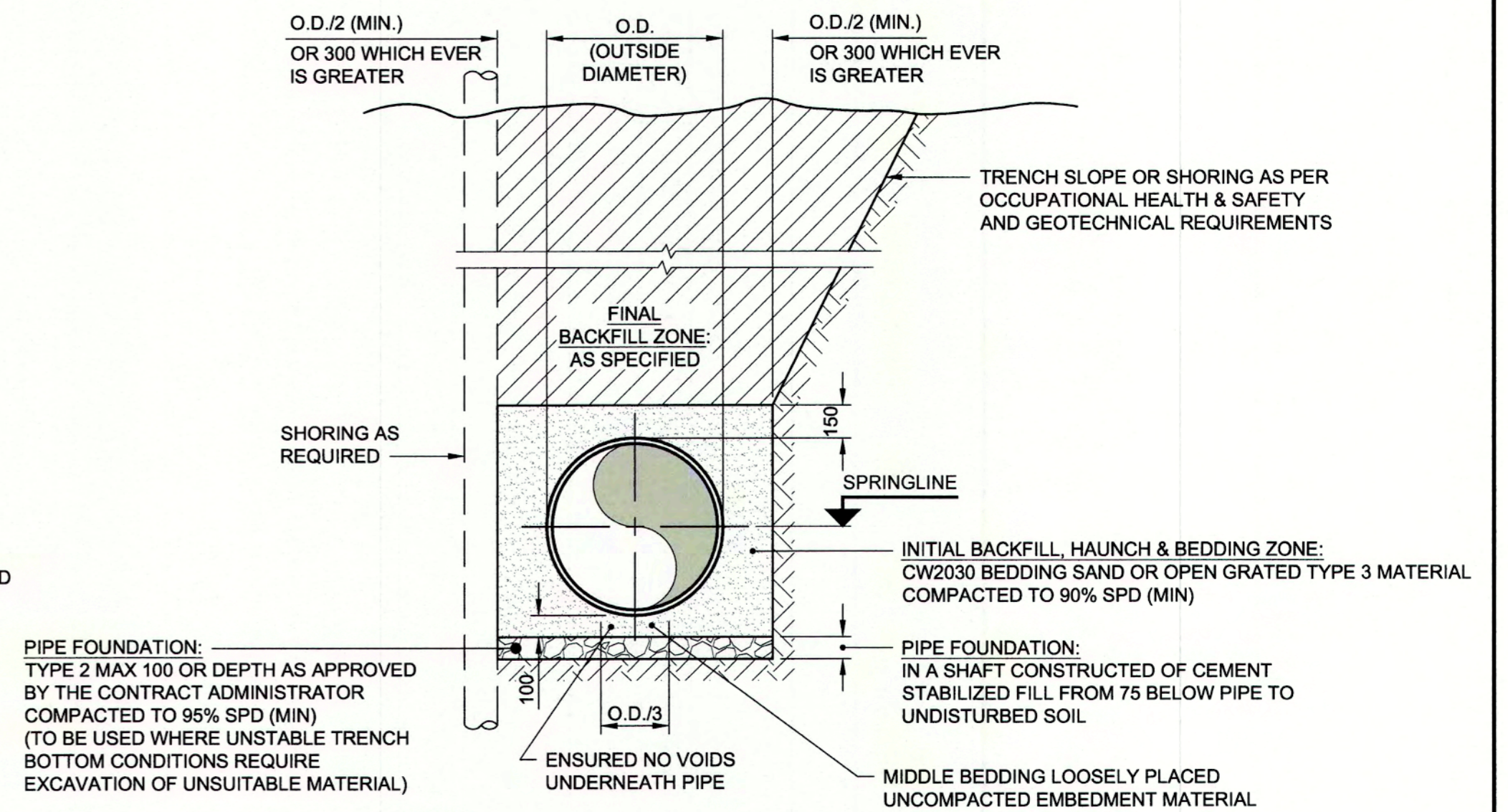
CONNECTION DETAIL FOR CATCHBASIN TO CCFRPP



NOTES:
1. ANY OPEN GRADED GRANULAR MATERIALS SHALL BE WRAPPED WITH A NON-WOVE GEOTEXTILE, SEAMS SHALL BE OVERLAPPED 300 (MIN).

DETAIL

REINFORCED CONCRETE PIPE TYPE 2 SIDD



NOTE:
ANY OPEN GRADED GRANULAR MATERIALS SHALL BE WRAPPED WITH A NON-WOVE GEOTEXTILE, SEAMS SHALL BE OVERLAPPED 300 (MIN).

DETAIL

CCFRPP

ENGINEERS GEOSCIENTISTS MANITOBA
Certificate of Authorization
AECOM Canada Ltd.
No. 4671 Date: Dec 23, 2019

LOCATION APPROVED UNDERGROUND STRUCTURES		B.M. ELEV.
SUPV. U/G STRUCTURES COMMITTEE	DATE	
NOTE: LOCATION OF UNDERGROUND STRUCTURES AS SHOWN ARE BASED ON THE BEST INFORMATION AVAILABLE BUT NO GUARANTEE IS GIVEN THAT ALL EXISTING UTILITIES ARE SHOWN OR THAT THE GIVEN LOCATIONS ARE EXACT. CONFIRMATION OF EXISTENCE AND EXACT LOCATION OF ALL SERVICES MUST BE OBTAINED FROM THE INDIVIDUAL UTILITIES BEFORE PROCEEDING WITH CONSTRUCTION.		
0	ISSUED FOR CONSTRUCTION	19/12/23 ADL
NO.	REVISIONS	DATE BY

AECOM	
DESIGNED BY: JAT	CHECKED BY: Mh
DRAWN BY: ADL	APPROVED BY: [Signature]
SCALE: HORIZONTAL AS NOTED	RELEASED FOR CONSTRUCTION: [Signature]
VERTICAL AS NOTED	DATE: 2019 12 23
PLOT DATE: 2019 12 23	

ENGINEER'S SEAL
PROVINCE OF MANITOBA
J.A. THOMPSON
Member
30632
REGISTERED PROFESSIONAL ENGINEER
CONSULTANT DRAWING NUMBER
C-5001

THE CITY OF WINNIPEG
WATER AND WASTE DEPARTMENT
ENGINEERING DIVISION

JEFFERSON EAST COMBINED SEWER RELIEF
CONTRACT 5 - SIMPLE TRUNK SEWER
STANDARD DETAILS
TWO-PASS TUNNELING & PIPE INSTALLATION

SHEET 30 OF 30
CITY DRAWING NUMBER
LD-9622