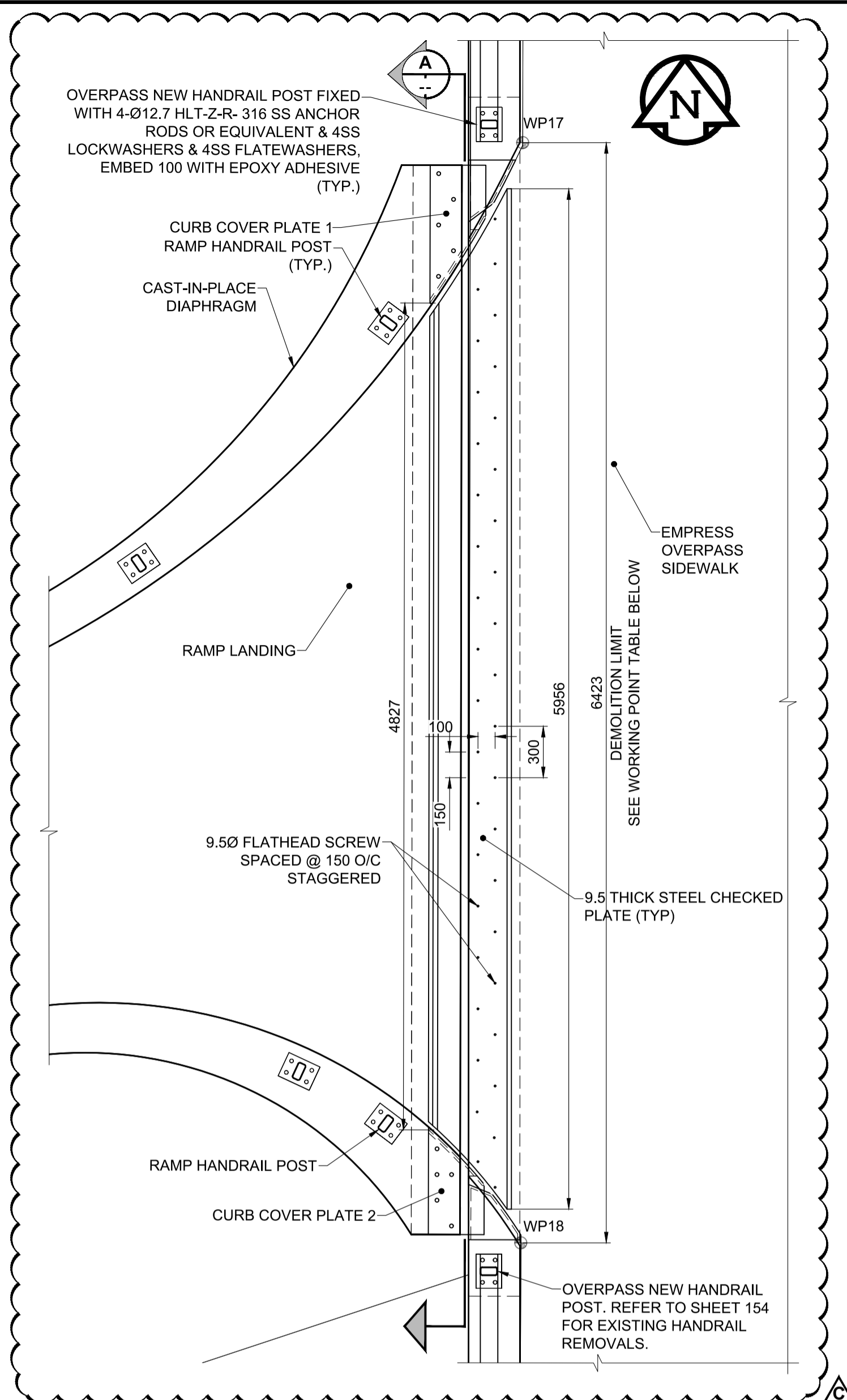
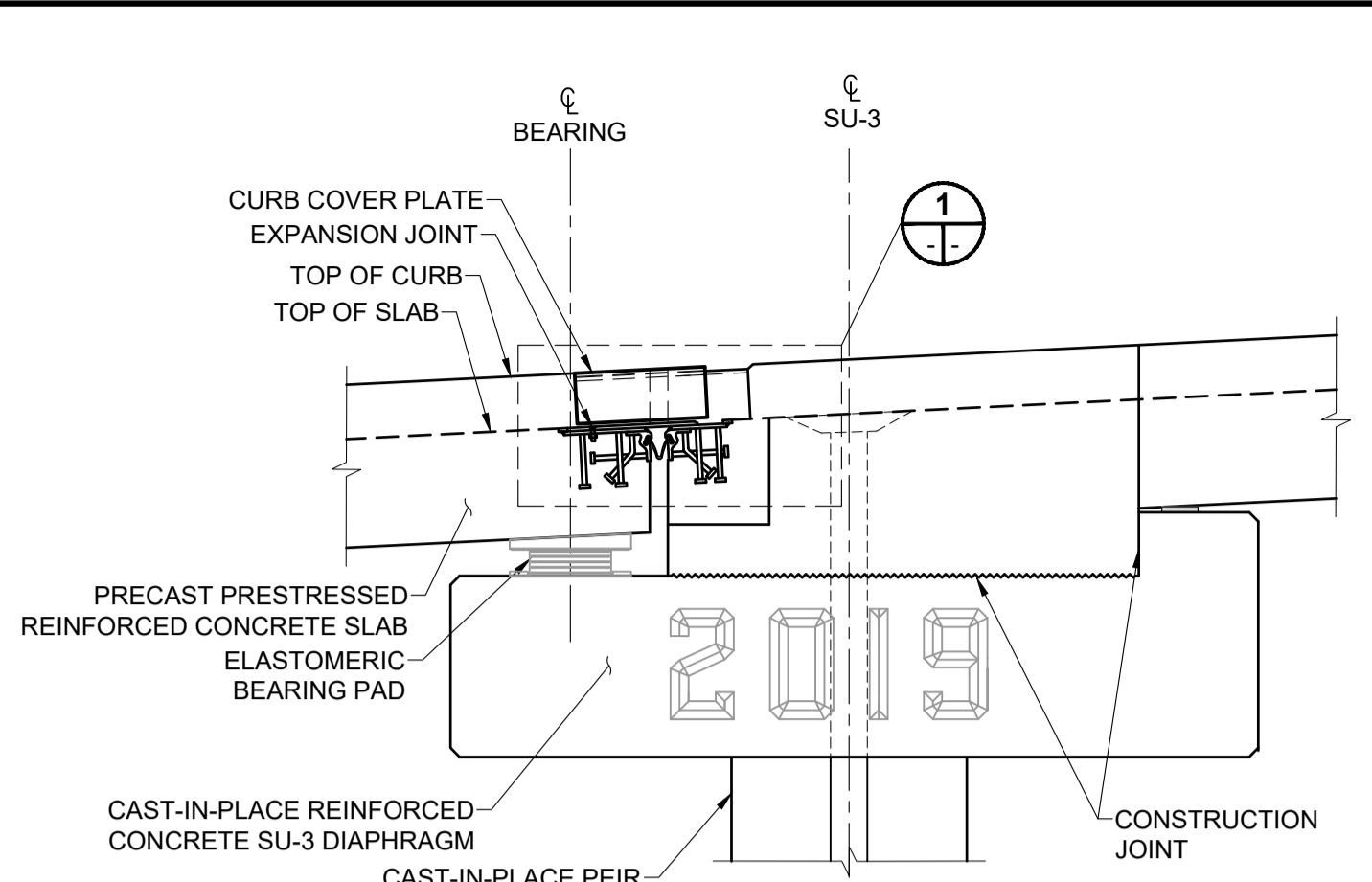


ISO A1 - 594mm x 841mm

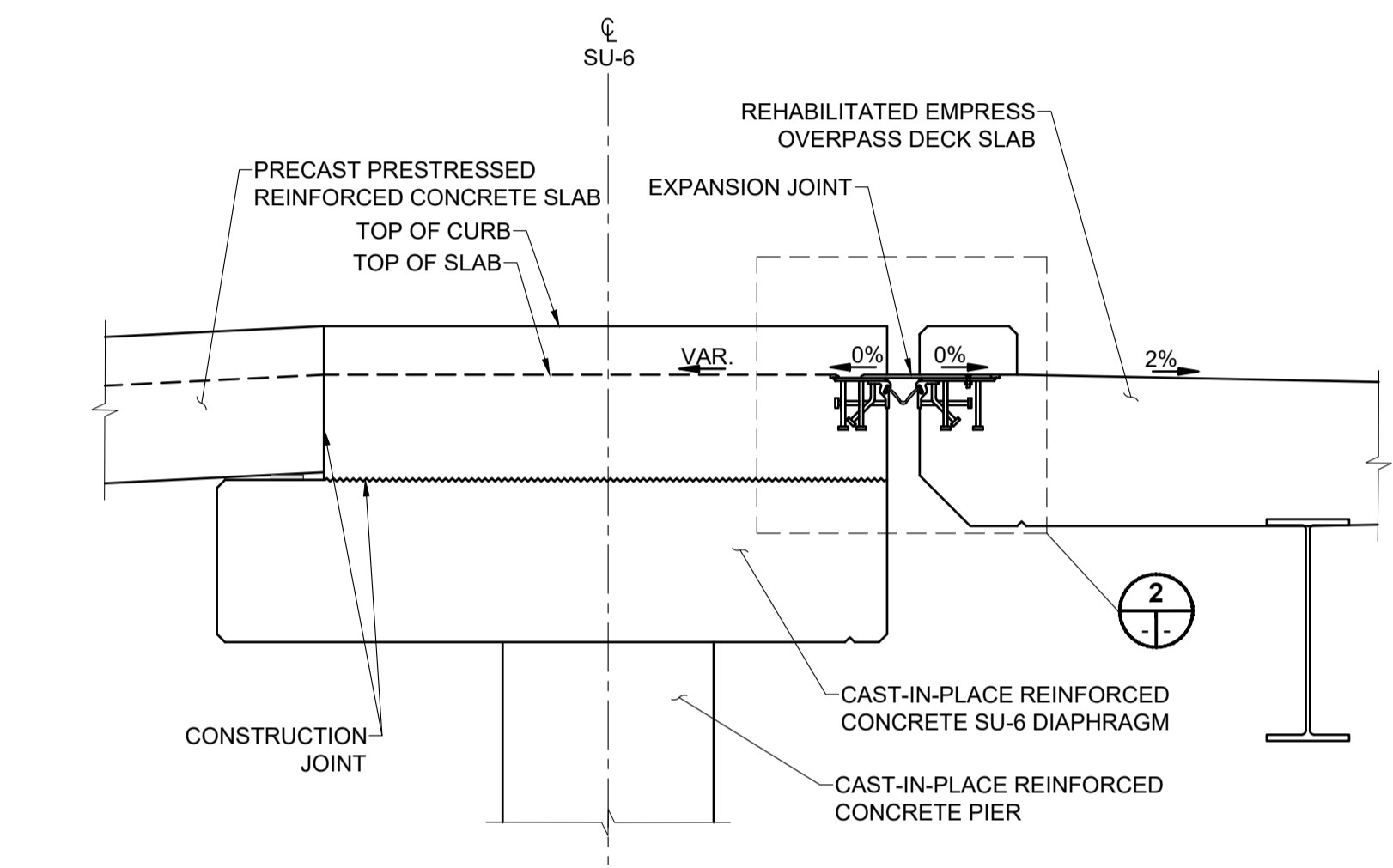
O:\Winipco\Proj\W160034\Drawings\06_Sheets\Detailed Design\Structural\Pedestrian Ramps\W160034 - DD_NR.dwg
 Last Saved: 10/05/2018 3:48 PM by: AHeppner
 Pinned: 10/05/2018 4:10 PM by: AHeppner



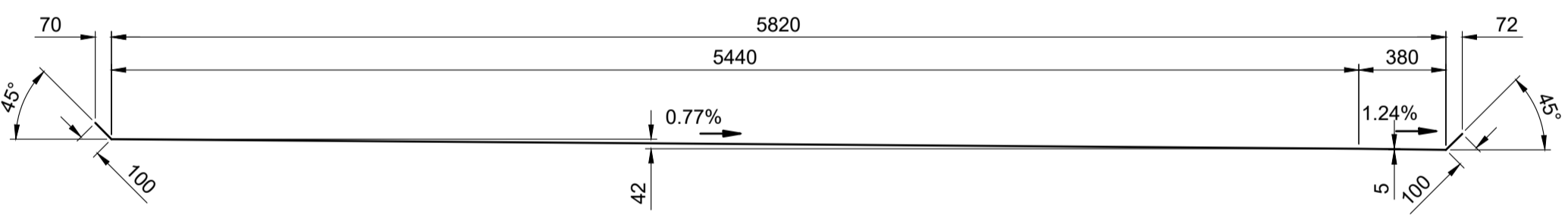
SU 6 EXPANSION JOINT PLAN
SCALE: 1:25



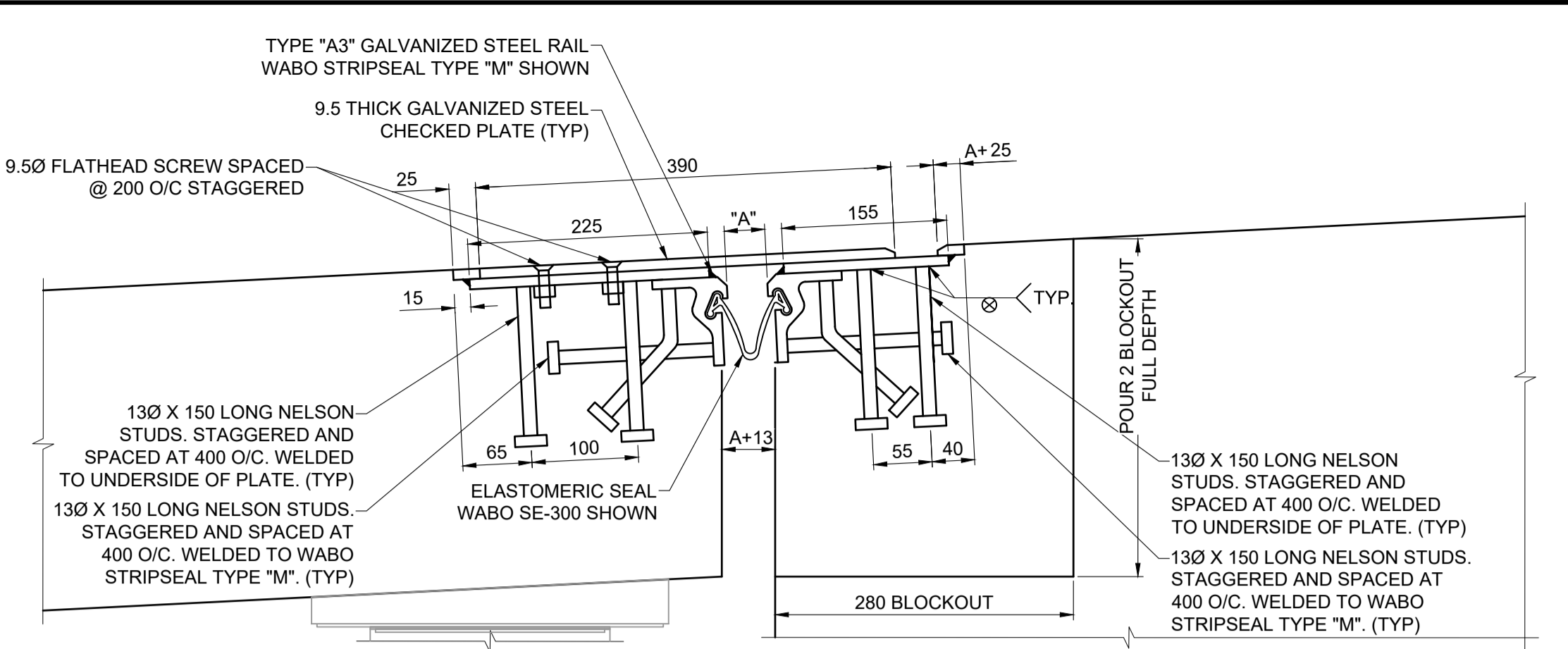
SU 3 EXPANSION JOINT
SCALE: 1:20



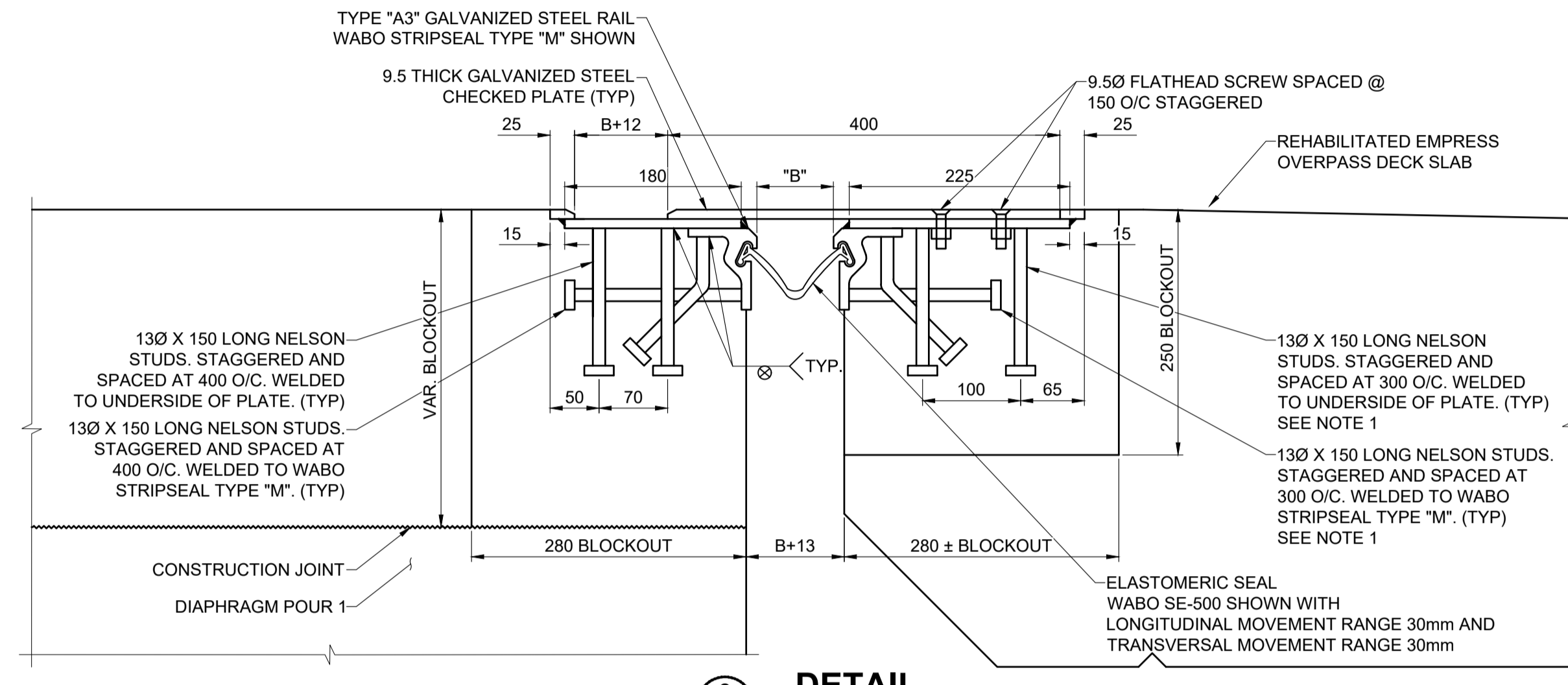
SU 6 EXPANSION JOINT
SCALE: 1:20



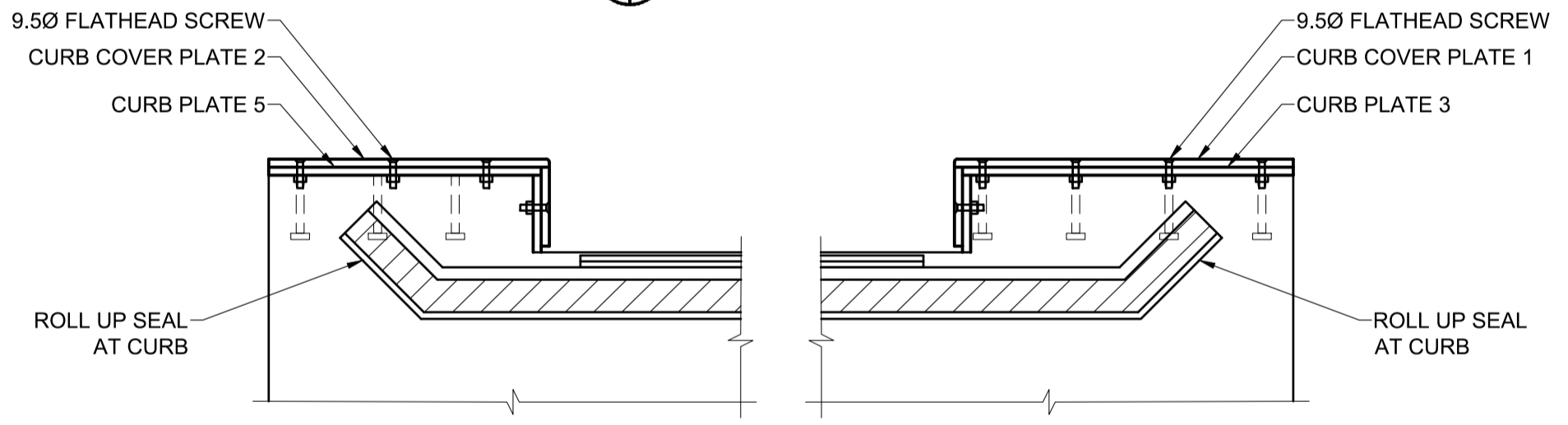
PROFILE DETAIL - SU 6 EDGE BEAMS
SCALE: 1:25



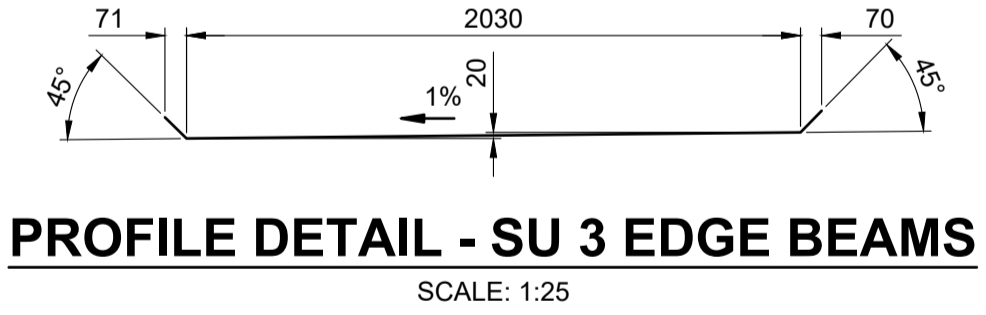
DETAIL
SCALE: 1:5



DETAIL
SCALE: 1:5

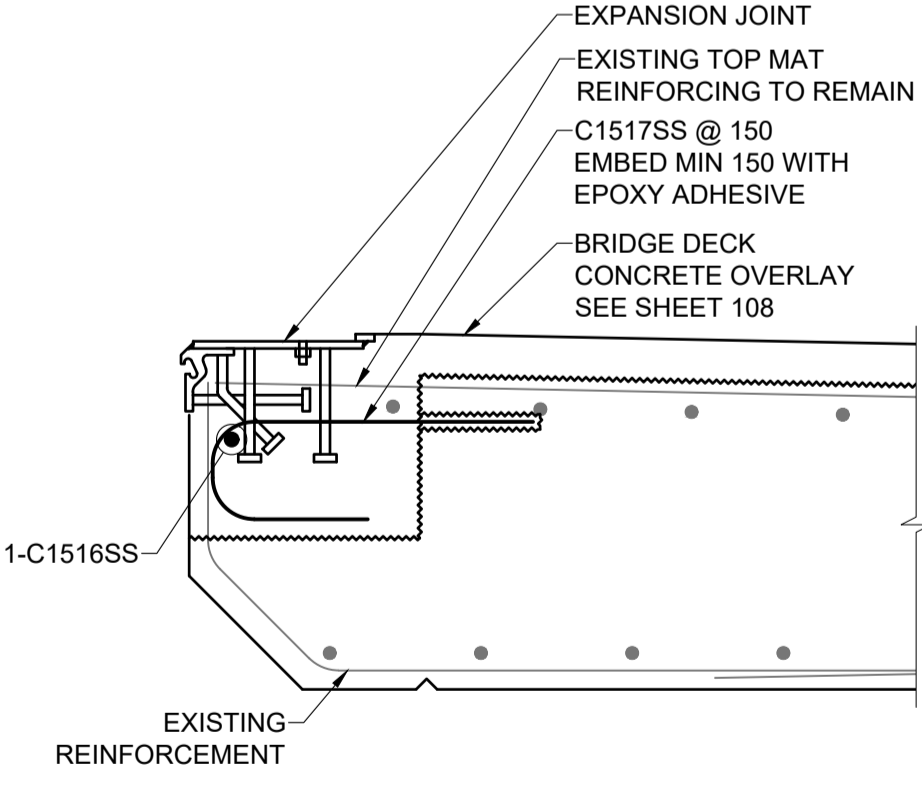


SECTION
SCALE: 1:10

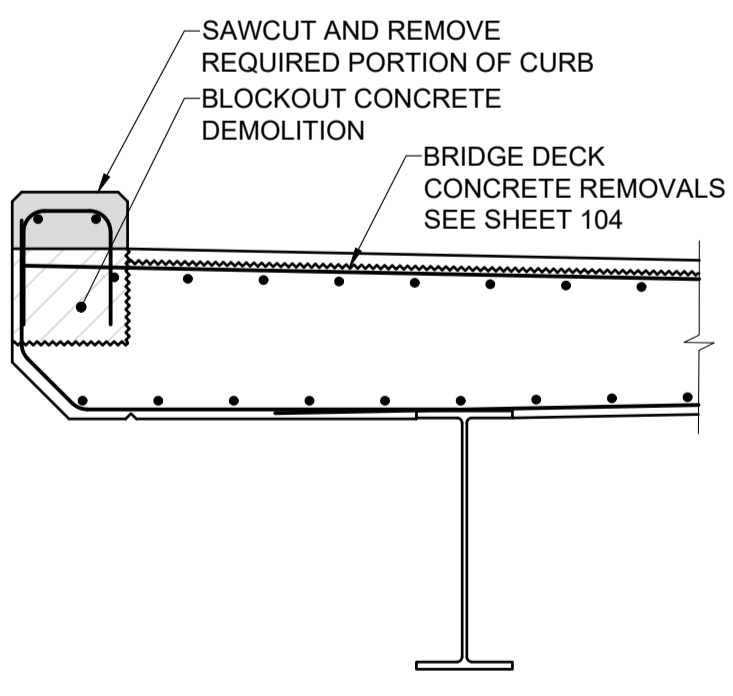


PROFILE DETAIL - SU 3 EDGE BEAMS
SCALE: 1:25

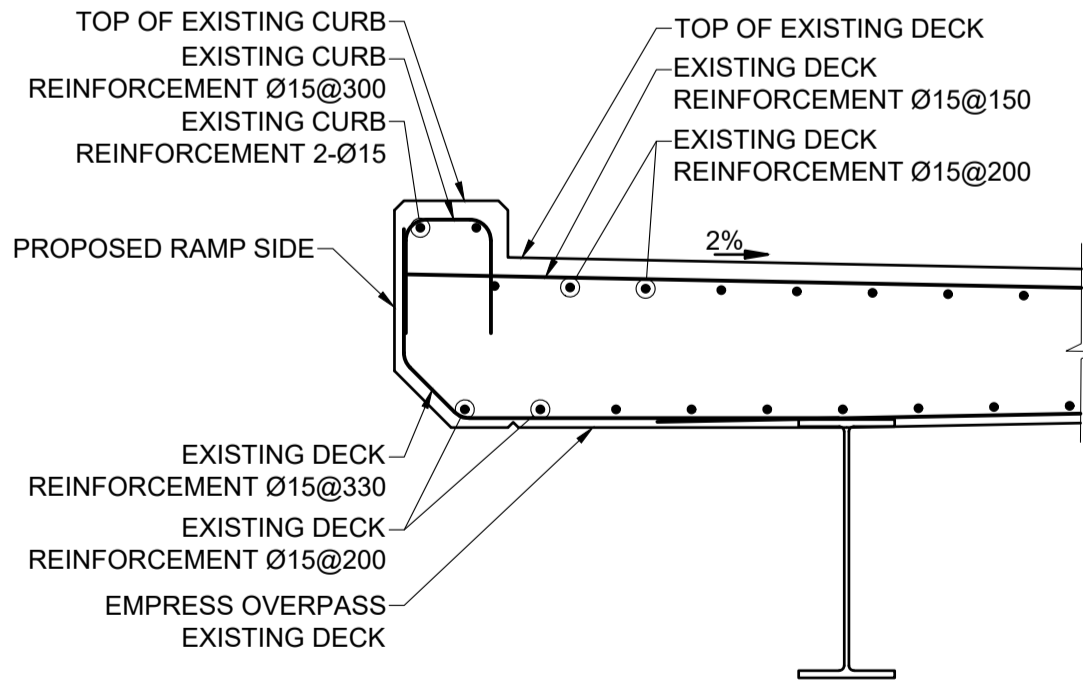
TEMPERATURE ADJUSTMENT TABLE							
INSTALLATION TEMPERATURE °C	-5	0	5	10	15	20	25
INSTALLATION GAP WIDTH (A) (SU3)	46	44	43	41	40	38	37
INSTALLATION GAP WIDTH (B) (SU6)	59	58	56	54	53	51	49



BLOCKOUT DETAILS
SCALE: 1:20



DEMOLITION DETAILS
SCALE: 1:20



EXISTING DECK REINFORCEMENT
SCALE: 1:20

- NOTES:**
- SPACING OF NELSON STUDS TO BE STAGGERED BETWEEN EXISTING REINFORCEMENT BARS TO BE RETAINED. CONTRACTOR TO CONFIRM LOCATIONS OF EXISTING REINFORCEMENT BARS TO BE RETAINED PRIOR TO COMPLETING SHOP DRAWINGS AND FABRICATION OF EXPANSION JOINT.
 - EXISTING TOP MAT REINFORCING TO REMAIN AT NORTH RAMP EXPANSION JOINT BLOCKOUT.

NORTH RAMP TIE-IN DEMOLITION LIMITS		
Location	Northing	Easting
WP18	9035.992	10806.838
WP19	9029.571	10806.662



METRIC
WHOLE NUMBERS INDICATE MILLIMETRES
DECIMALIZED NUMBERS INDICATE METRES

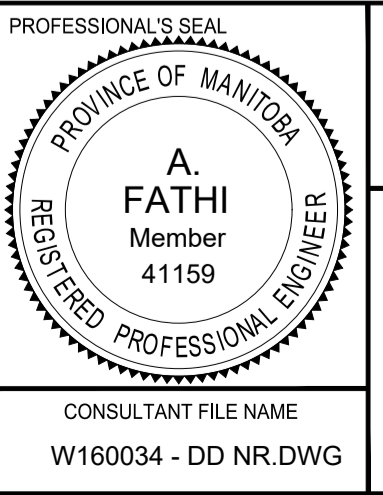
LOCATION APPROVED
UNDERGROUND STRUCTURES

Supr. U/G Structures COMMITTEE DATE

NOTE:
LOCATION OF UNDERGROUND STRUCTURES AS SHOWN ARE BASED ON THE BEST INFORMATION AVAILABLE BUT NO GUARANTEE IS GIVEN THAT ALL EXISTING UTILITIES ARE SHOWN OR THAT THE GIVEN LOCATIONS ARE EXACT. CONFIRMATION OF EXISTENCE AND EXACT LOCATION OF ALL SERVICES MUST BE OBTAINED FROM THE INDIVIDUAL UTILITIES BEFORE PROCEEDING WITH CONSTRUCTION.

No.	REVISIONS	DATE	BY
C	ISSUED FOR ADDENDUM 1	18/10/05	BAP
B	ISSUED FOR TENDER	18/09/04	BAP
A	ISSUED FOR 95% DESIGN REVIEW	18/08/07	BAP

DESIGNED BY	Y.M.	CHECKED BY	A.F.
DRAWN BY	ALP	APPROVED BY	BAP
HOR SCALE	AS SHOWN	RELEASED FOR CONSTRUCTION	N/A
VERT SCALE	AS SHOWN	DATE	



THE CITY OF WINNIPEG
PUBLIC WORKS DEPARTMENT
ENGINEERING DIVISION

EMPRESS STREET PROJECT
PEDESTRIAN ACCESSIBILITY RAMPS
NORTH RAMP
EXPANSION JOINT DETAILS 1

CITY DRAWING NUMBER: P-3494-151
SHEET 151 OF 169
DRAWING No. REV 151 C

BID OPPORTUNITY No. 602-2018