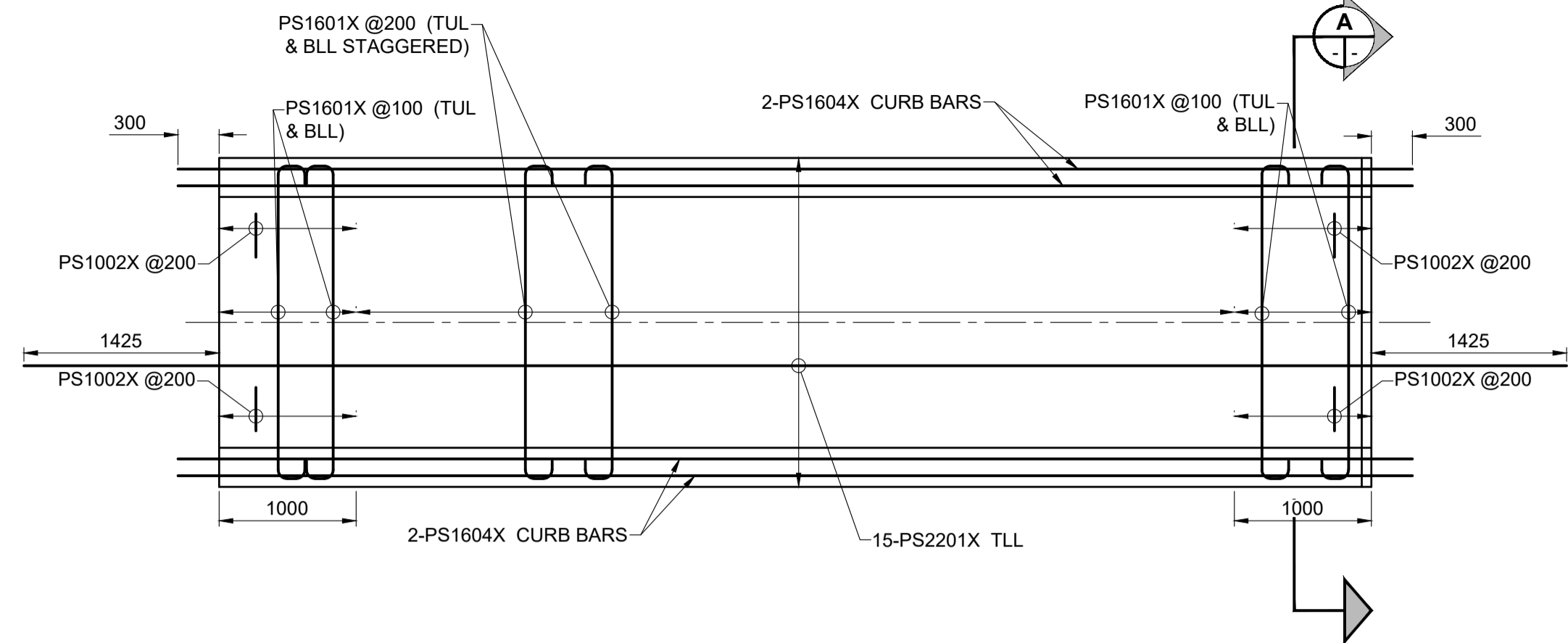
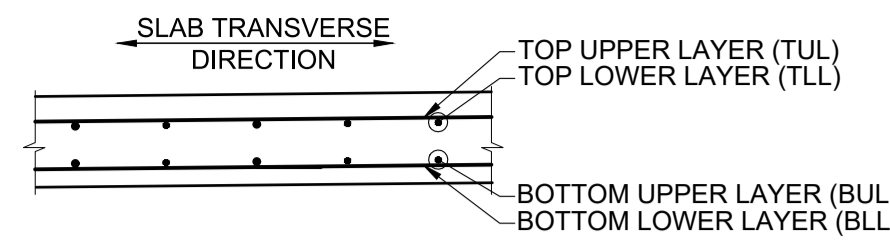
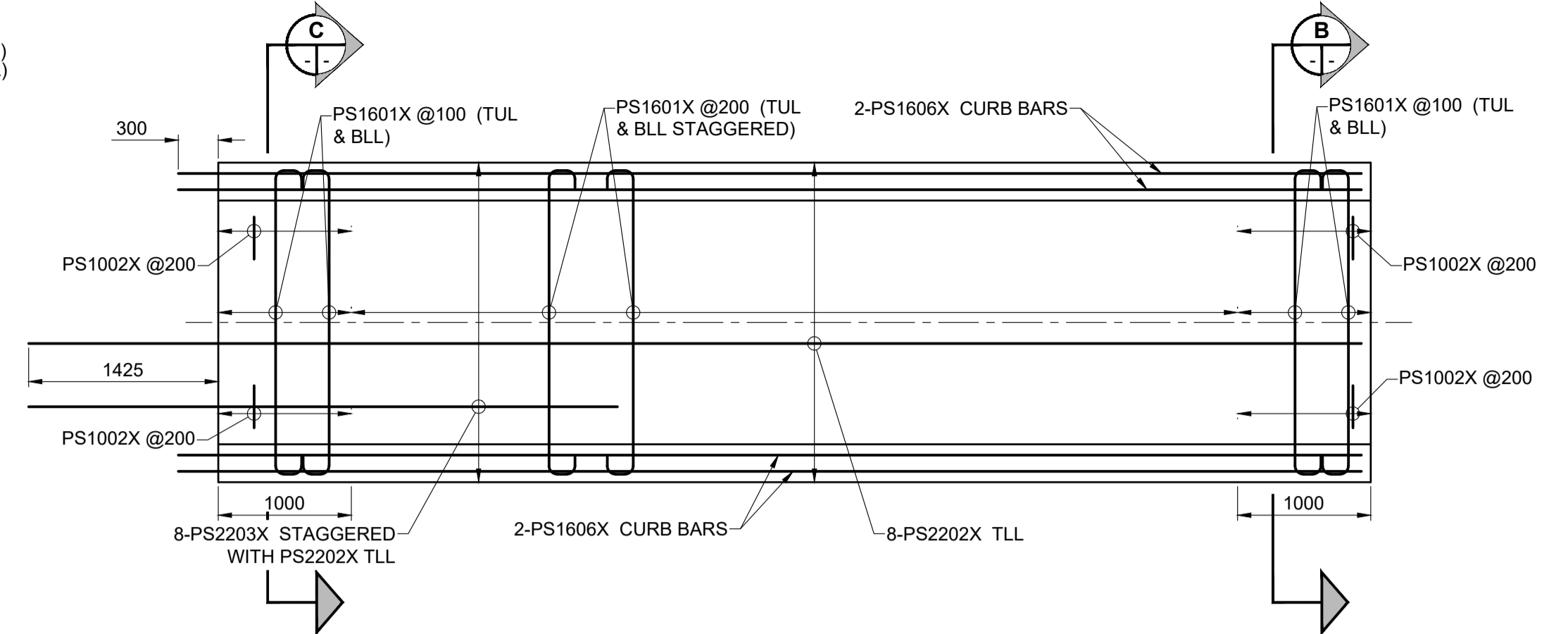


ISO A1 - 594mm x 841mm

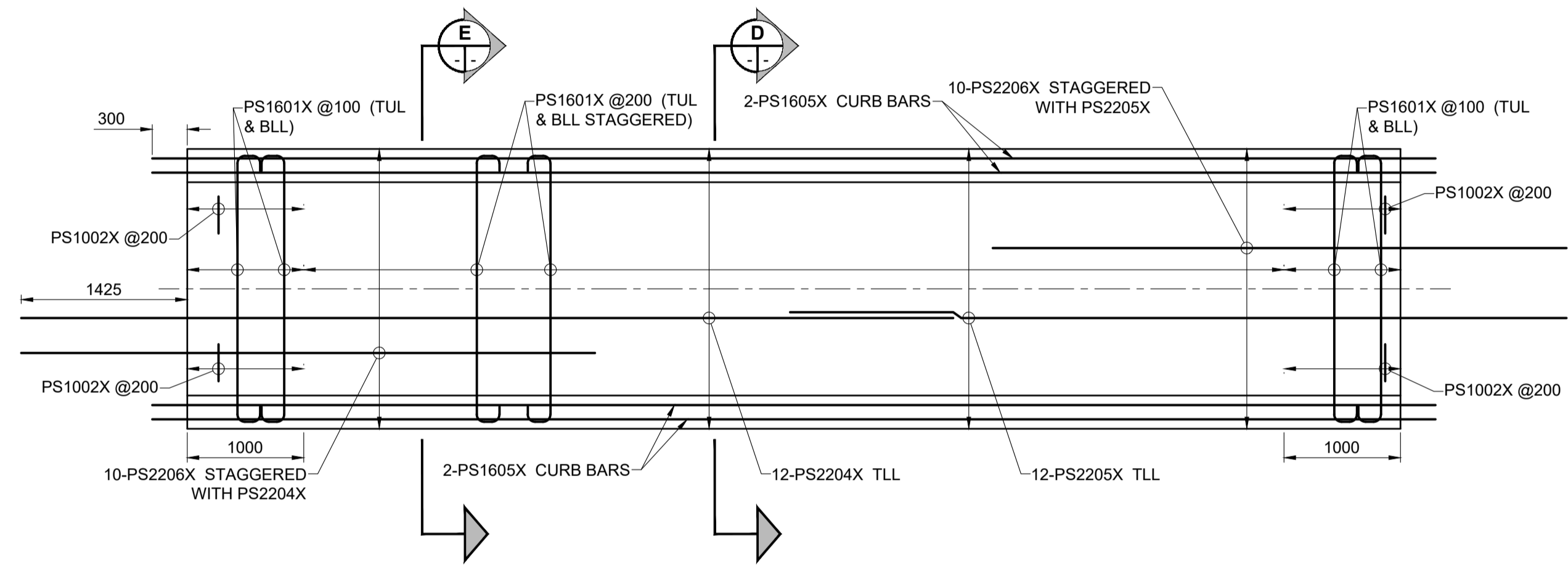
PRECAST SLAB REINFORCEMENT LAYERS



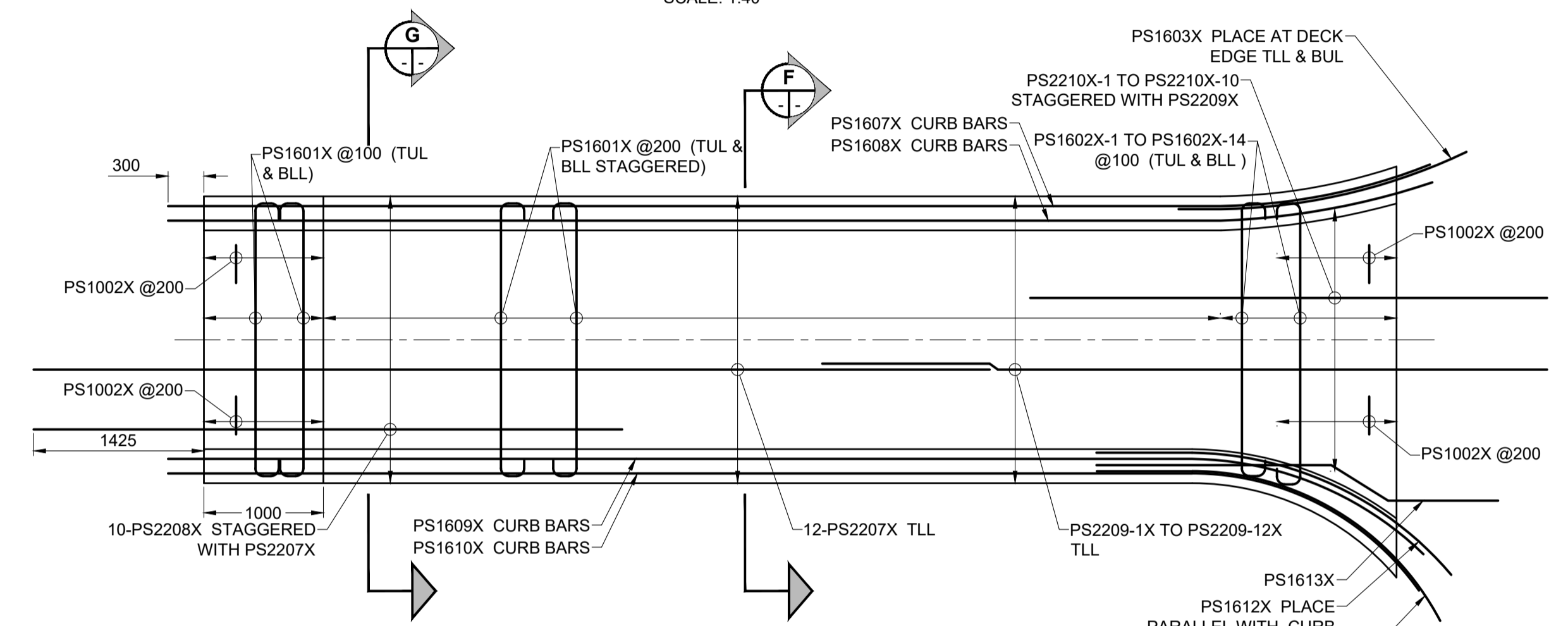
SPAN 1 PRECAST SLAB REINFORCING PLAN (TYPE I)
SCALE: 1:40



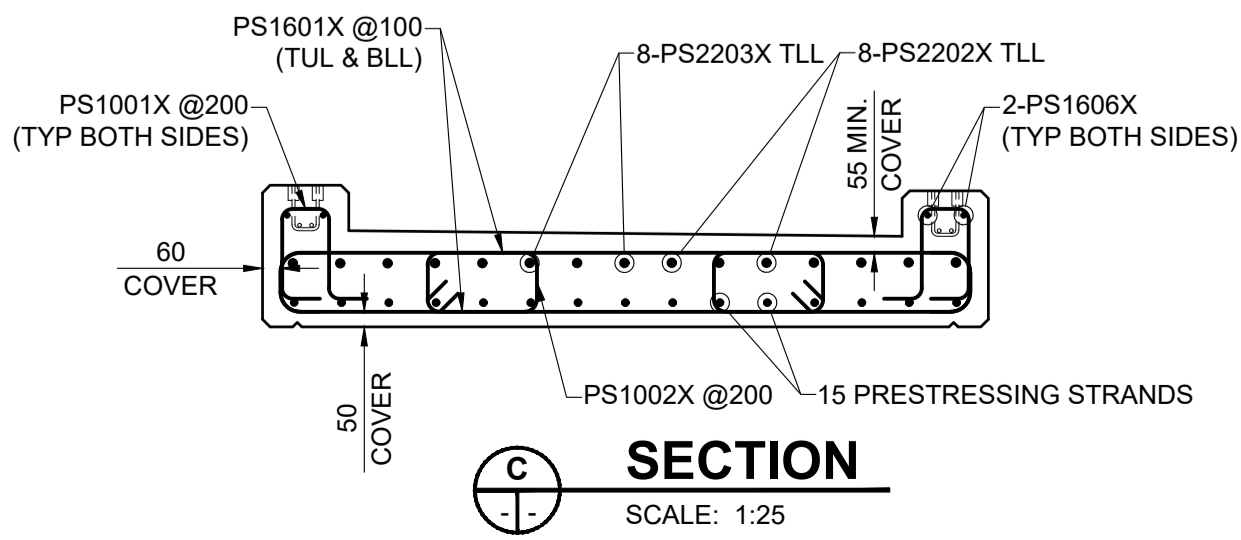
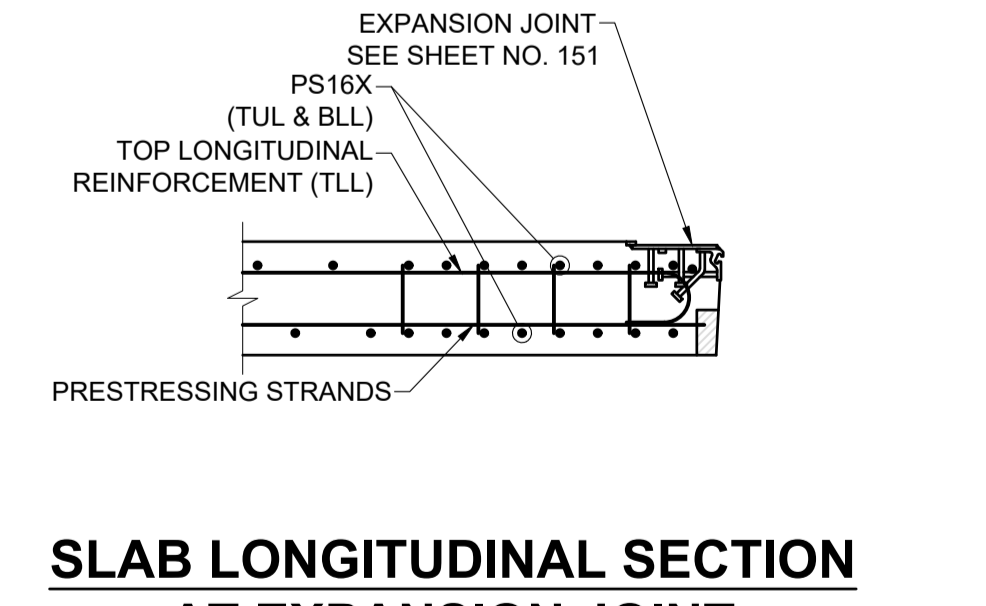
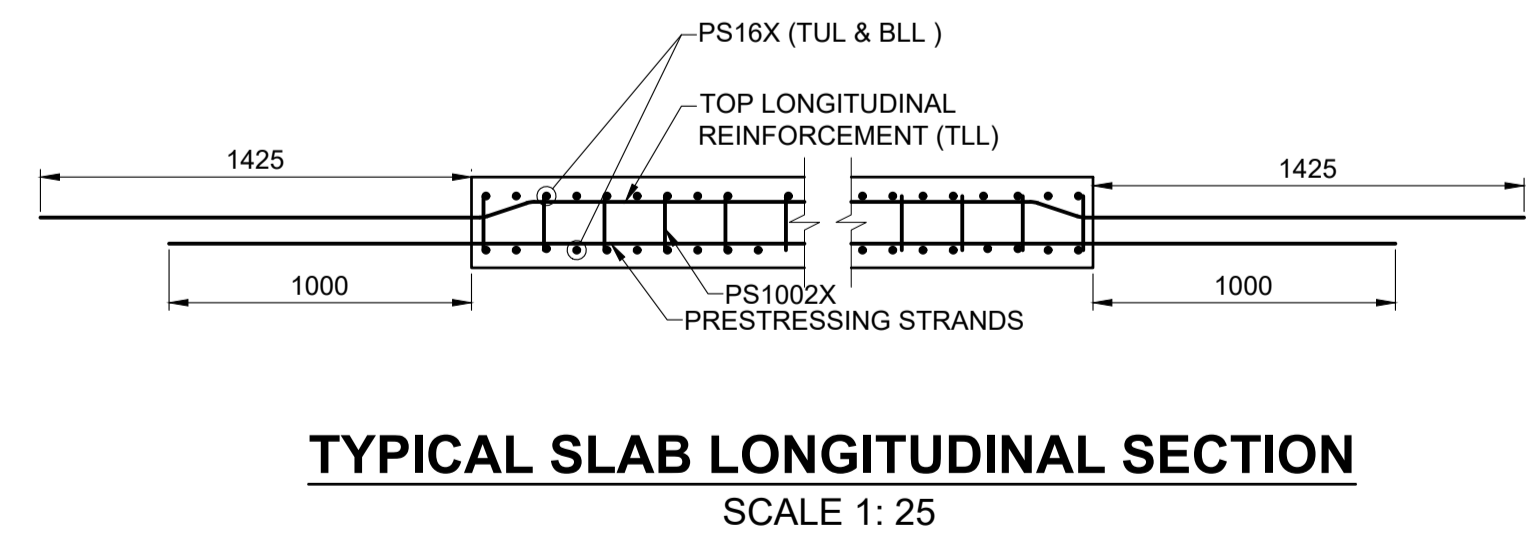
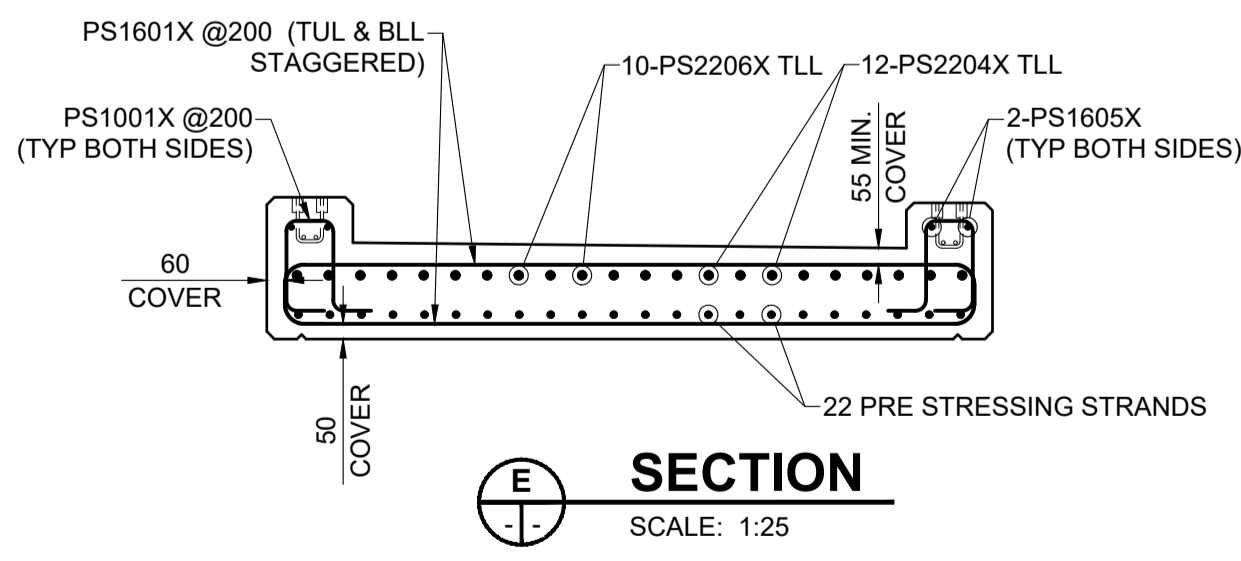
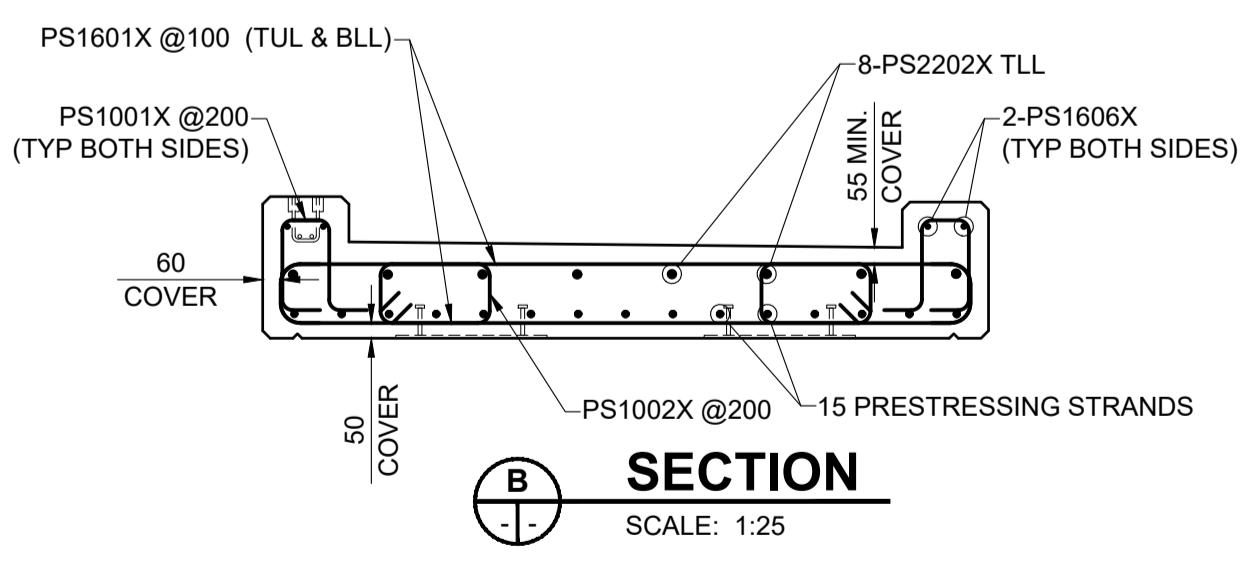
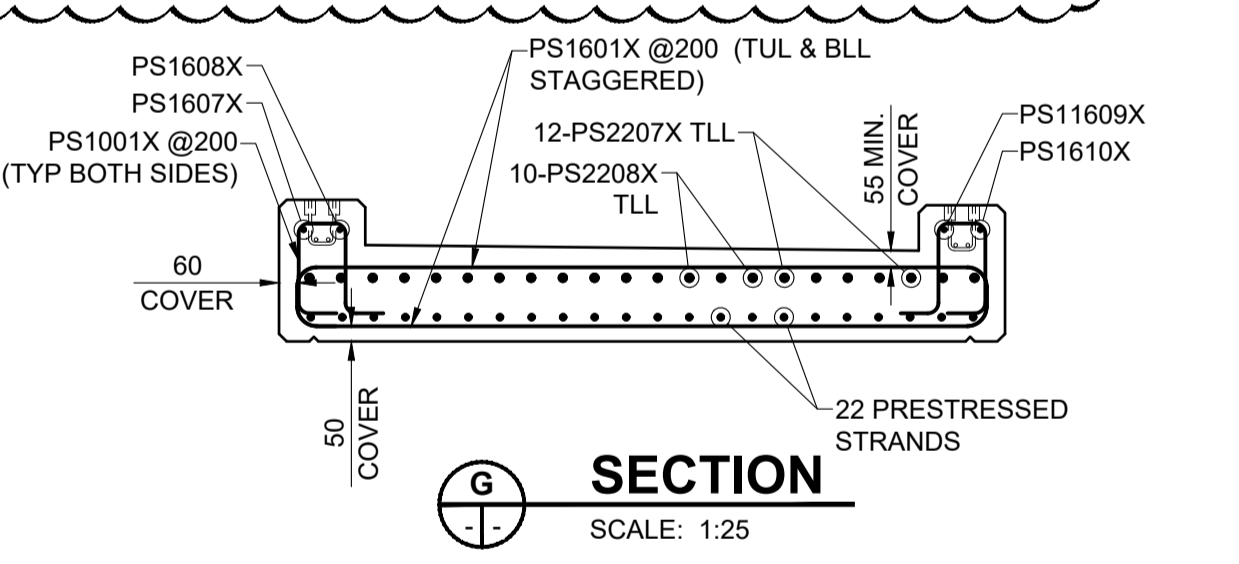
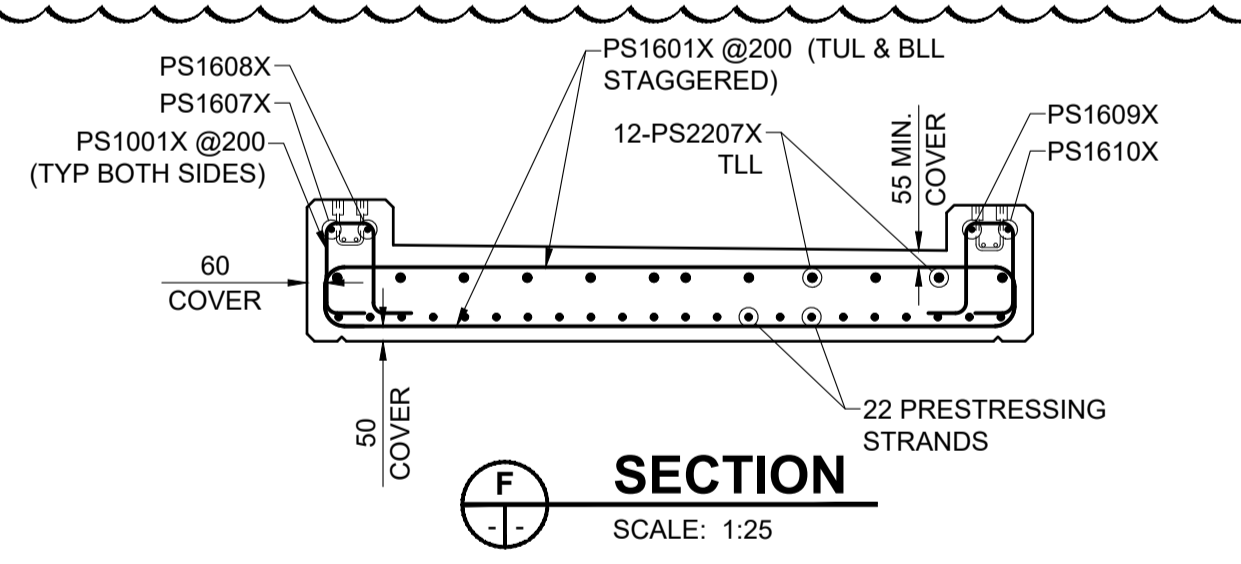
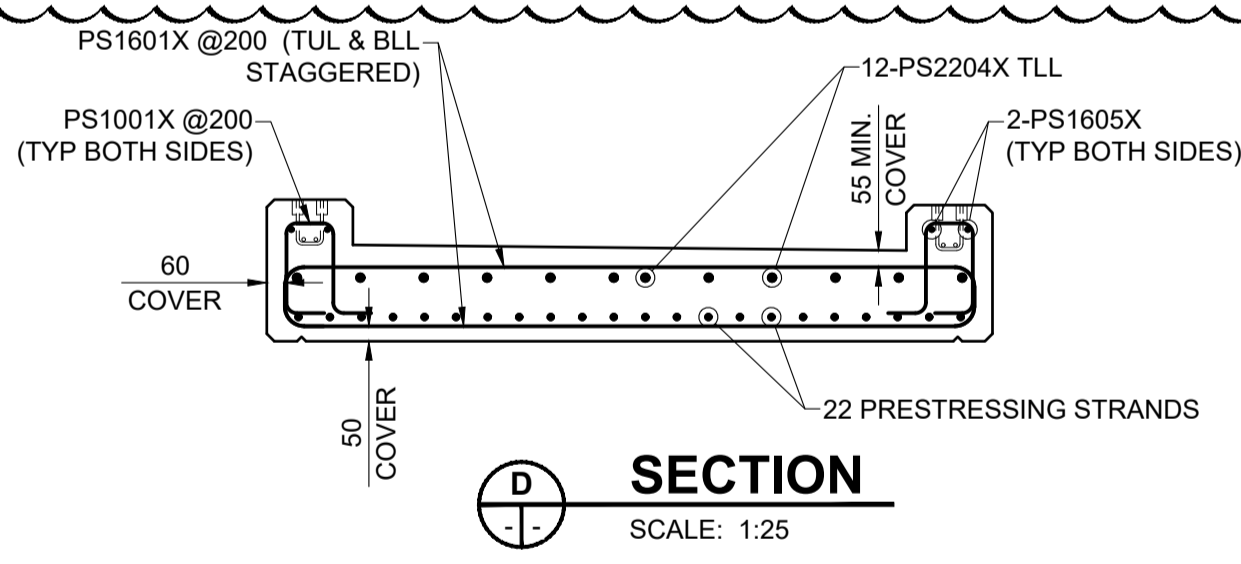
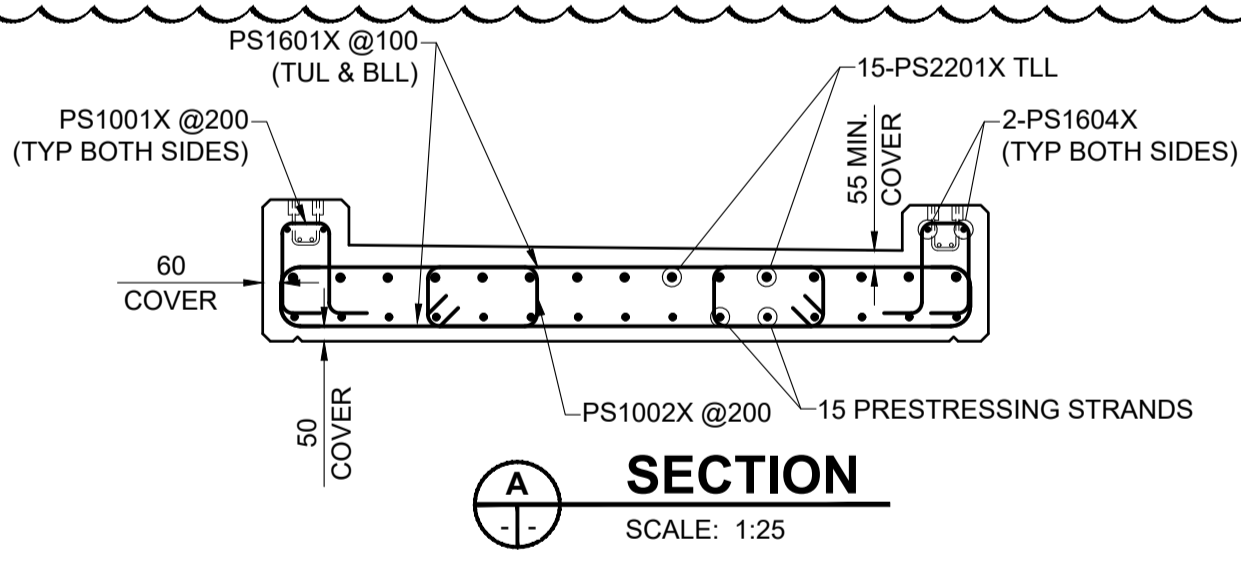
SPAN 2 PRECAST SLAB REINFORCING PLAN (TYPE I)
SCALE: 1:40



SPANS 3&4 PRECAST SLAB REINFORCING PLAN (TYPE II)
SCALE: 1:40



SPANS 5 PRECAST SLAB REINFORCING PLAN (TYPE II)
SCALE: 1:40



METRIC
WHOLE NUMBERS INDICATE MILLIMETRES
DECIMALIZED NUMBERS INDICATE METRES

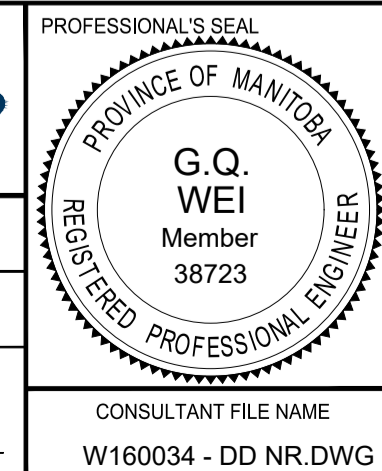
LOCATION APPROVED
UNDERGROUND STRUCTURES

SUPR. U/G STRUCTURES COMMITTEE DATE

NOTE:
LOCATION OF UNDERGROUND STRUCTURES AS SHOWN ARE BASED ON THE BEST INFORMATION AVAILABLE BUT NO GUARANTEE IS GIVEN THAT ALL EXISTING UTILITIES ARE SHOWN OR THAT THE GIVEN LOCATIONS ARE EXACT. CONFIRMATION OF EXISTENCE AND EXACT LOCATION OF ALL SERVICES MUST BE OBTAINED FROM THE INDIVIDUAL UTILITIES BEFORE PROCEEDING WITH CONSTRUCTION.

No.	REVISIONS	DATE	BY
C	ISSUED FOR ADDENDUM 1	18/10/05	BAP
B	ISSUED FOR TENDER	18/09/04	BAP
A	ISSUED FOR 95% DESIGN REVIEW	18/08/07	BAP

MORRISON HERSHFIELD	
DESIGNED BY: YM	CHECKED BY: GQW
DRAWN BY: ALP	APPROVED BY: BAP
HOR SCALE: AS SHOWN	RELEASED FOR CONSTRUCTION
VERT SCALE: AS SHOWN	N/A
DATE	DATE



THE CITY OF WINNIPEG
PUBLIC WORKS DEPARTMENT
ENGINEERING DIVISION

EMPRESS STREET PROJECT
PEDESTRIAN ACCESSIBILITY RAMPS
NORTH RAMP
PRESTRESSED SLAB DETAILS 2

CITY DRAWING NUMBER: P-3494-148
SHEET 148 OF 169
DRAWING No. 148 REV C

CONSULTANT FILE NAME: W160034 - DD NR.DWG

BID OPPORTUNITY No. 602-2018

O:\Winnipeg\Proj\W160034\Drawings\11\Drawings\06\Sheets\Detailed Design\Structural\Pedestrian Ramps\W160034 - DD NR.dwg
Last Saved: 10/05/2018 3:48 PM by: AHeppner
Printed: 10/05/2018 4:07 PM by: Alex Heppner