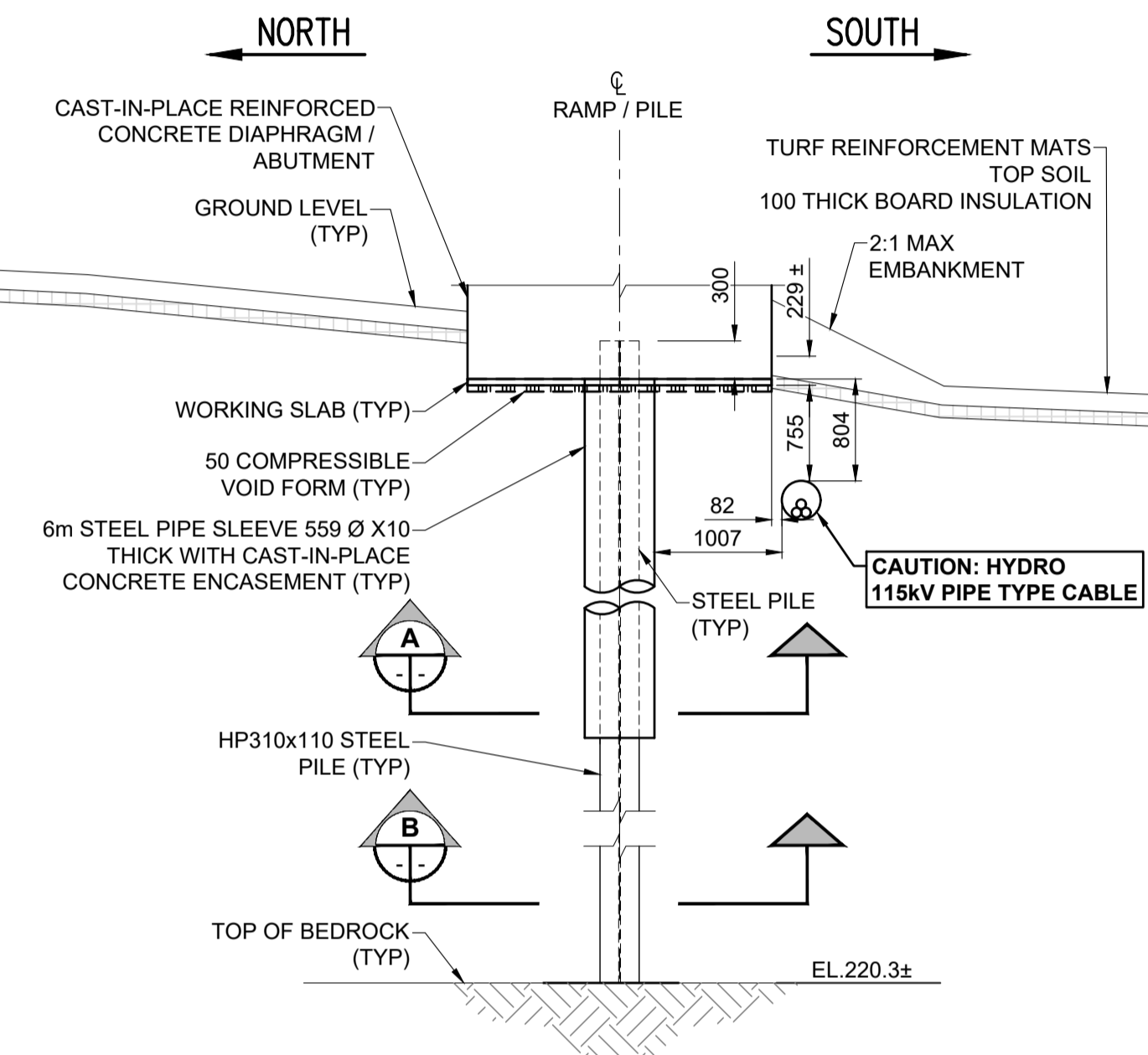
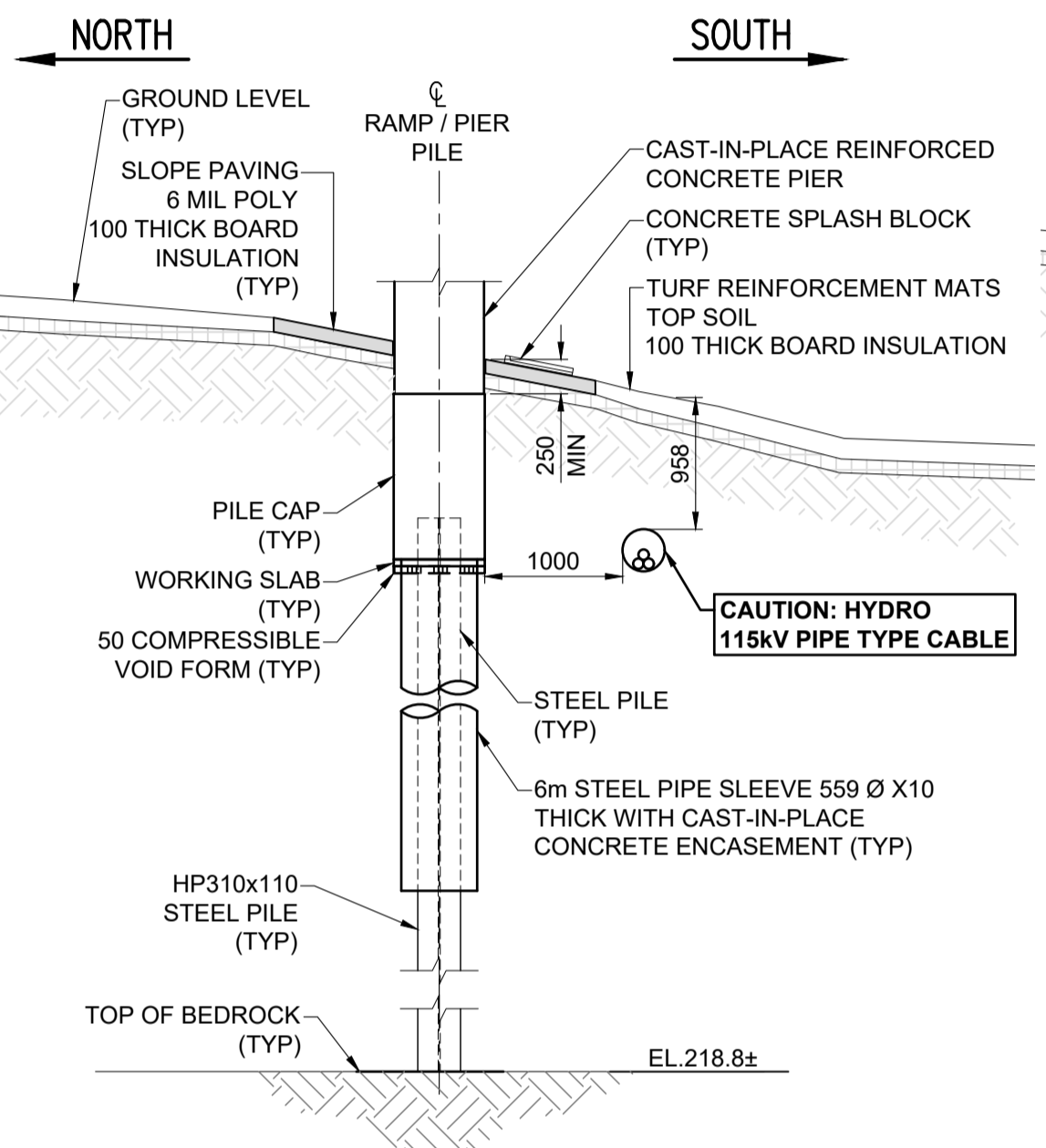


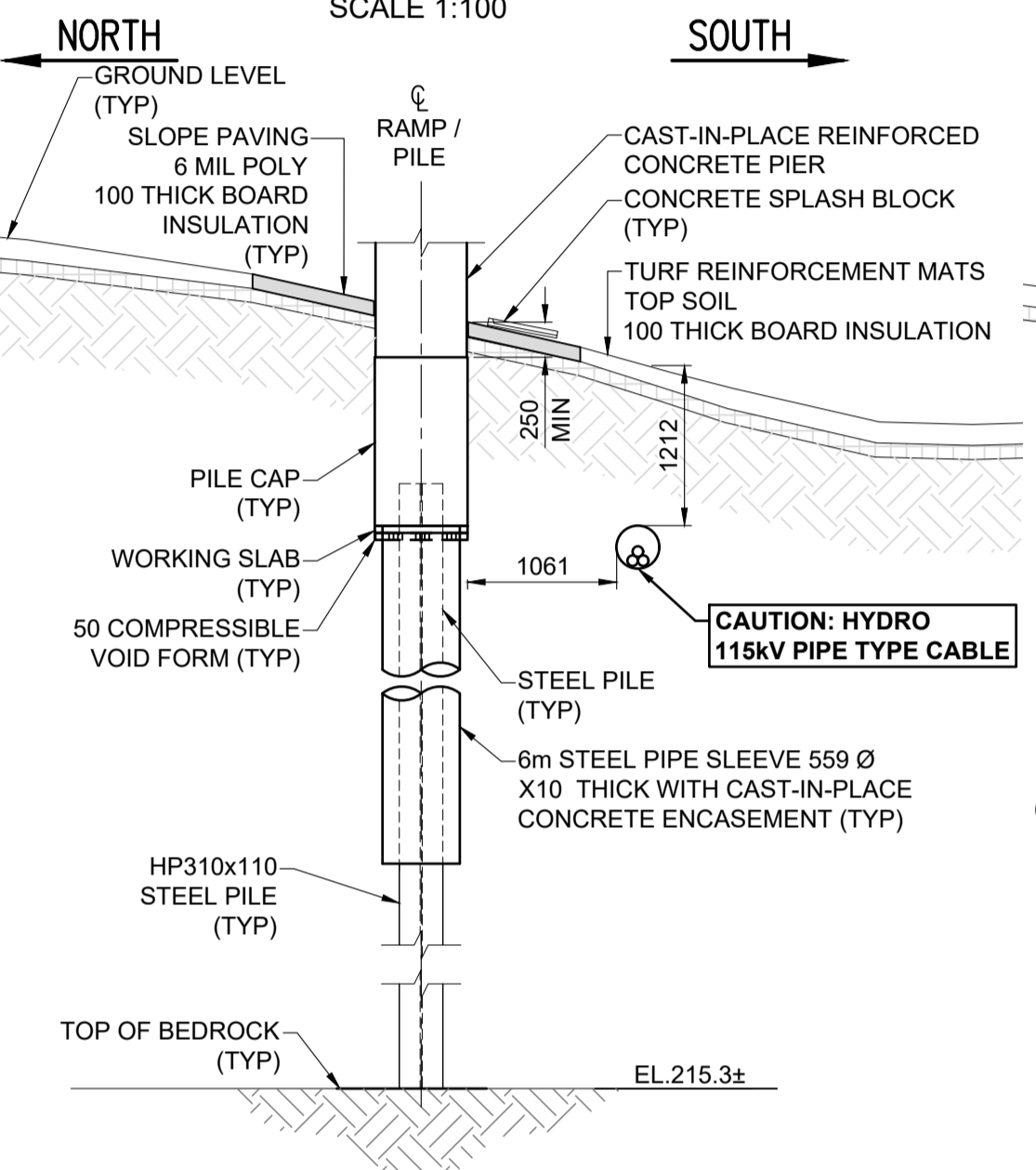
FOUNDATION PLAN
SCALE 1:100



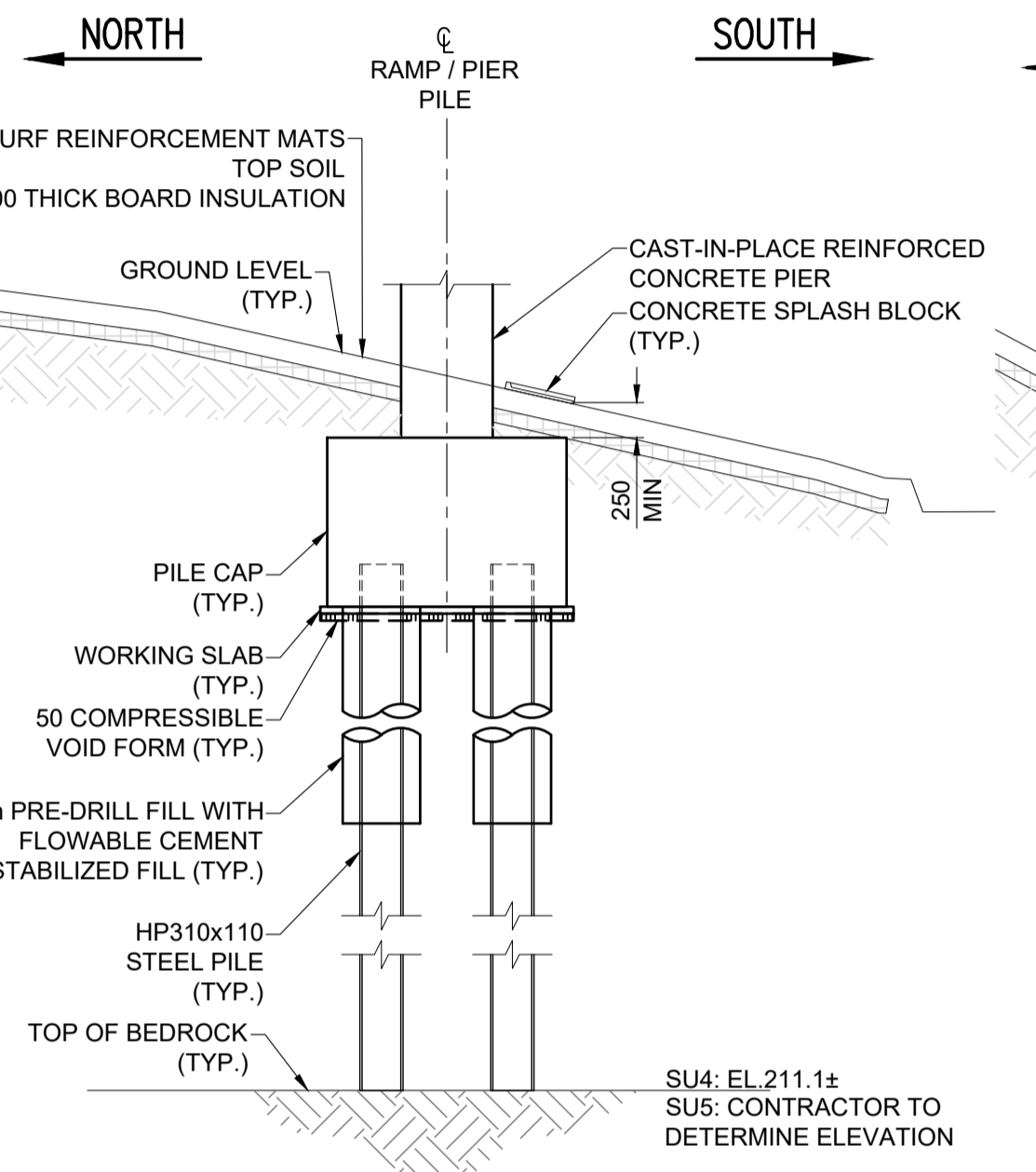
WEST ELEVATION
PILE AT SU-1
SCALE: 1:50



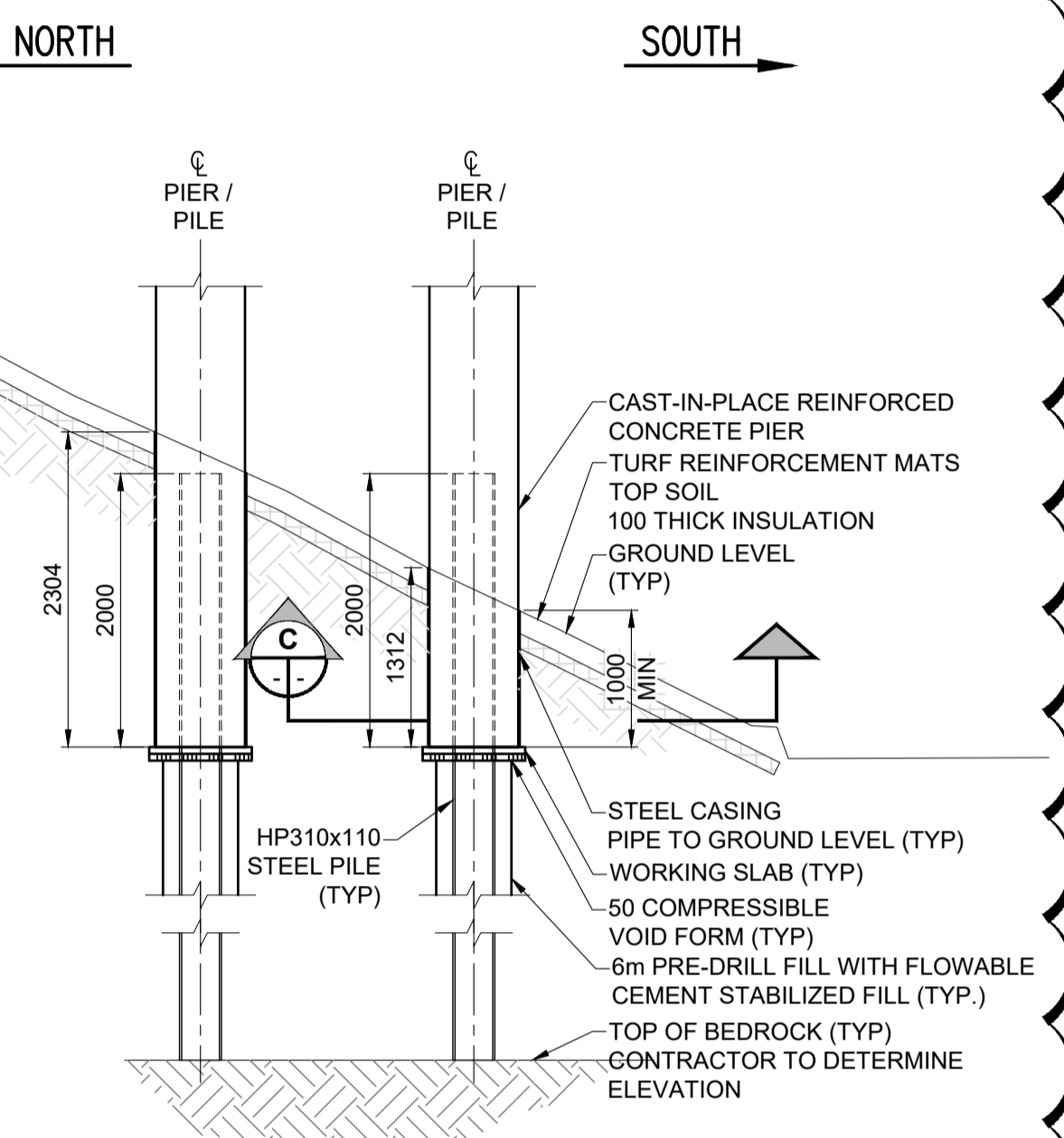
WEST ELEVATION
PILE AT SU-2
SCALE: 1:50



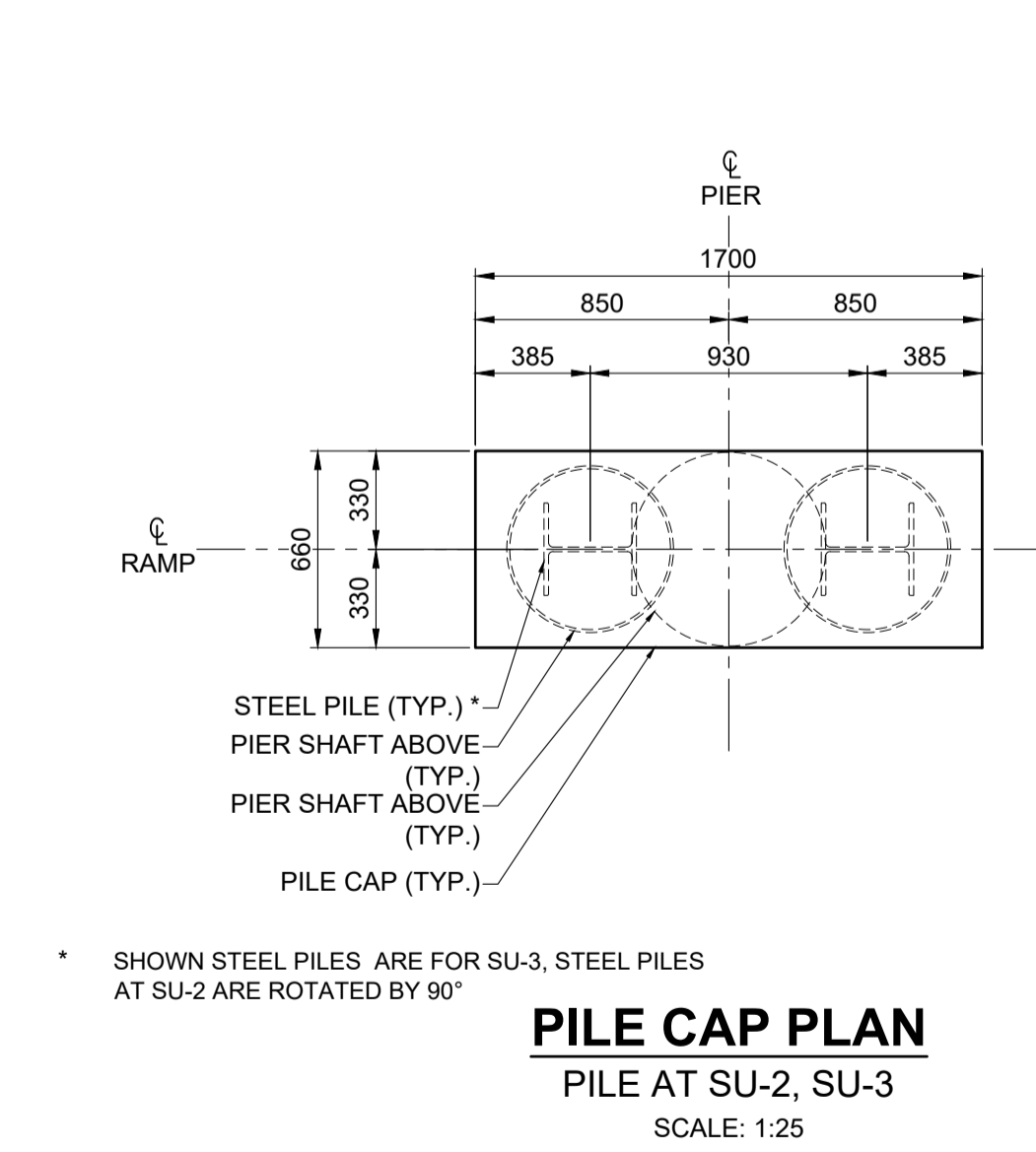
WEST ELEVATION
PILE AT SU-3
SCALE: 1:50



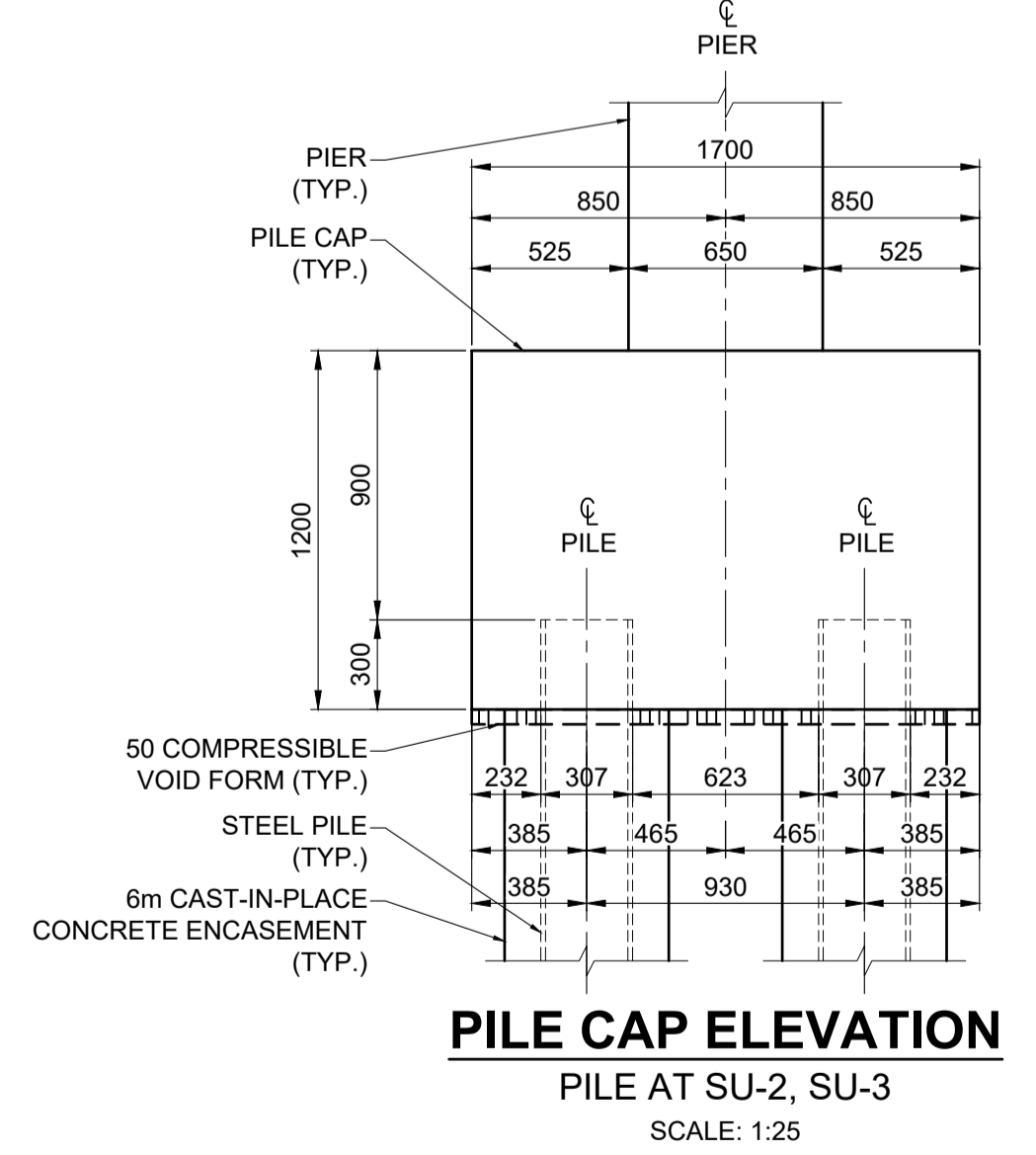
WEST ELEVATION
PILE AT SU-4, SU-5
SCALE: 1:50



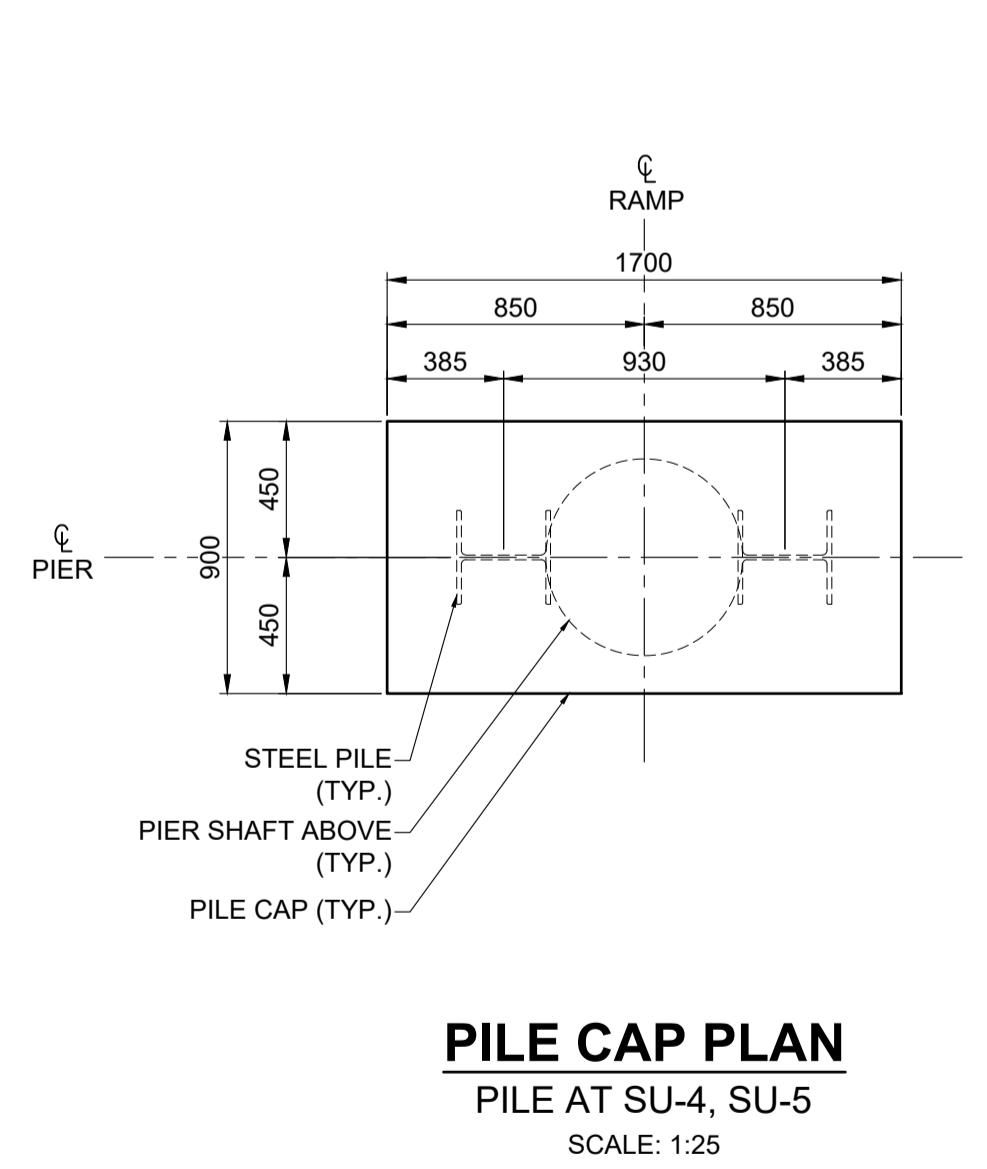
WEST ELEVATION
PILE AT SU-6
SCALE: 1:50



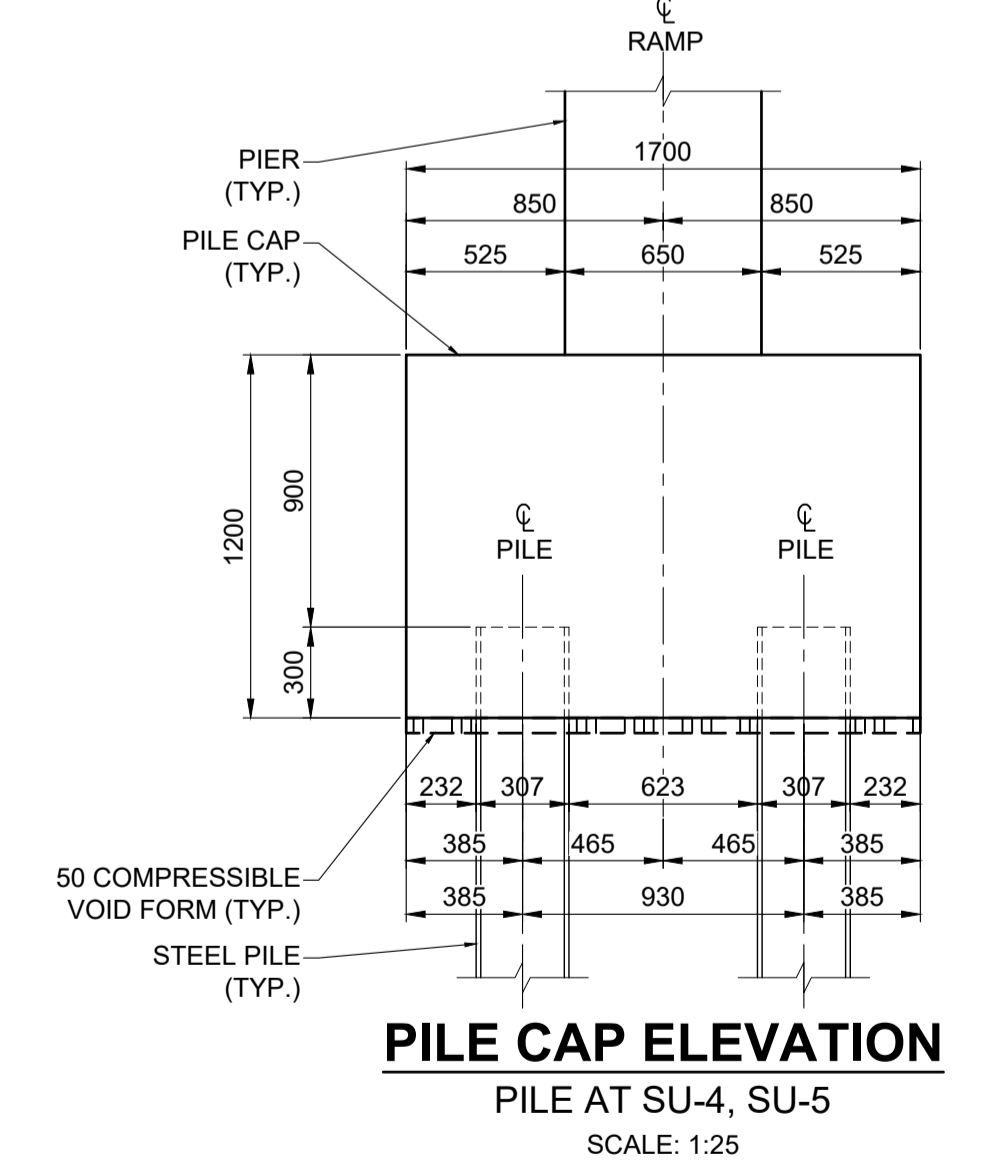
PILE CAP PLAN
PILE AT SU-2, SU-3
SCALE: 1:25



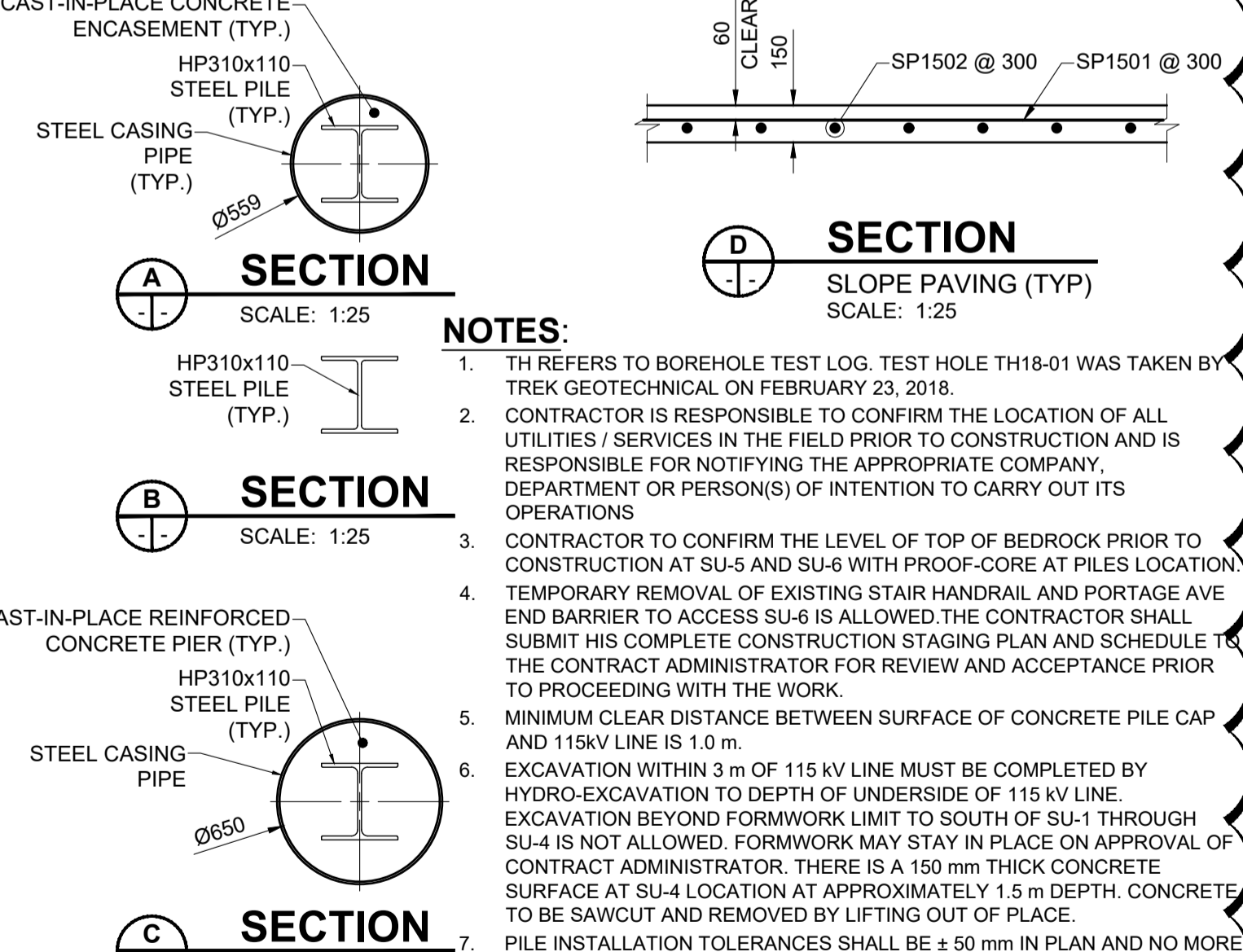
PILE CAP ELEVATION
PILE AT SU-2, SU-3
SCALE: 1:25



PILE CAP PLAN
PILE AT SU-4, SU-5
SCALE: 1:25



PILE CAP ELEVATION
PILE AT SU-4, SU-5
SCALE: 1:25



- NOTES:**
- TH REFERS TO BOREHOLE TEST LOG. TEST HOLE TH18-01 WAS TAKEN BY TREK GEOTECHNICAL ON FEBRUARY 23, 2018.
 - CONTRACTOR IS RESPONSIBLE TO CONFIRM THE LOCATION OF ALL UTILITIES / SERVICES IN THE FIELD PRIOR TO CONSTRUCTION AND IS RESPONSIBLE FOR NOTIFYING THE APPROPRIATE COMPANY, DEPARTMENT OR PERSON(S) OF INTENTION TO CARRY OUT ITS OPERATIONS
 - CONTRACTOR TO CONFIRM THE LEVEL OF TOP OF BEDROCK PRIOR TO CONSTRUCTION AT SU-5 AND SU-6 WITH PROOF-CORE AT PILES LOCATION
 - TEMPORARY REMOVAL OF EXISTING STAIR HANDRAIL AND PORTAGE AVE END BARRIER TO ACCESS SU-6 IS ALLOWED. THE CONTRACTOR SHALL SUBMIT HIS COMPLETE CONSTRUCTION STAGING PLAN AND SCHEDULE TO THE CONTRACT ADMINISTRATOR FOR REVIEW AND ACCEPTANCE PRIOR TO PROCEEDING WITH THE WORK.
 - MINIMUM CLEAR DISTANCE BETWEEN SURFACE OF CONCRETE PILE CAP AND 115KV LINE IS 1.0 m.
 - EXCAVATION WITHIN 3 m OF 115 KV LINE MUST BE COMPLETED BY HYDRO-EXCAVATION TO DEPTH OF UNDERSIDE OF 115 KV LINE. EXCAVATION BEYOND FORMWORK LIMIT TO SOUTH OF SU-1 THROUGH SU-4 IS NOT ALLOWED. FORMWORK MAY STAY IN PLACE ON APPROVAL OF CONTRACT ADMINISTRATOR. THERE IS A 150 mm THICK CONCRETE SURFACE AT SU-4 LOCATION AT APPROXIMATELY 1.5 m DEPTH. CONCRETE TO BE SAWCUT AND REMOVED BY LIFTING OUT OF PLACE.
 - PILE INSTALLATION TOLERANCES SHALL BE ± 50 mm IN PLAN AND NO MORE THAN 2% OUT OF PLUMB BY LENGTH. CONTRACTOR RESPONSIBLE FOR ENSURING PLUMBNESS IN PREBORE LOCATIONS

NORTH RAMP PILE LAYOUT			
Location	Pile Cutoff Elevation	Northing	Easting
SU1-E	233.002	9017.258	10752.530
SU1-W	233.002	9017.037	10751.762
SU2-E	231.857	9020.040	10762.203
SU2-W	231.857	9019.783	10761.309
SU3-E	231.503	9022.804	10771.814

NORTH RAMP PILE LAYOUT			
Location	Pile Cutoff Elevation	Northing	Easting
SU3-W	231.503	9022.547	10770.920
SU4-N	231.134	9026.440	10782.771
SU4-S	231.134	9025.546	10783.028
SU5-N	231.037	9029.757	10794.303
SU5-S	231.037	9028.863	10794.560

NORTH RAMP PILE LAYOUT			
Location	Pile Cutoff Elevation	Northing	Easting
SU6-N	232.653	9033.576	10805.647
SU6-S	232.653	9031.479	10805.590



METRIC
WHOLE NUMBERS INDICATE MILLIMETRES
DECIMALIZED NUMBERS INDICATE METRES

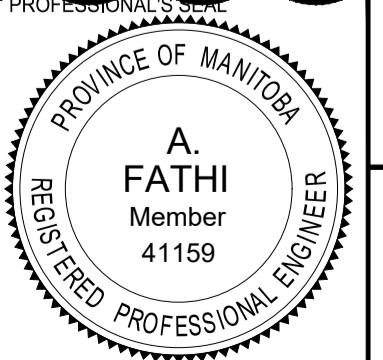
LOCATION APPROVED
UNDERGROUND STRUCTURES

SUPR. UIC STRUCTURES COMMITTEE DATE

NOTE:
LOCATION OF UNDERGROUND STRUCTURES AS SHOWN ARE BASED ON THE BEST INFORMATION AVAILABLE BUT NO GUARANTEE IS GIVEN THAT ALL EXISTING UTILITIES ARE SHOWN OR THAT THE GIVEN LOCATIONS ARE EXACT. CONFIRMATION OF EXISTENCE AND EXACT LOCATION OF ALL SERVICES MUST BE OBTAINED FROM THE INDIVIDUAL UTILITIES BEFORE PROCEEDING WITH CONSTRUCTION.

NO.	REVISIONS	DATE	BY
D	ISSUED FOR ADDENDUM 1	18/10/05	BAP
C	ISSUED FOR TENDER	18/09/04	BAP
B	ISSUED FOR 95% DESIGN REVIEW	18/08/07	BAP
A	ISSUED FOR 50% DESIGN REVIEW	18/06/28	BAP

DESIGNED BY	YM	CHECKED BY	AF
DRAWN BY	ALP	APPROVED BY	BAP
HOR SCALE	AS SHOWN	RELEASED FOR CONSTRUCTION	N/A
VERT SCALE	AS SHOWN		
DATE		DATE	



THE CITY OF WINNIPEG
PUBLIC WORKS DEPARTMENT
ENGINEERING DIVISION

CITY DRAWING NUMBER	P-3494-140
SHEET	140 OF 169
DRAWING No.	140
REV	D

EMPIRE STREET PROJECT
PEDESTRIAN ACCESSIBILITY RAMPS
NORTH RAMP
FOUNDATION DETAILS

BID OPPORTUNITY No. 602-2018