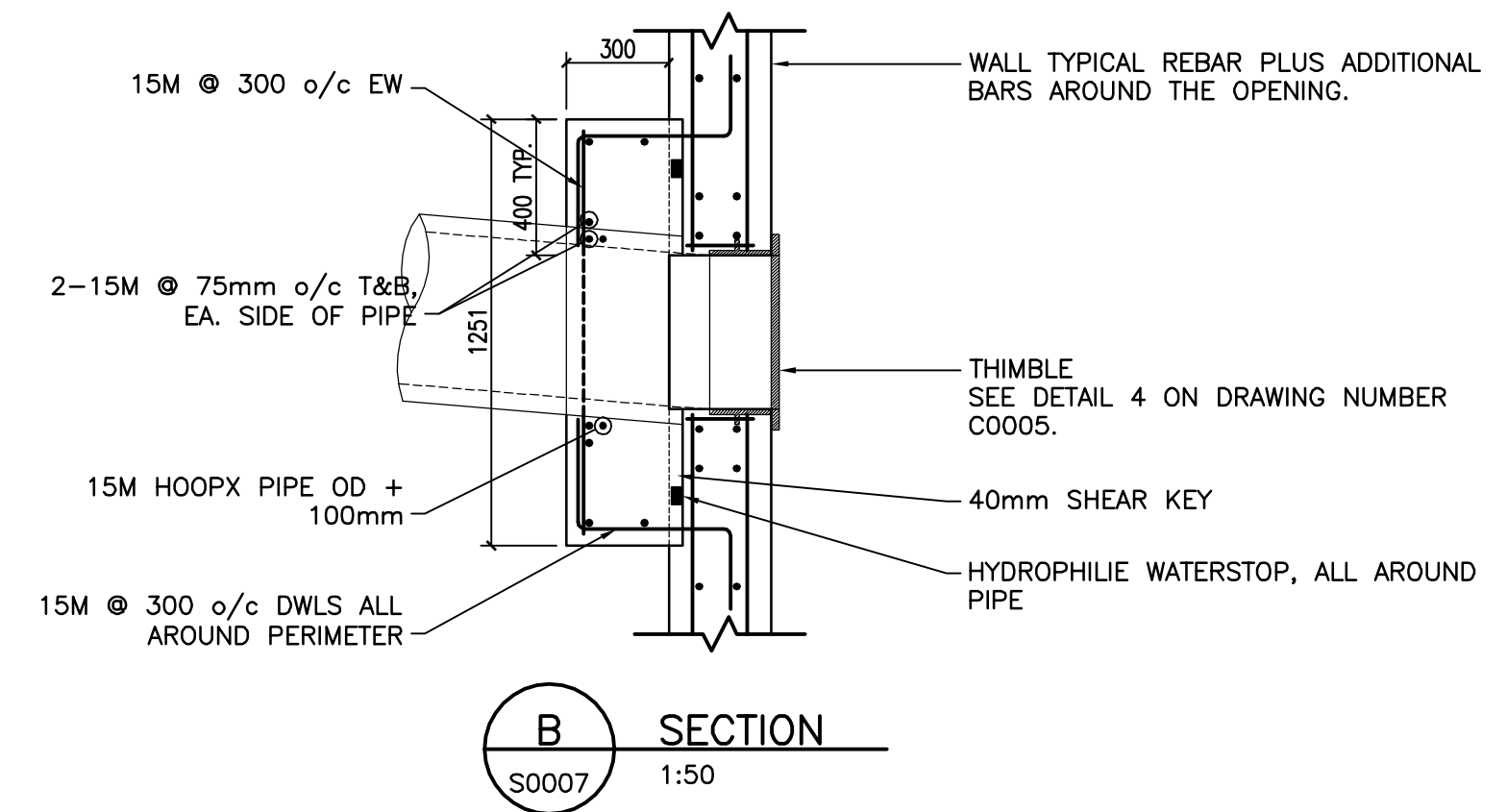
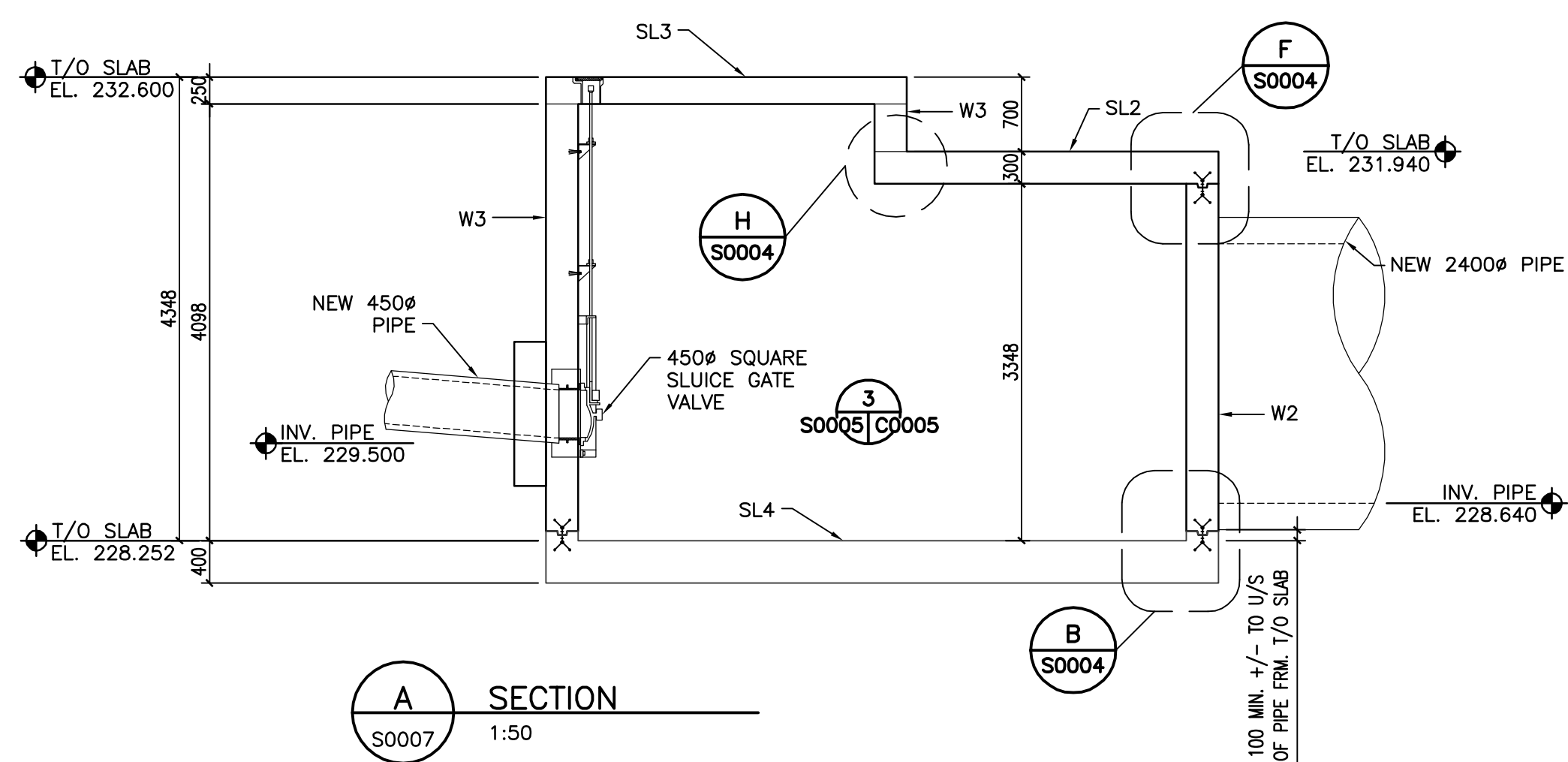


- DRAWING NOTES:**
- SEE CITY DRAWING NUMBER 1-0102U-S0003-001 FOR GENERAL NOTES.
 - SEE CITY DRAWING NUMBER 1-0102U-S0003-001 FOR WALL, SLAB AND BEAM SCHEDULE.
 - SEE CITY DRAWING NUMBER 1-0102U-S0004-001 FOR CONCRETE SECTIONS & TYPICAL DETAILS.



83R066 - N. side Frohisher Rd., 0.25km W. of St. Mary's Rd., Tblt. on top of 0.05m dia. x 1.2m iron pipe (near conc. gate chamber), 7.1m Nly. of N. side & 9.8m Wly. of W. side of conc. gate chamber 0.25km W. of St. Mary's Rd.

RECORD DRAWING
BY G.L. / M.F. DATE 12.08.27
CHECKED BY B.F.



CONSTRUCTION COMPLETION DATE - APRIL 2011

LOCATION APPROVED UNDERGROUND STRUCTURES

SUPV. U/G STRUCTURES COMMITTEE	DATE

NOTE:
LOCATION OF UNDERGROUND STRUCTURES AS SHOWN ARE BASED ON THE BEST INFORMATION AVAILABLE BUT NO GUARANTEE IS GIVEN THAT THE GIVEN LOCATIONS ARE EXACT. CONFIRMATION OF EXISTENCE AND EXACT LOCATION OF ALL SERVICES MUST BE OBTAINED FROM THE INDIVIDUAL UTILITIES BEFORE PROCEEDING WITH CONSTRUCTION.

B.M. 81-007 ELEV. 230.438

Stantec Consulting Ltd.
905 Waverley Street, Winnipeg, Manitoba
Tel 204-489-5900 Fax 204-453-9012

DESIGNED BY	M.H.	CHECKED BY	T.D.
DRAWN BY	M.F.	APPROVED BY	C.M.
SLUICE GATE		RELEASED FOR CONSTRUCTION:	
HOR. SCALE:	AS NOTED	DATE	
VERTICAL:		DATE	
NO. REVISIONS	DATE	BY	DATE
	09.09.21		

ENGINEER'S SEAL
ORIGINAL SEALED BY
B.E. FRASER
P. ENG.
12/08/28

THE CITY OF WINNIPEG
WATER AND WASTE DEPARTMENT
Winnipeg
SOUTH END WATER POLLUTION CONTROL CENTRE
INSTALLATION OF OUTFALL PIPE
EFFLUENT SAMPLING FACILITY AND ASSOCIATED WORKS
CHAMBER NO.3
PLAN & SECTION

BID OPPORTUNITY NO. 709-2009	CITY DRAWING NUMBER 1-0102U-S0007-001	SHEET OF 1 1
---------------------------------	--	-----------------

METRIC
WHOLE NUMBERS INDICATE MILLIMETRES
DECIMALIZED NUMBERS INDICATE METRES