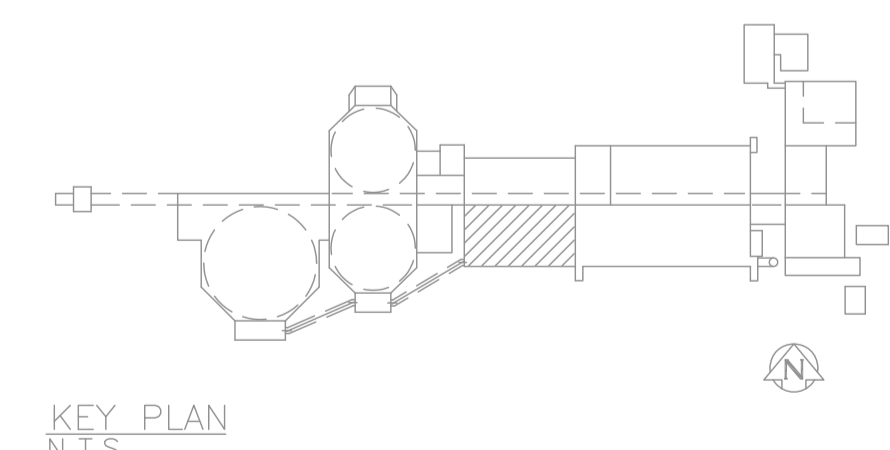
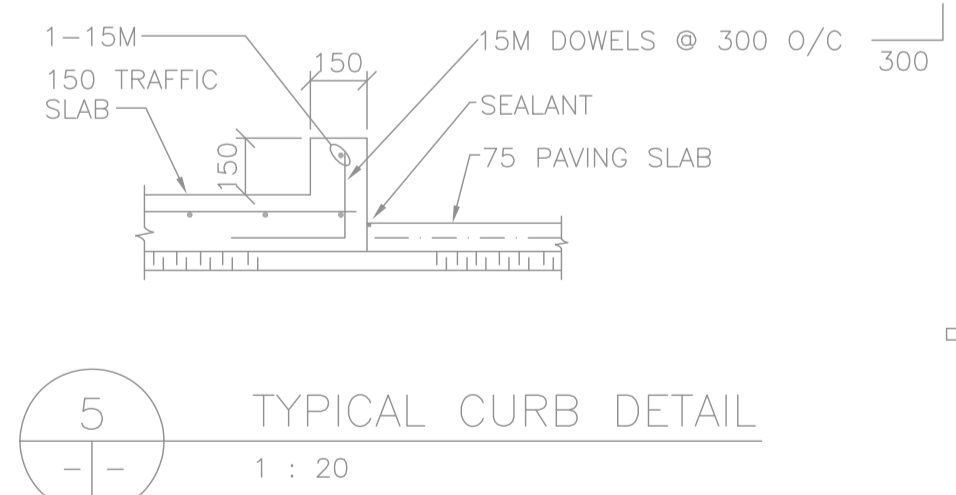
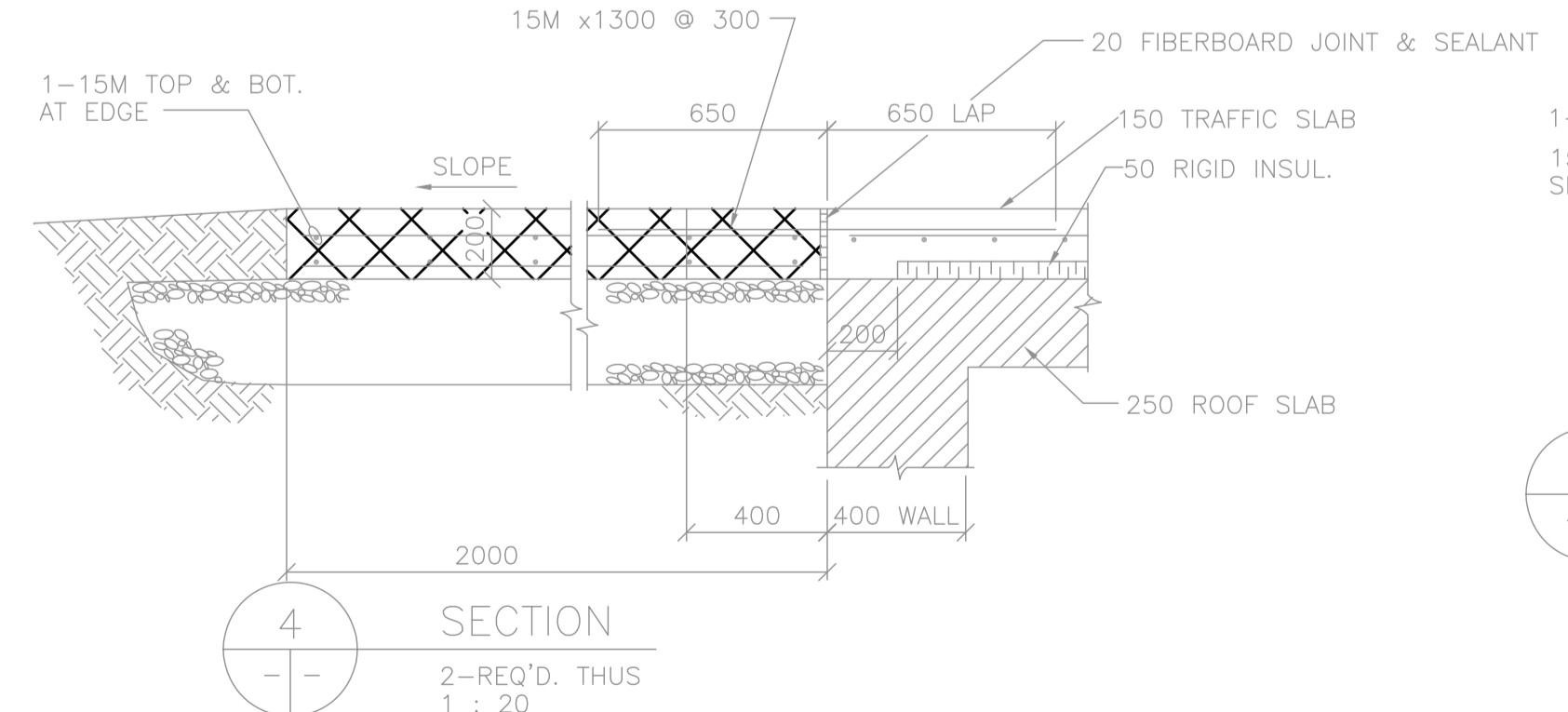
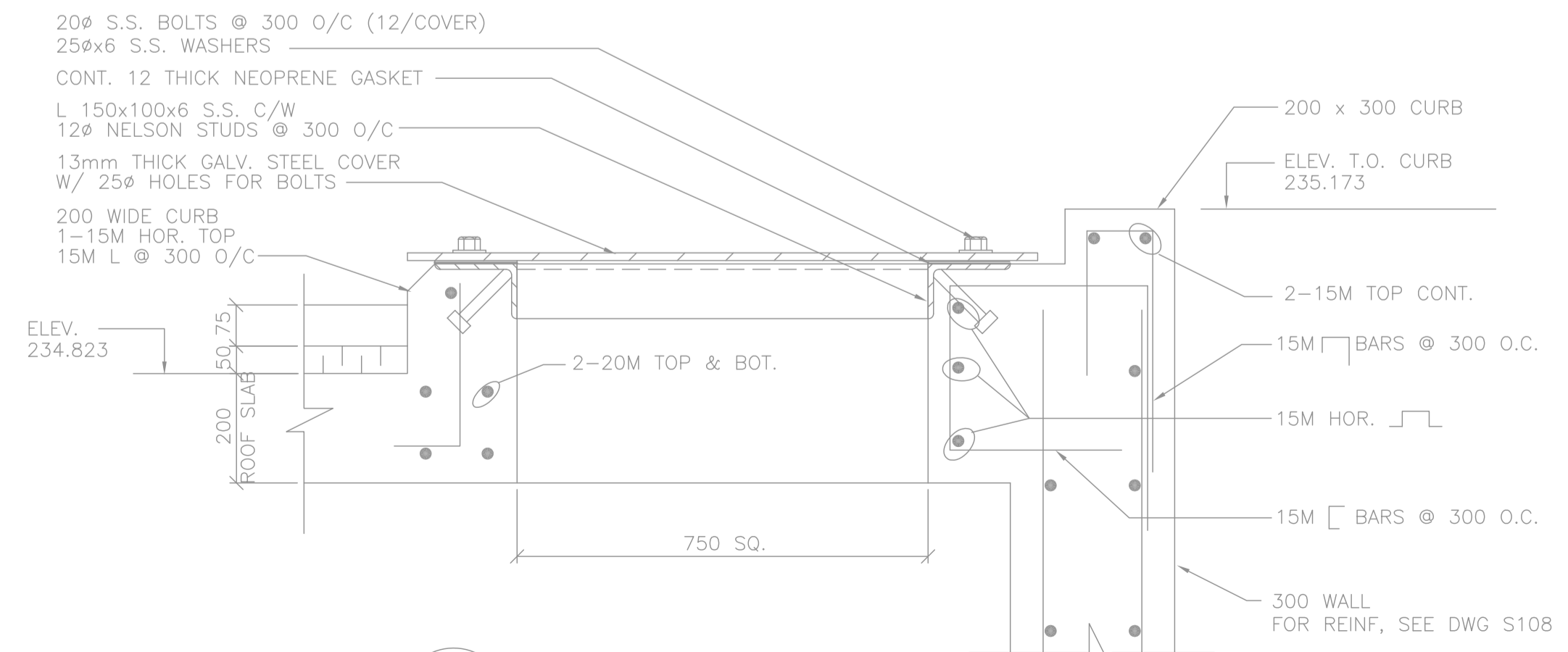


- NOTES:
- FOR DETAILS AND LOCATIONS OF MECHANICAL PENETRATIONS THROUGH ROOF, SEE DWG. R-M101.
 - FOR GENERAL NOTES, SEE DWG. S101.
 - REACTOR DECK SAW CUTS SEALED WITH SIKAFLEX 1-a ON HORIZONTAL SURFACES AND SIKAFLEX 1-a ON VERTICAL SURFACES. ETHAFORM BACKER ROD PLACED IN ALL JOINTS.

- NOTES:
- FOR NEW CONSTRUCTION SEE STRUCTURAL BIOFILTER DRAWINGS.
 - REFER TO GENERAL DEMOLITION NOTES ON DRAWING 1-0102-DAAA-AD01.

AS CONSTRUCTED
 DATE SEPTEMBER 1993 BY C.J.A.
 APPROVED BY _____



B.M. ELEV.		MacLAREN ENGINEERS INC. WARDROP ENGINEERING INC.		ENGINEERING CONSULTANTS	
4	ISSUED FOR ADDENDUM 7 - 976-2016	07/17	JBC	DESIGNED BY	K.L.
3	ISSUED FOR CONSTRUCTION - 976-2016	04/17	P.R.B.	CHECKED BY	
2	ISSUED FOR 60% PRELIMINARY REVIEW	07/16	P.R.B.	DRAWN BY	L.D.M.
1	AS CONSTRUCTED	09/93	P.R.B.	APPROVED BY	
0	ISSUED FOR TENDER	07/90	K.L.	RELEASED FOR CONSTRUCTION:	
-	ISSUED FOR APPROVAL	04/90	K.L.		
NO.	REVISIONS	DATE	BY	DATE	JULY 1990

ORIGINALLY DESIGNED BY
 JUL 24 2017

 CONSULTANT DRAWING NO.
 870012-01-19-R-S104

THE CITY OF WINNIPEG
 WORKS AND OPERATIONS DIVISION
 WATERWORKS, WASTE & DISPOSAL DEPARTMENT

SOUTH END WATER POLLUTION CONTROL CENTRE
 OXYGEN REACTOR EXPANSION - STRUCTURAL
 TRAFFIC AND PAVING SLAB PLAN
 ABOVE ELEV 234.823

CITY DRAWING NUMBER
 SHEET OF
 SEP-340