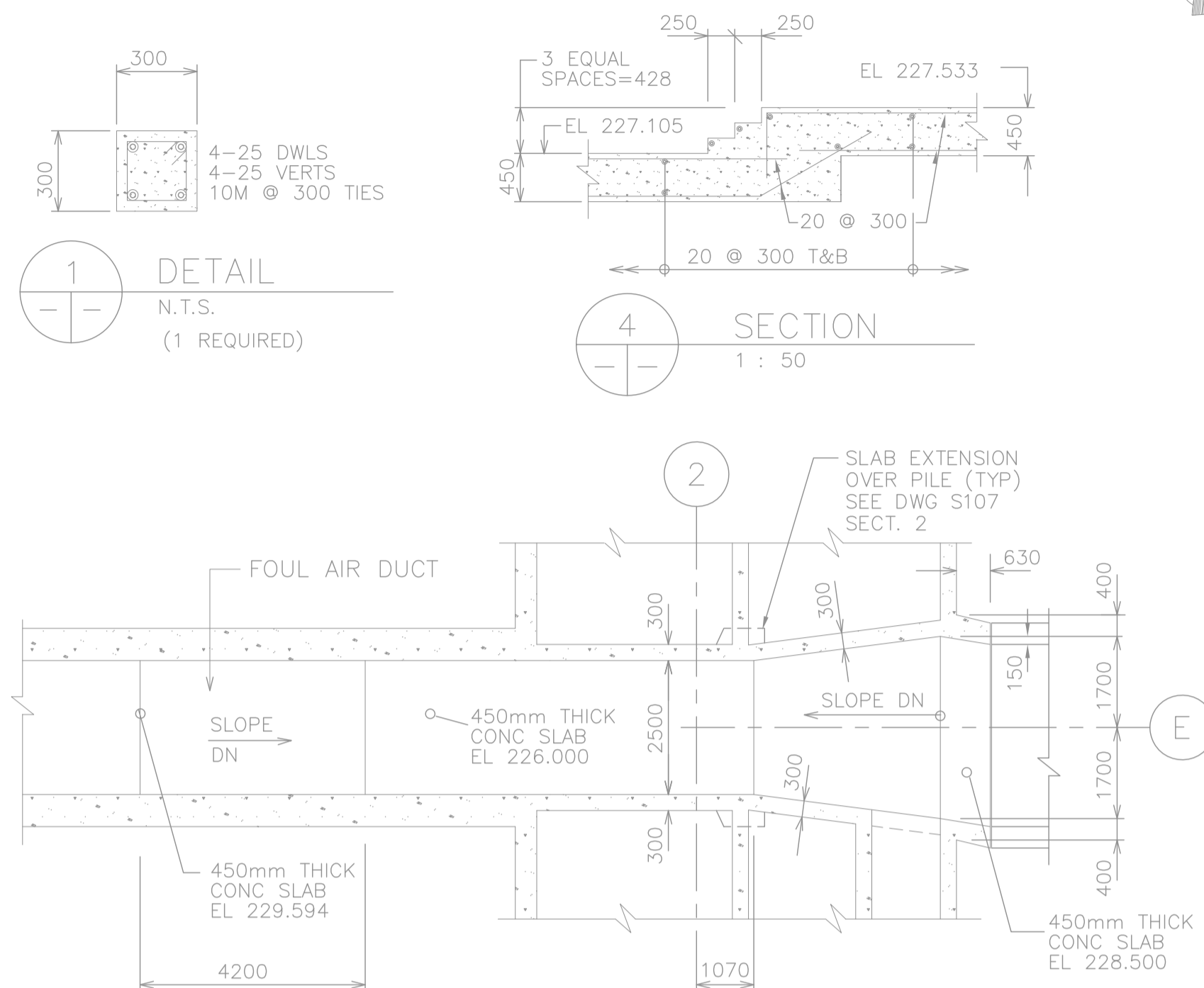
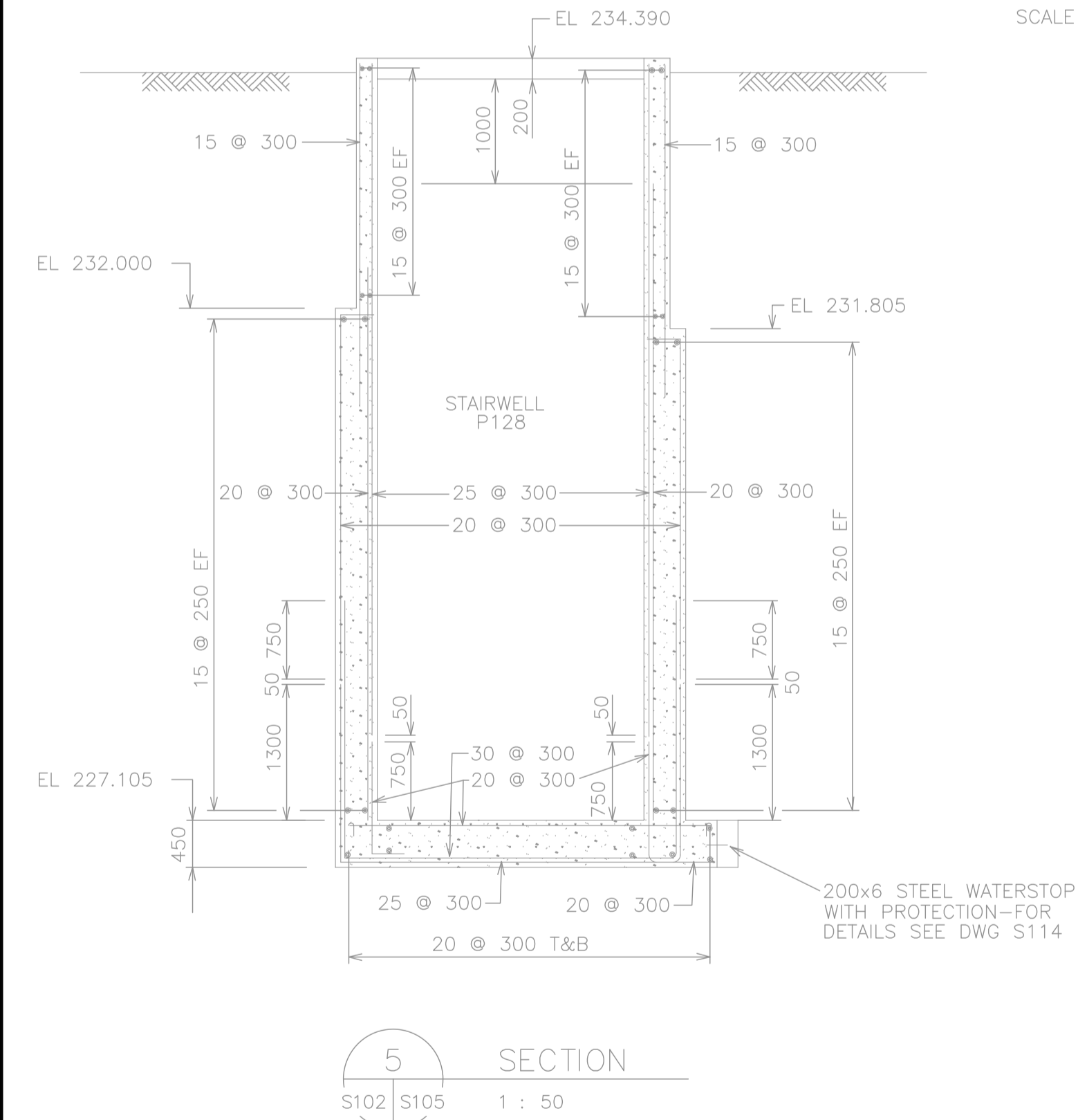


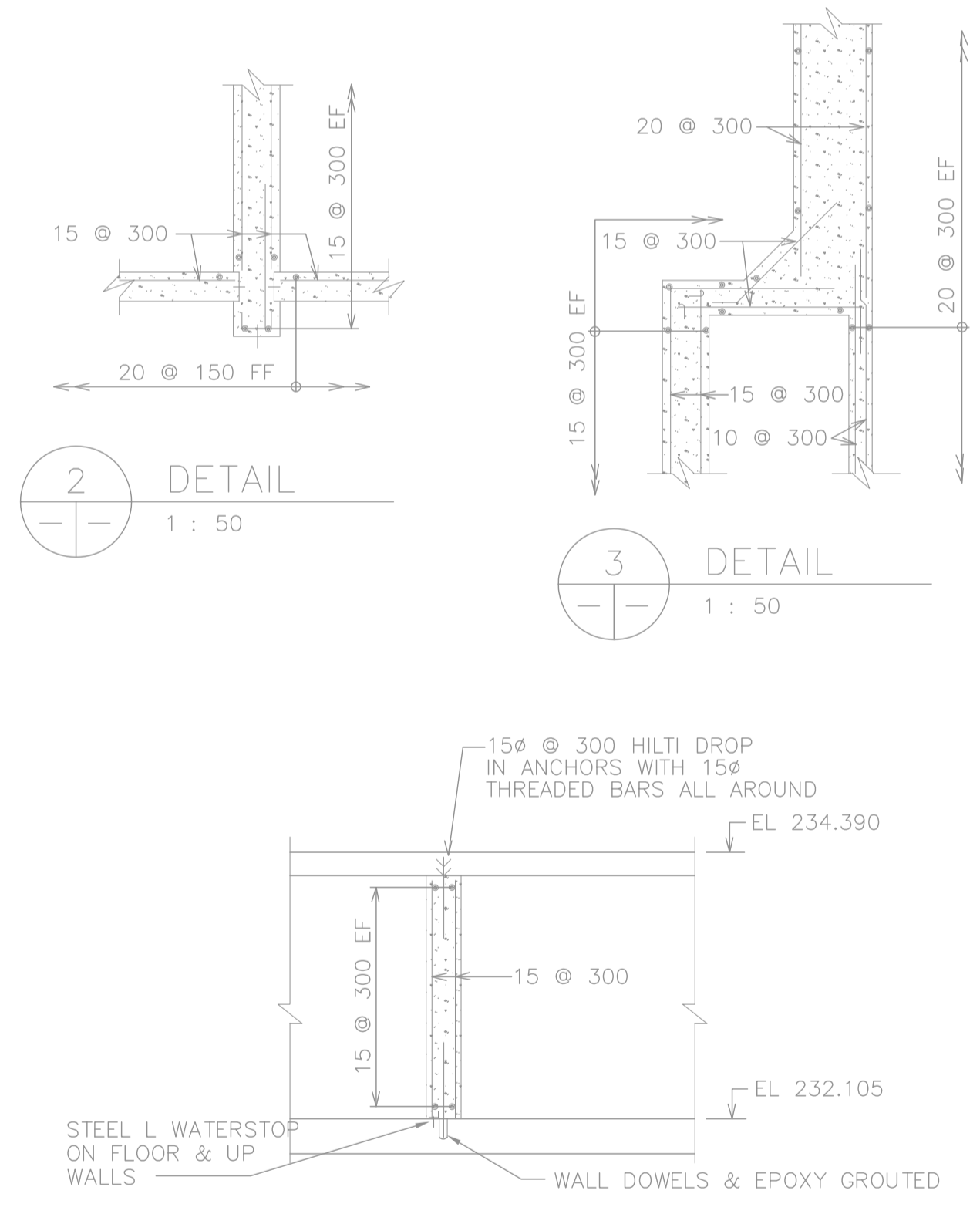
PART PLAN ABOVE EL 227.533
SCALE 1:100



PART PLAN ABOVE EL 228.600
SCALE 1:100



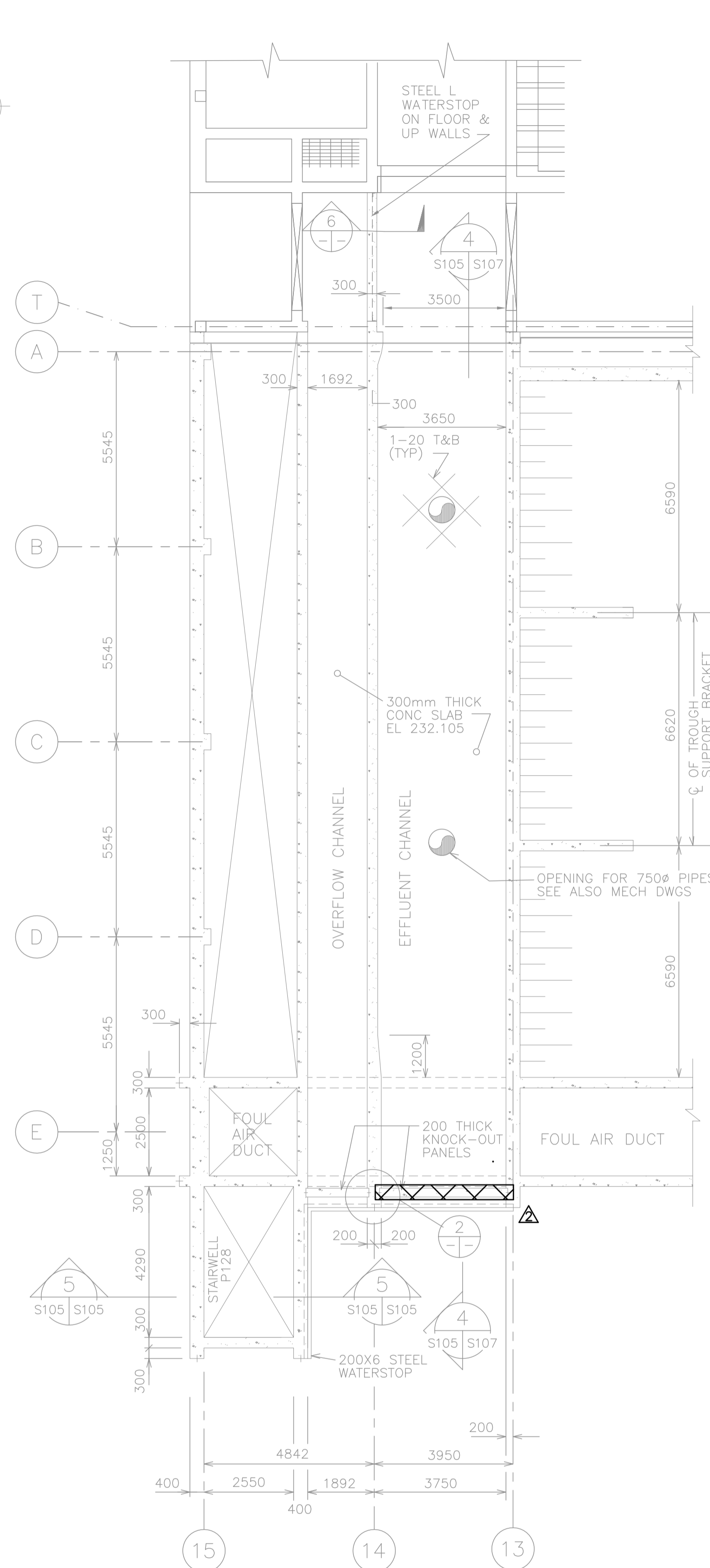
SECTION 5
S102 S105
1:50



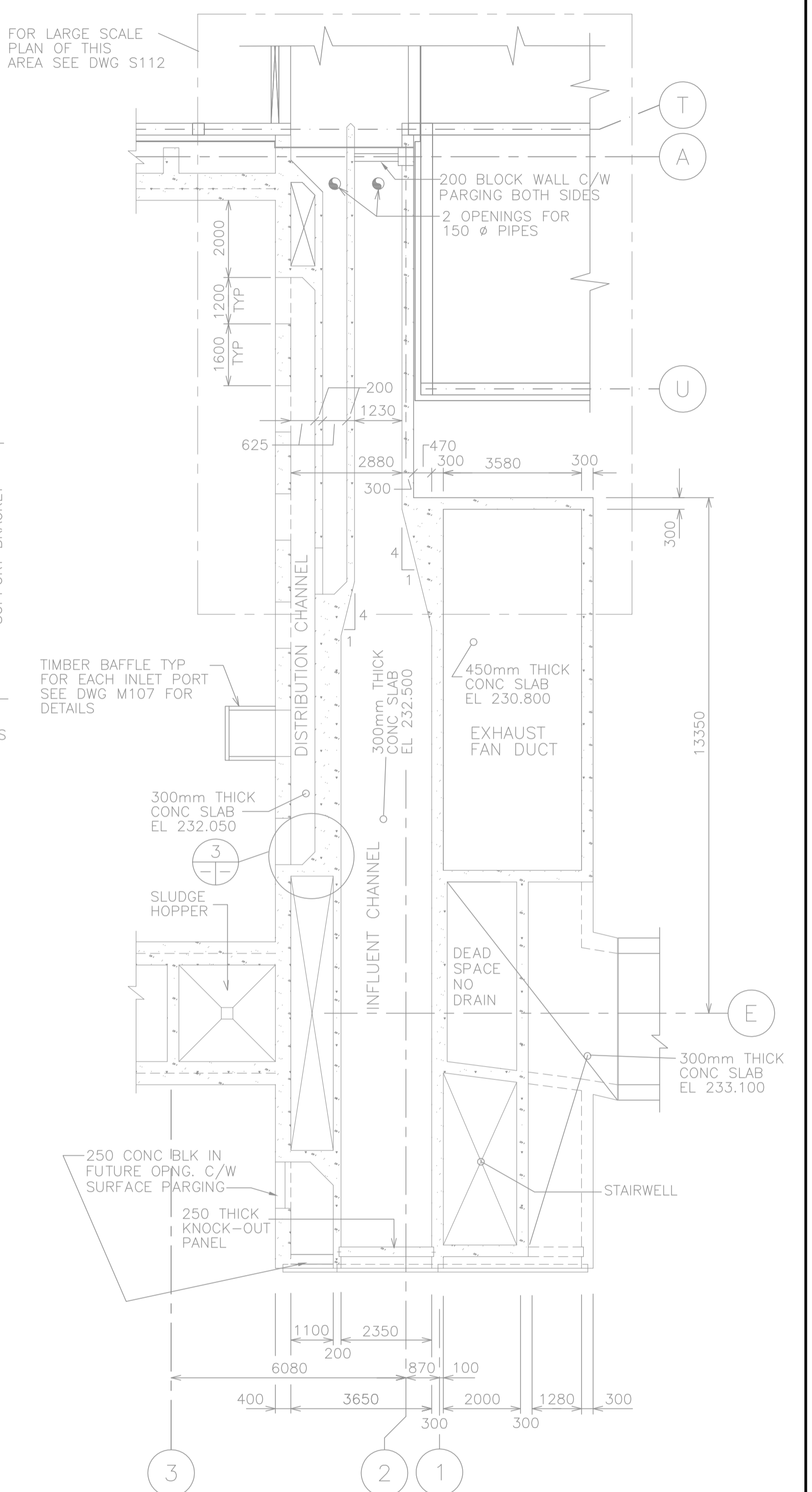
DETAIL 2
1:50

DETAIL 3
1:50

SECTION 6
1:50



PART PLAN ABOVE EL 232.105
SCALE 1:100

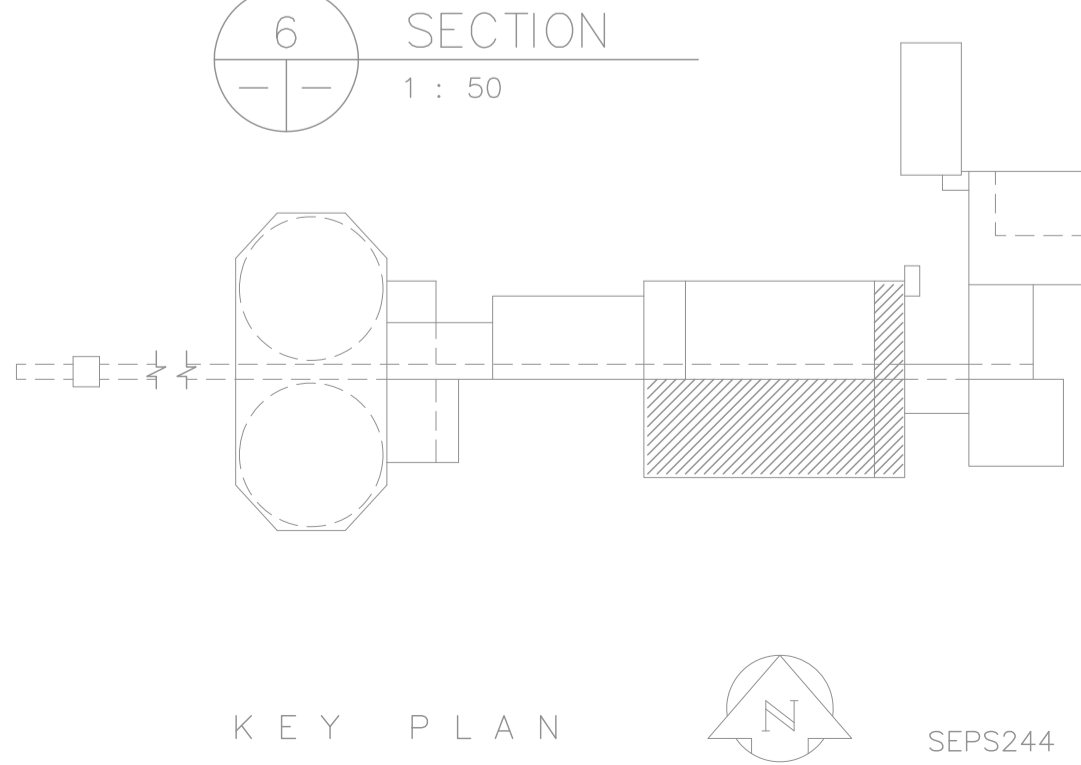


PART PLAN ABOVE EL 233.100
SCALE 1:100

NOTES:

- REFER TO GENERAL DEMOLITION NOTES DRAWING 1-0102-DAAA-A001.
- COORDINATE DEMOLITION REQUIREMENTS WITH NEW CONSTRUCTION.
- CONFIRMED ASBESTOS CONTAINING MATERIALS IN EXTERIOR WALL PLASTER. REFER TO ASBESTOS ABATEMENT SPECIFICATIONS FOR ABATEMENT PROCEDURES.

AS CONSTRUCTED
DATE: JUNE/91 BY: CJA
APPROVED BY: _____



KEY PLAN SEPS244

B.M. ELEV.		M A CLAREN ENGINEERS INC. WARDROP ENGINEERING INC.		ENGINEERING CONSULTANTS				THE CITY OF WINNIPEG WORKS AND OPERATIONS DIVISION WATERWORKS, WASTE & DISPOSAL DEPARTMENT		SOUTH END WATER POLLUTION CONTROL CENTRE		CITY DRAWING NUMBER	
4	ISSUED FOR ADDENDUM 7 - 976-2016	07/17	JBC	DESIGNED BY	AL	CHECKED BY	AL		PRIMARY CLARIFIER - STRUCTURAL PART PLANS, SECTIONS AND DETAILS	SHEET OF		SEP-244	
3	ISSUED FOR CONSTRUCTION - 976-2016	04/17	G.O.	DRAWN BY	RL	APPROVED BY							
2	90% PRELIMINARY REVIEW	12/15	C.R.	HOR. SCALE:	1:100 U/N	RELEASED FOR CONSTRUCTION:							
1	AS CONSTRUCTED	06/91	CJA	DATE	AUGUST, 1989	DATE		CONSULTANT DRAWING NO.		43525-S105			
0	ISSUED FOR TENDER	08/89	EH	NO. REVISIONS		DATE							