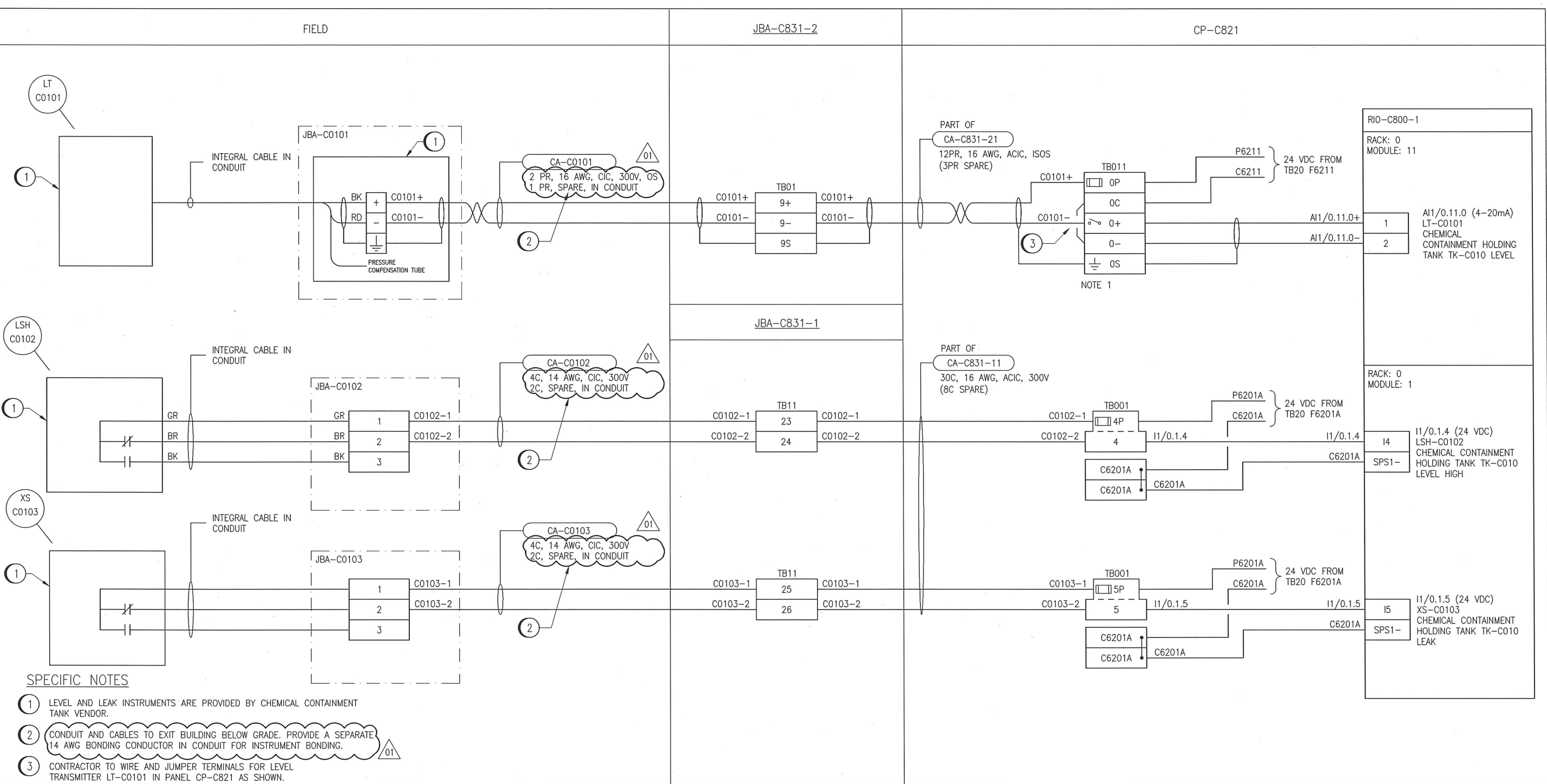


LAST SAVE: 2017/06/21 - 11:51am
 PATH: C:\pw_workdir\ch2mhill_wbg\k031761\0356080\1-0102-AILD-C001.dwg



SPECIFIC NOTES

- ① LEVEL AND LEAK INSTRUMENTS ARE PROVIDED BY CHEMICAL CONTAINMENT TANK VENDOR.
- ② CONDUIT AND CABLES TO EXIT BUILDING BELOW GRADE. PROVIDE A SEPARATE 14 AWG BONDING CONDUCTOR IN CONDUIT FOR INSTRUMENT BONDING.
- ③ CONTRACTOR TO WIRE AND JUMPER TERMINALS FOR LEVEL TRANSMITTER LT-C0101 IN PANEL CP-C821 AS SHOWN.

NOTES

1. GROUNDED TERMINALS CONNECTED TO ISOLATED GROUND THROUGH DIN RAIL.
2. EXPOSED PARTS OF THE DRAIN WIRES SHOULD BE INSIDE INSERTION JACKETS. DRAIN WIRES FOR DIFFERENT LOOPS SHOULD NOT TOUCH EACH OTHER WITHIN THE JUNCTION BOXES, I/O OR MARSHALLING CABINETS. ALL OF THE SHIELD DRAIN WIRES SHALL BE CUT AND TAPED IN THE FIELD NEAR THE INSTRUMENT.



NO.	REVISIONS	DATE	DESIGN	CHECK
01	ISSUED FOR ADDENDUM 3 - 976-2016	2017/06/23	SSB	TMC
00	ISSUED FOR CONSTRUCTION - 976-2016	2017/04/05	SSB	TMC

SNC-LAVALIN **CH2MHILL** **KGS GROUP CONSULTING ENGINEERS**

DESIGNED BY: S. BOGHOSIAN	CHECKED BY: T. CHURCH
DRAWN BY: S. BOGHOSIAN	APPROVED BY: E. RYCZKOWSKI
SCALE: NTS	DATE: 2016/05/27
ISSUED FOR CONSTRUCTION	
BY: J. SHUMKA	DATE: 2017/04/05
CONSULTANT NO.: 474248	

ENGINEER'S SEAL

THE CITY OF WINNIPEG
WATER AND WASTE DEPARTMENT

SOUTH END WATER POLLUTION CONTROL CENTRE
SEWPCC UPGRADING/EXPANSION PROJECT
AUTOMATION - LOOP DIAGRAM
LT-C0101, LSH-C0102 AND XS-C0103
CHEMICAL CONTAINMENT HOLDING TANK TK-C010 INSTRUMENTS

CITY DRAWING NUMBER: 1-0102-AILD-C001
SHEET: 001
REV: 01
SIZE: B