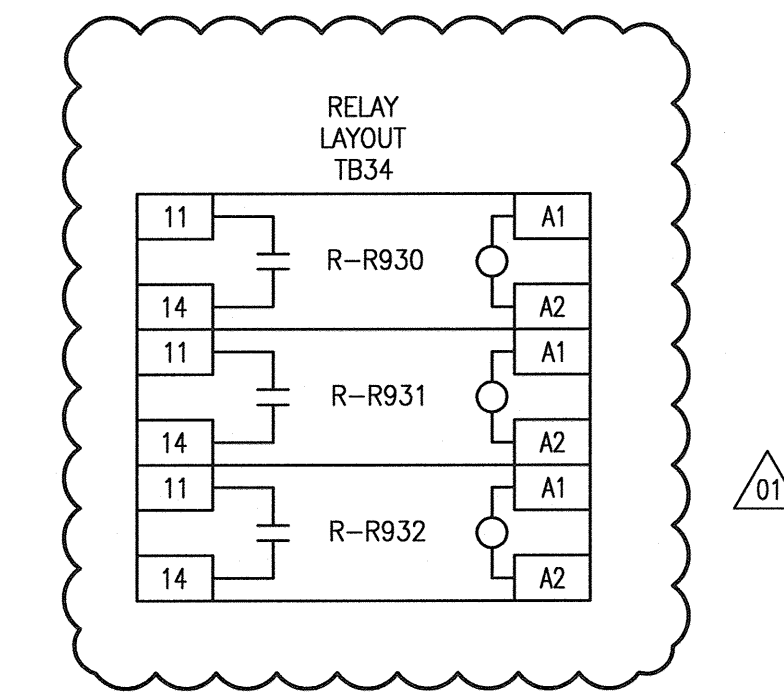


TERMINAL LAYOUT TB24

1
2
3
4
5
6
7
8



LEGEND:

- CP-R820 TERMINAL
- CP-R821 TERMINAL

REFERENCE DRAWINGS	DESCRIPTION



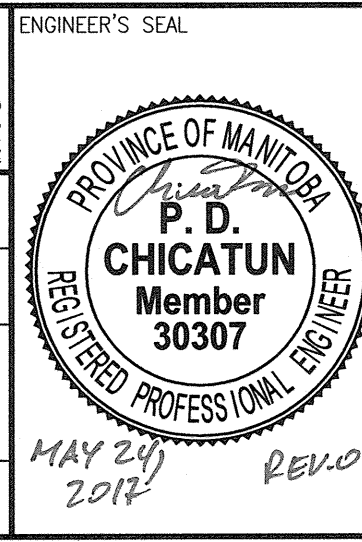
01	ISSUED FOR ADDENDUM 1 - 976-2016	2017/05/26	SB	PC	
00	ISSUED FOR CONSTRUCTION - 976-2016	2017/04/05	MW	PC	
NO.	REVISIONS	DATE	DESIGN	CHECK	

CH2MHILL
 SNC-Lavalin

DESIGNED BY: M. WANG
 DRAWN BY: M. WANG
 SCALE: NTS

CHECKED BY: P. CHICATUN
 APPROVED BY: E. RYCZKOWSKI
 ISSUED FOR CONSTRUCTION BY: J. SHUMKA
 DATE: 2015/11/13
 DATE: 2017/04/05

CONSULTANT NO.: 474248



THE CITY OF WINNIPEG
 WATER AND WASTE DEPARTMENT

SOUTH END WATER POLLUTION CONTROL CENTRE
 SEWPPC UPGRADING/EXPANSION PROJECT
 AUTOMATION - WIRING DIAGRAM
 BIOREACTORS/BLOWER BUILDING
 CP-R820 MISCELLANEOUS WIRING

CITY DRAWING NUMBER: 1-0102-ACBD-R005
 SHEET: 001
 REV: 01
 SIZE: A1