

B SECTION
 SCALE: 1:25
 SU.2 SHOWN
 SU.3 & SU.4 SIMILAR

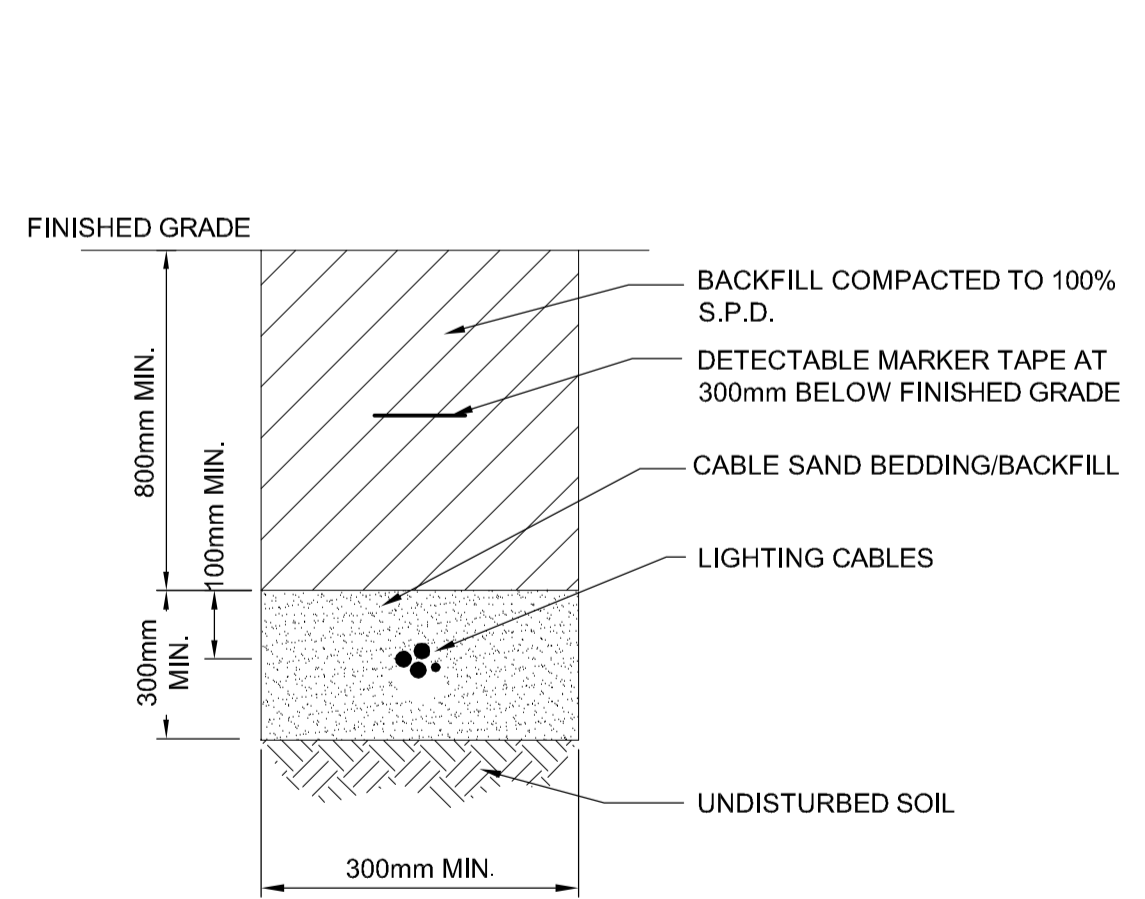
C SECTION
 SCALE: 1:25
 SU.3 SHOWN
 SU.2 & SU.4 SIMILAR

NOTES:

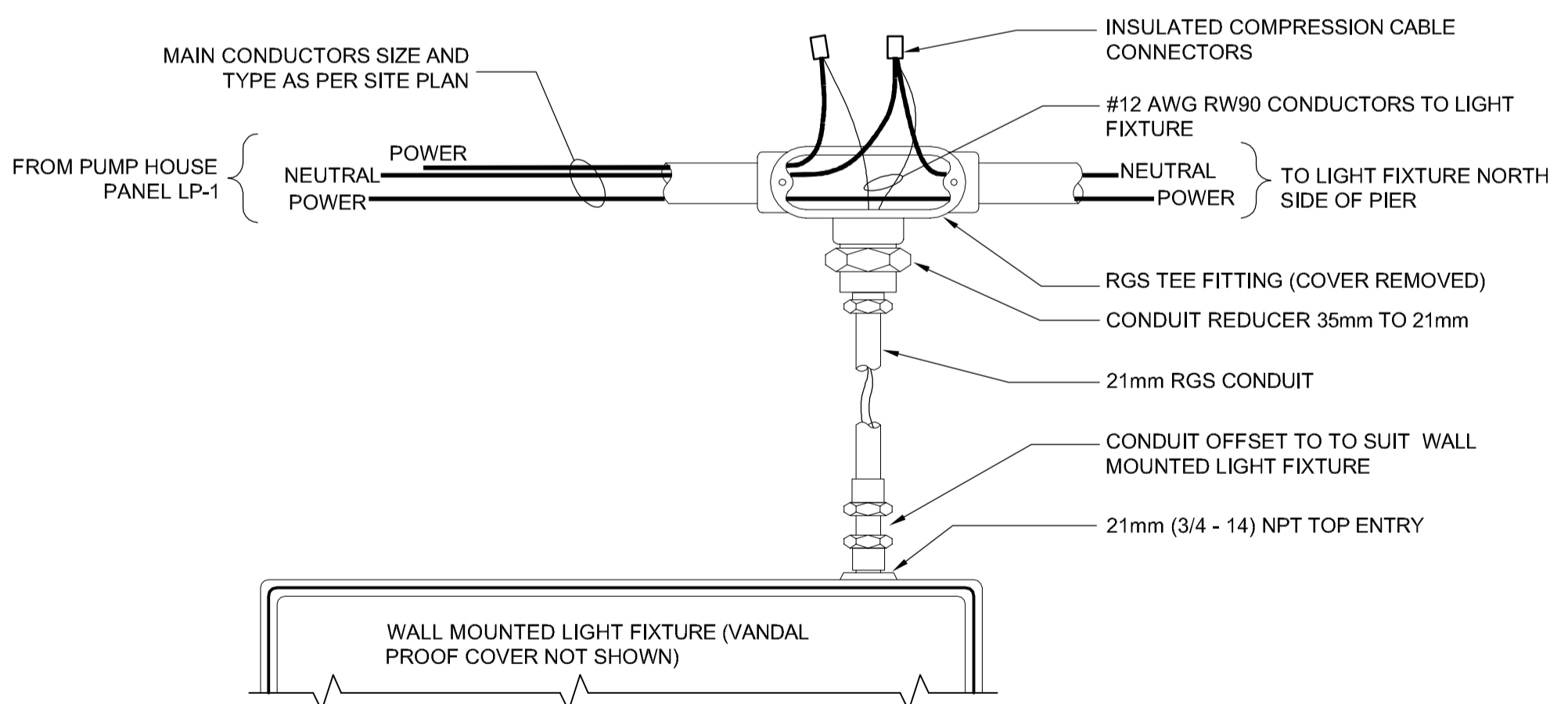
1. SURFACE MOUNTED LIGHT FIXTURE FOR UNDERPASS LIGHTING TO BE HOLOPHANE CAT. No. TALED-3-3K-7-AS-WCR-DGRA-L LIGHT FIXTURE DIECAST ALUMINUM HOUSING AND DOOR, PRISMATIC GLASS LENS, STAINLESS STEEL FASTENERS, 3 LED MODULES, 3000 K COLOR TEMPERATURE 700mA DRIVER, MULTIVOLTAGE, WALL MOUNT GREY FINISH, LATCHED DOOR CLOSURE.

SPECIFICATION:

1. PROVIDE ALL MATERIALS, LABOUR, PLANT AND EQUIPMENT NECESSARY TO MAKE A COMPLETE INSTALLATION AS DESCRIBED AND SHOWN. THIS INSTALLATION TO BE LEFT COMPLETE AND READY FOR OPERATION.
2. THE ENTIRE INSTALLATION SHALL BE GUARANTEED FOR ONE YEAR FROM DATE OF FINAL ACCEPTANCE BY OWNER. REPLACE, AT NO COST, ANY WORK OR MATERIAL WHICH MAY FAIL OR PROVE DEFECTIVE DURING THE GUARANTEE PERIOD.
3. THE INSTALLATION SHALL CONFORM IN EVERY RESPECT TO THE RULES AND REGULATIONS OF THE LATEST EDITION OF THE CANADIAN ELECTRICAL CODE AND ALL LOCAL CODES. ALL WORK SHALL BE UNIFORM AND HIGH QUALITY. ALL EQUIPMENT SUPPLIED UNDER THIS CONTRACT SHALL BE NEW AND BUILT IN ACCORDANCE WITH EEMAC STANDARDS AND SHALL BE CSA AND LOCALLY APPROVED.
4. THE ENTIRE INSTALLATION SHALL BE GROUNDED IN CONFORMANCE WITH THE CANADIAN ELECTRICAL CODE.
5. CAREFULLY EXAMINE ALL PLANS AND SPECIFICATIONS PERTAINING TO THIS CONTRACT AND VISIT SITE TO DETERMINE ALL FACTORS AFFECTING COSTS AND INCLUDE SAME IN TENDER. NOTIFY ENGINEER OF DISCREPANCIES OR CONFLICTIONS WITH ANY REGULATION BEFORE SUBMITTING PRICE. FAILING SUCH NOTIFICATION, THIS CONTRACTOR SHALL MEET SUCH REQUIREMENTS WITHOUT EXTRA COST TO THE OWNER.
6. OBTAIN ALL NECESSARY PERMITS, PAY ALL NECESSARY FEES, GIVE ALL NECESSARY NOTICES, AND OBTAIN APPROVAL OF THE ELECTRICAL INSPECTOR HAVING JURISDICTION.



A SECTION
 SCALE: N.T.S.



1 DETAIL
 SCALE: N.T.S.

G:\CAD\163353\Technical\Workspace\Engineering\Drawings and Figures\Structures\Contract\163353-C2-CON-CS-ELEC-DETAILS.dwg

APEGM
 Certificate of Authorization
 Dillon Consulting Limited (MB)
 No. 1789 Date: 2017/01/09

DESIGNED BY	SCB	CHECKED BY	BF
DRAWN BY	MS/SK	APPROVED BY	DBW
HOR. SCALE	AS SHOWN	RELEASED FOR CONSTRUCTION	
VERTICAL SCALE	AS SHOWN		
NO.	REVISIONS	DATE	BY
1	ADDENDUM #5	17/03/01	RE
0	ISSUED FOR TENDER	17/01/09	RE

ENGINEER'S SEAL
 PROVINCE OF MANITOBA
B.N. FEUER
 REGISTERED PROFESSIONAL ENGINEER
 CONSULTANT PROJECT NUMBER
 16-3353

THE CITY OF WINNIPEG
 PUBLIC WORKS DEPARTMENT

Waverley Street Underpass at CN Mile 3.89 Rivers Sub
 Contract 2: Underpass Structure, Railworks,
 Roadworks, Land Drainage Sewer, Pumping Station
 and Landscaping Works

CITY DRAWING NUMBER
 U-239-2016-C2-CS-063
 SHEET 063 OF 085
 CONSULTANT DRAWING NUMBER
 C2-CS-063

ELECTRICAL
 SECTIONS AND DETAILS