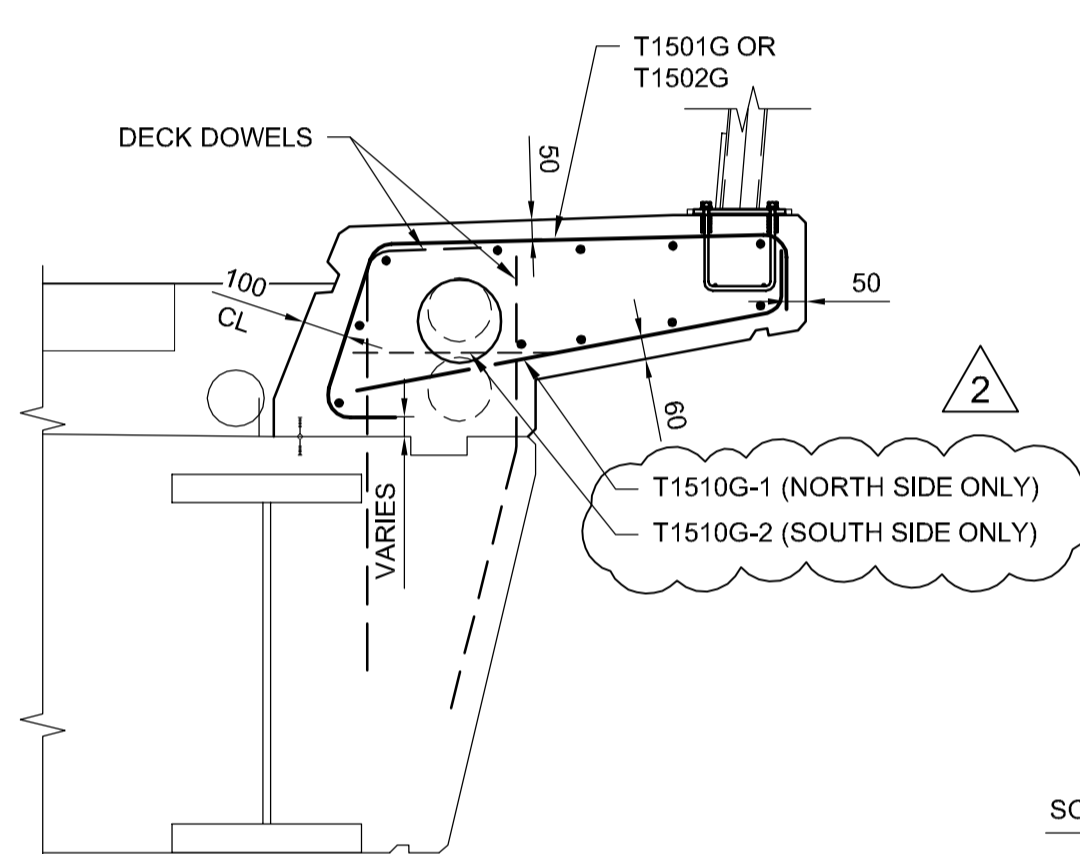
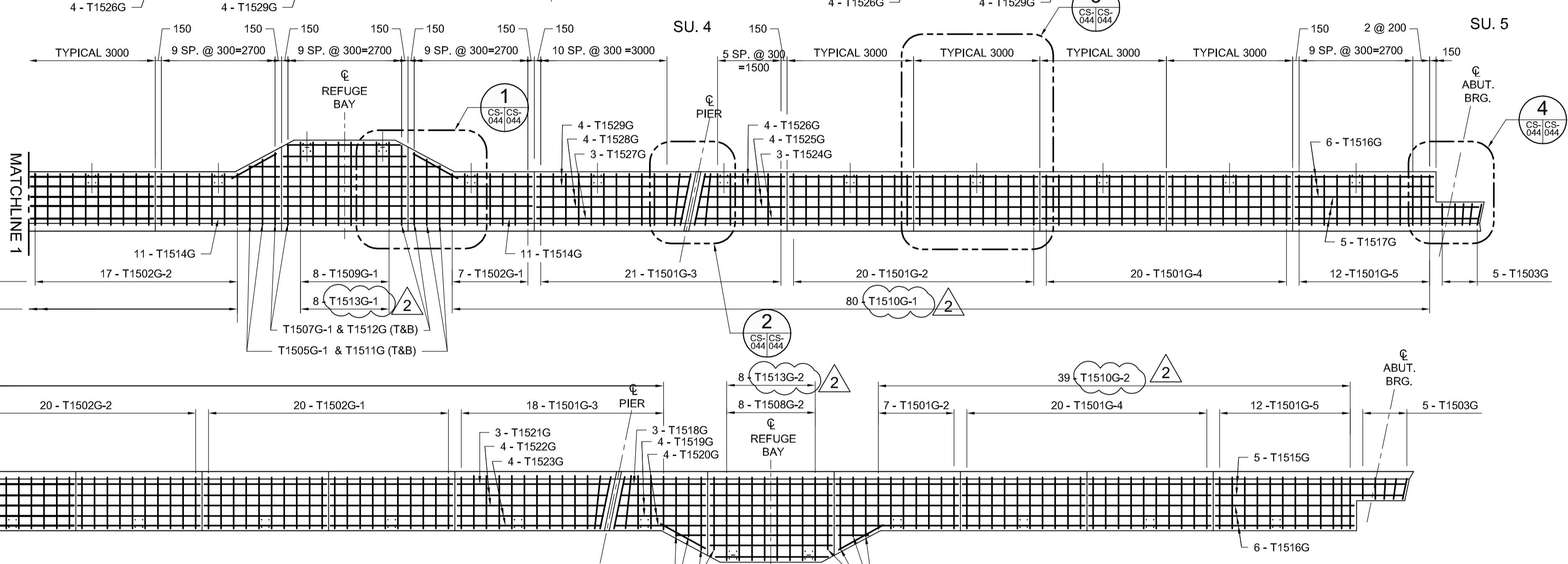


- NOTES:**
- FOR REINFORCING STEEL NOTES REFER TO SHEET C2-CS-001.
 - FOR CONCRETE NOTES AND CONCRETE CLEAR COVER TO REINFORCEMENT REFER TO SHEET C2-CS-001.
 - REINFORCING STEEL WITH MARKS ENDING WITH "G" SHALL BE GALVANIZED REINFORCING.

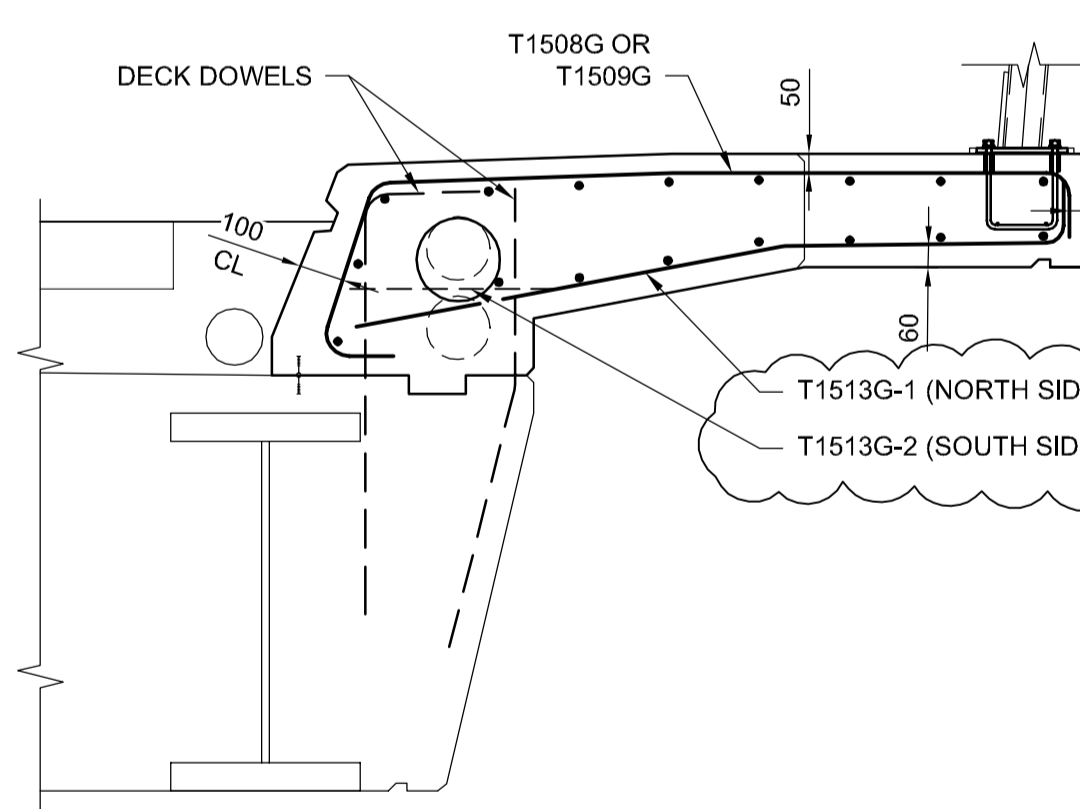
ALL REINFORCING CHANGED TO GALVANIZED REINFORCING STEEL

NOTE:
SEE DETAILS '1' TO '4' WHERE BAR MK. OR SPACING NOT INDICATED ON PLAN

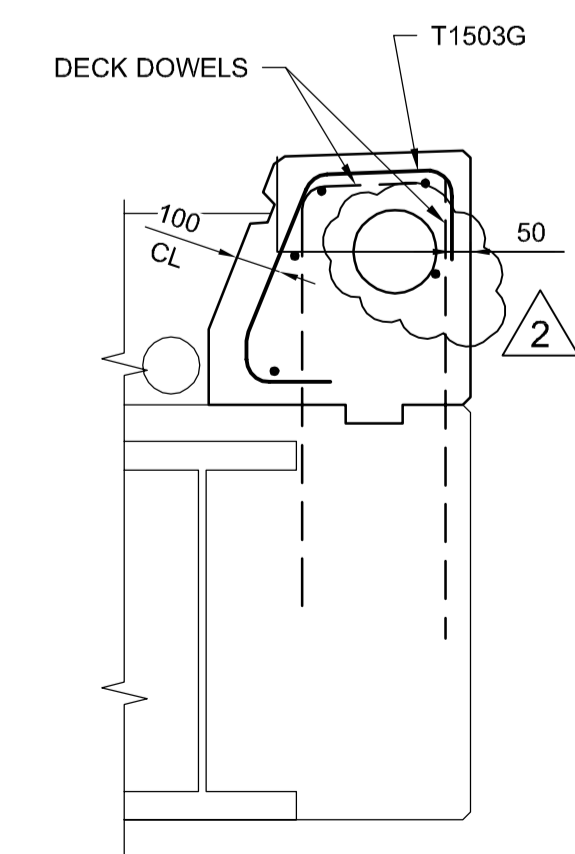
REINFORCING PLAN
SCALE: 1:75



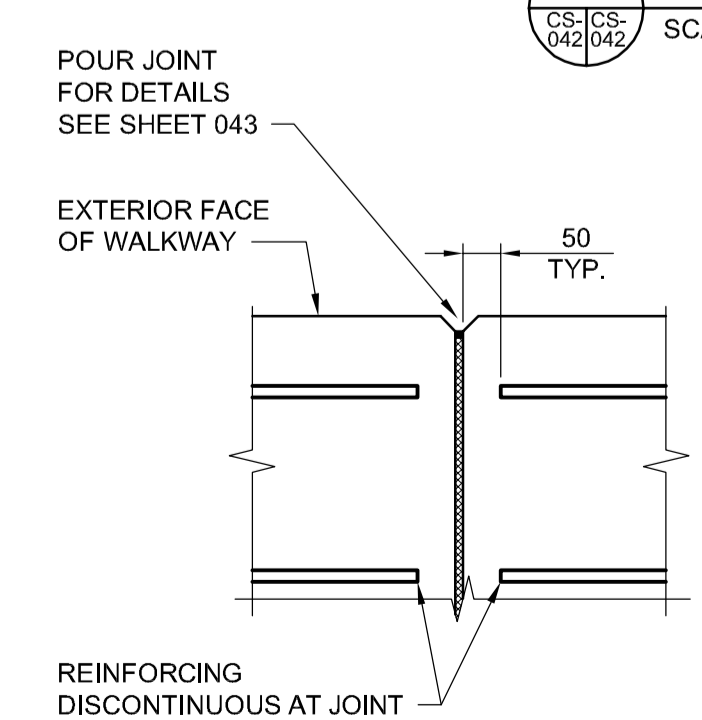
A SECTION
SCALE: 1:20



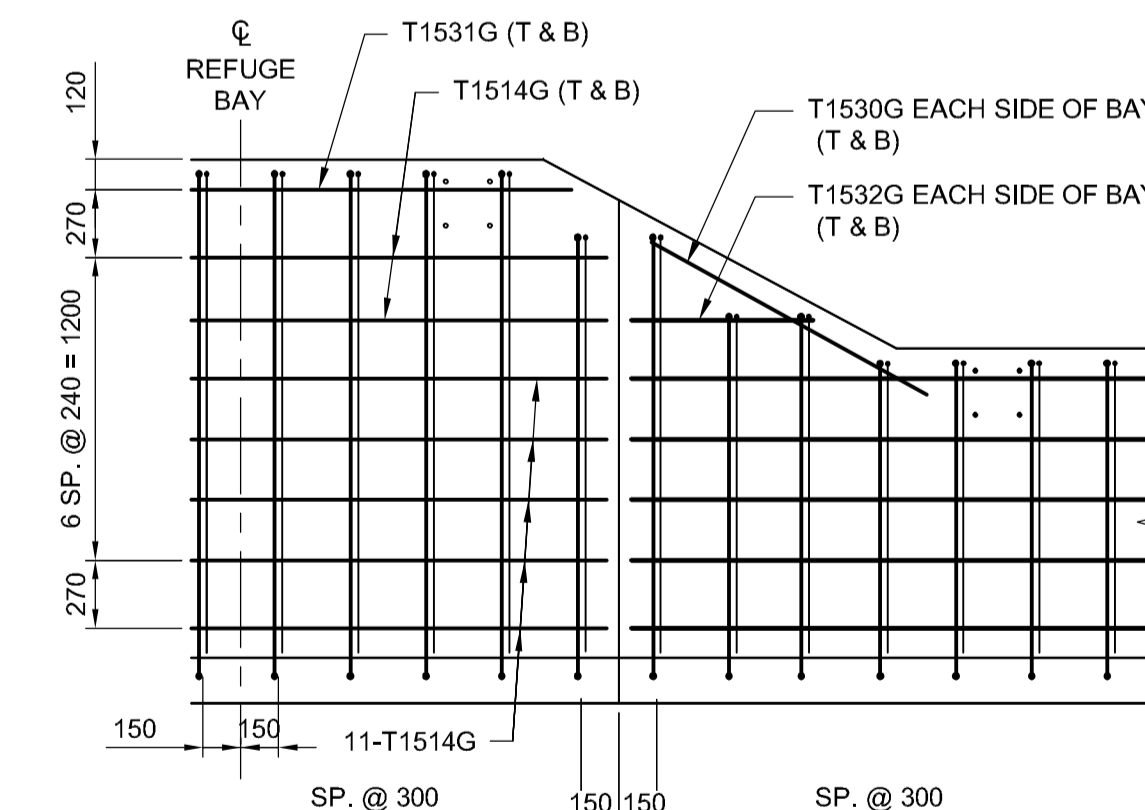
B SECTION
SCALE: 1:20



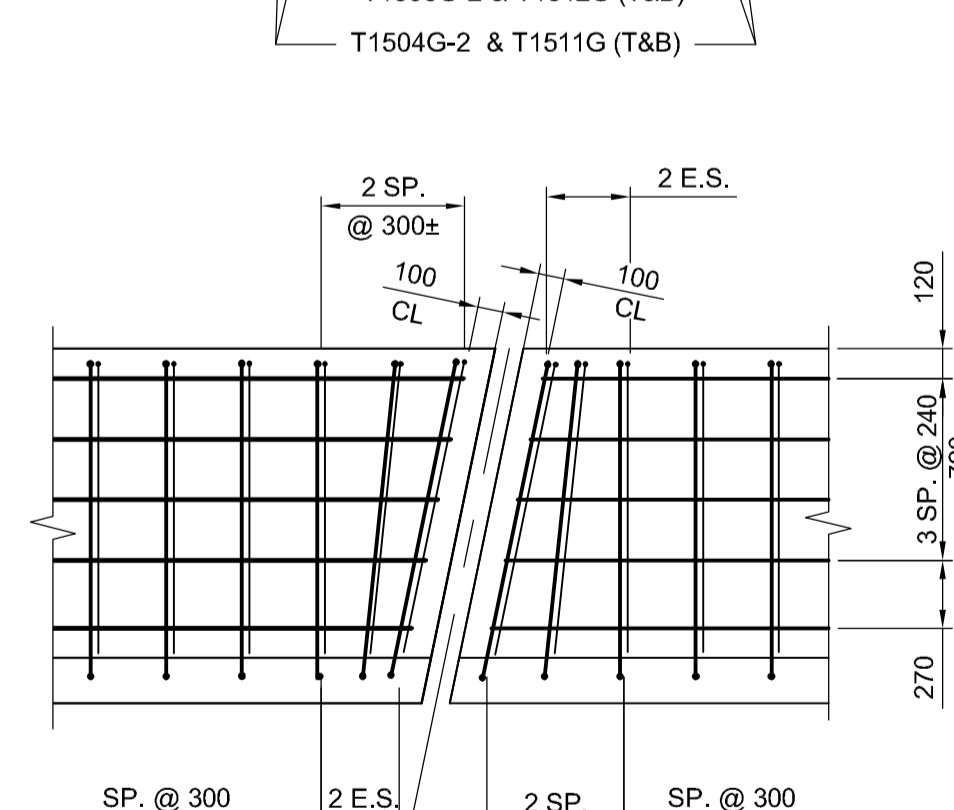
C SECTION
SCALE: 1:20



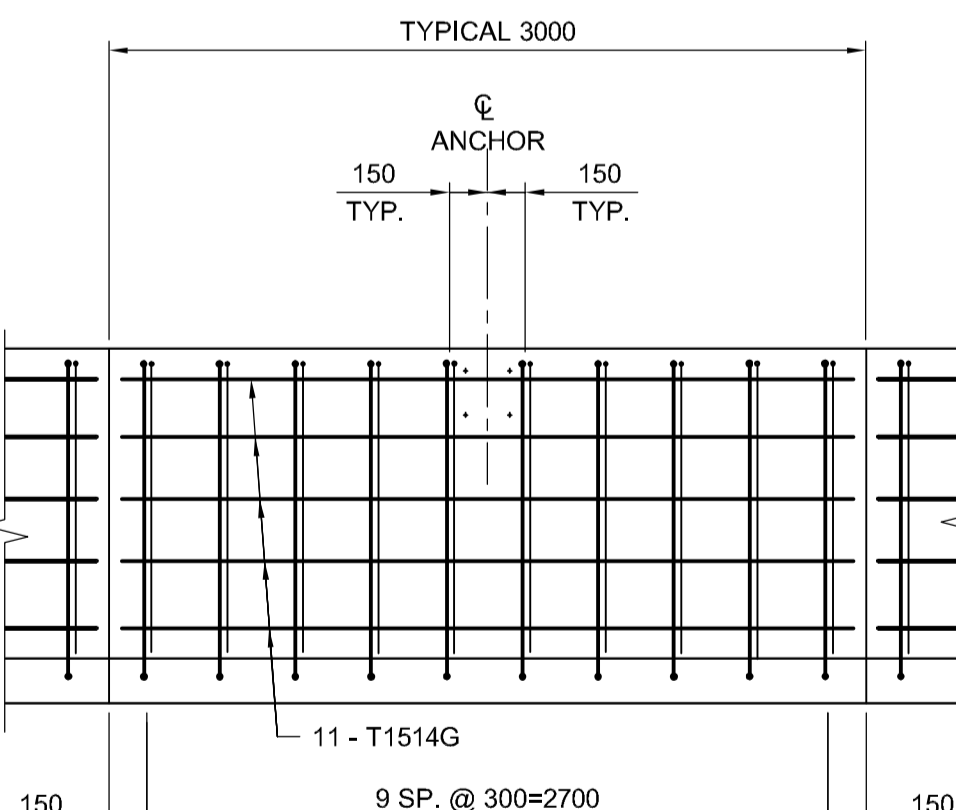
WALKWAY JOINT DETAIL
SCALE: 1:10



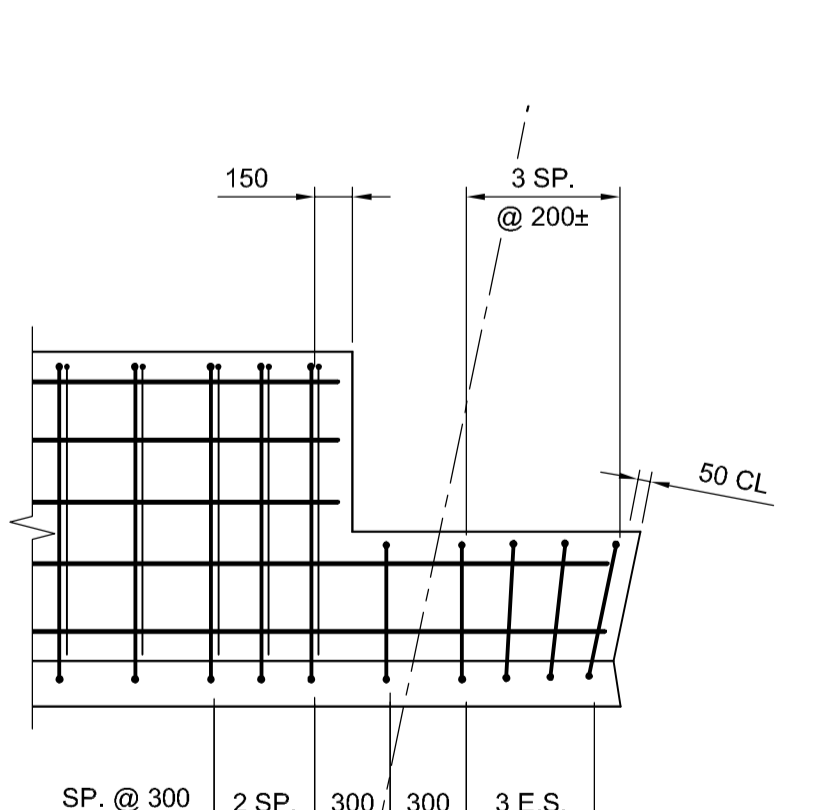
1 DETAIL
SCALE: 1:30
TYPICAL EACH SIDE OF REFUGE BAY



2 DETAIL
SCALE: 1:30
TYPICAL AT EACH EXPANSION JOINT



3 DETAIL
SCALE: 1:30
TYPICAL EACH 3000 PANEL



4 DETAIL
SCALE: 1:30
TYPICAL EACH END

G:\CAD\163353\Technical Workspace\Engineering\Drawings and Figures\Structures\Contract\163353-C2-CON-CS-TRAINMAN WALKWAY REINF.dwg

APEGM
Certificate of Authorization
Dillon Consulting Limited (MB)
No. 1789 Date: 2017/01/09

NO.	REVISIONS	DATE	BY	DATE
2	ADDENDUM #5	17/03/01	RE	
1	ADDENDUM #1	17/01/25	RE	
0	ISSUED FOR TENDER	17/01/09	RE	

DESIGNED BY	RE	CHECKED BY	SSR
DRAWN BY	DB	APPROVED BY	DBW
HOR. SCALE	AS SHOWN	RELEASED FOR CONSTRUCTION	
VERTICAL SCALE	AS SHOWN		

ENGINEER'S SEAL
PROVINCE OF MANITOBA
R.B. ERIC
Member
22665
REGISTERED PROFESSIONAL ENGINEER
CONSULTANT PROJECT NUMBER
16-3353

THE CITY OF WINNIPEG
PUBLIC WORKS DEPARTMENT

Waverley Street Underpass at CN Mile 3.89 Rivers Sub
Contract 2: Underpass Structure, Railworks,
Roadworks, Land Drainage Sewer, Pumping Station
and Landscaping Works

CITY DRAWING NUMBER
U-239-2016-C2-CS-044
SHEET **044** OF **085**
CONSULTANT DRAWING NUMBER
C2-CS-044

TRAINMAN'S WALKWAY
REINFORCING DETAILS