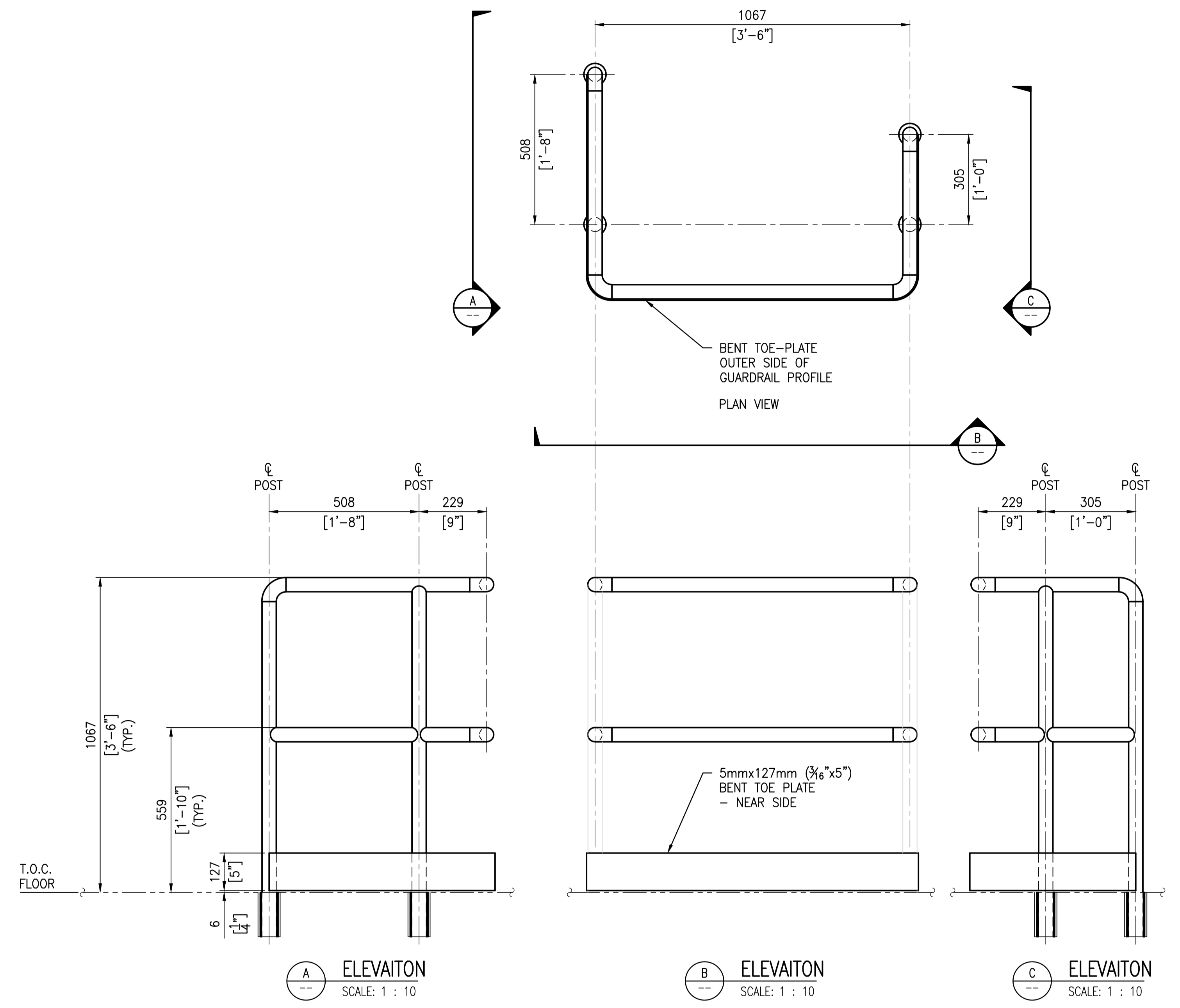
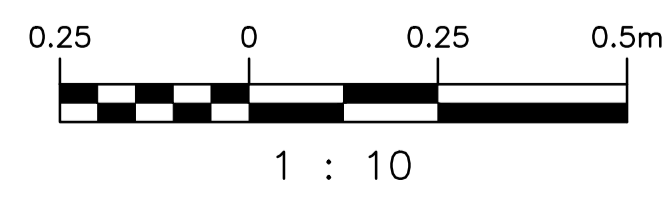
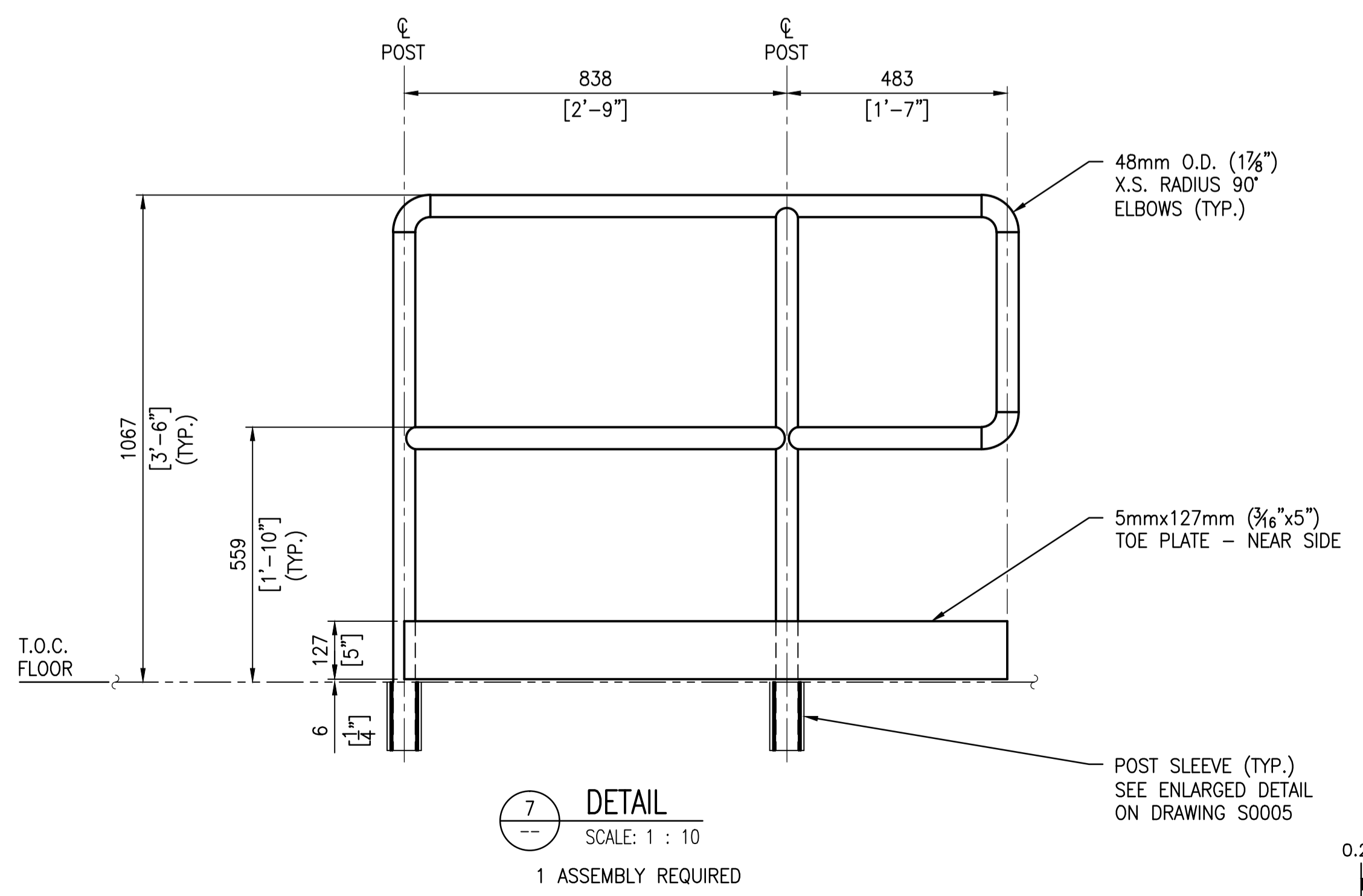


- NOTES:**
- SEE DRAWING 1-0169L-S0004 FOR GENERAL NOTES.
 - SEE DRAWING 1-0169L-S0005 FOR STRUCTURAL NOTES.



ALL 48mm O.D. (1 7/8") SCHED. 40 PIPE WELDED ASSEMBLIES
 ALL GUARDRAIL ASSEMBLIES TO BE PAINTED SAFETY YELLOW



NO.	REVISIONS	DATE	DESIGN	CHECK
00	ISSUED FOR ADDENDUM - GUARDRAILS ADDED	2015/09/28	K.K.	

SNC-LAVALIN INC. 148 Nature Park Way Winnipeg, MB, Canada R3P 0X7 204-786-8080		ENGINEER'S SEAL PRELIMINARY NOT TO BE USED FOR CONSTRUCTION
DESIGNED BY: K. KOTYK	CHECKED BY: D. COATES	THE CITY OF WINNIPEG WATER AND WASTE DEPARTMENT OLIVE WASTEWATER LIFT STATION 2015 UPGRADES PLAN, ELEVATIONS & GENERAL NOTES GUARDRAIL ASSEMBLIES
DRAWN BY: B. DICKSON	APPROVED BY: I. PARKINSON	
SCALE: AS SHOWN	ISSUED FOR CONSTRUCTION BY:	CITY DRAWING NUMBER 1-0169L-S0004
DATE: 2015/09/01	DATE:	SHEET 003
CONSULTANT NO.: 629179-0000-42DD-0001		REV. 00
		SIZE A1