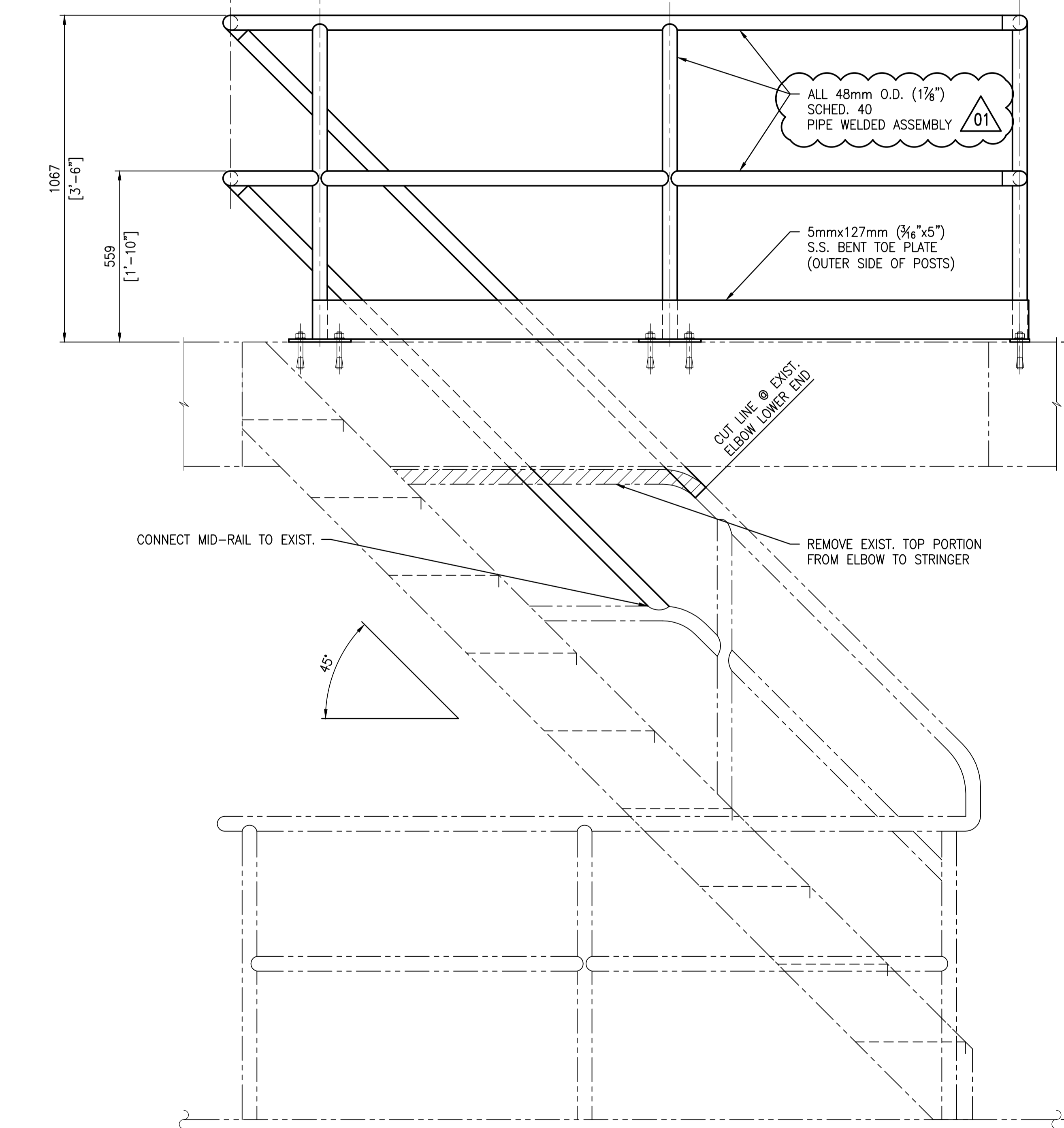
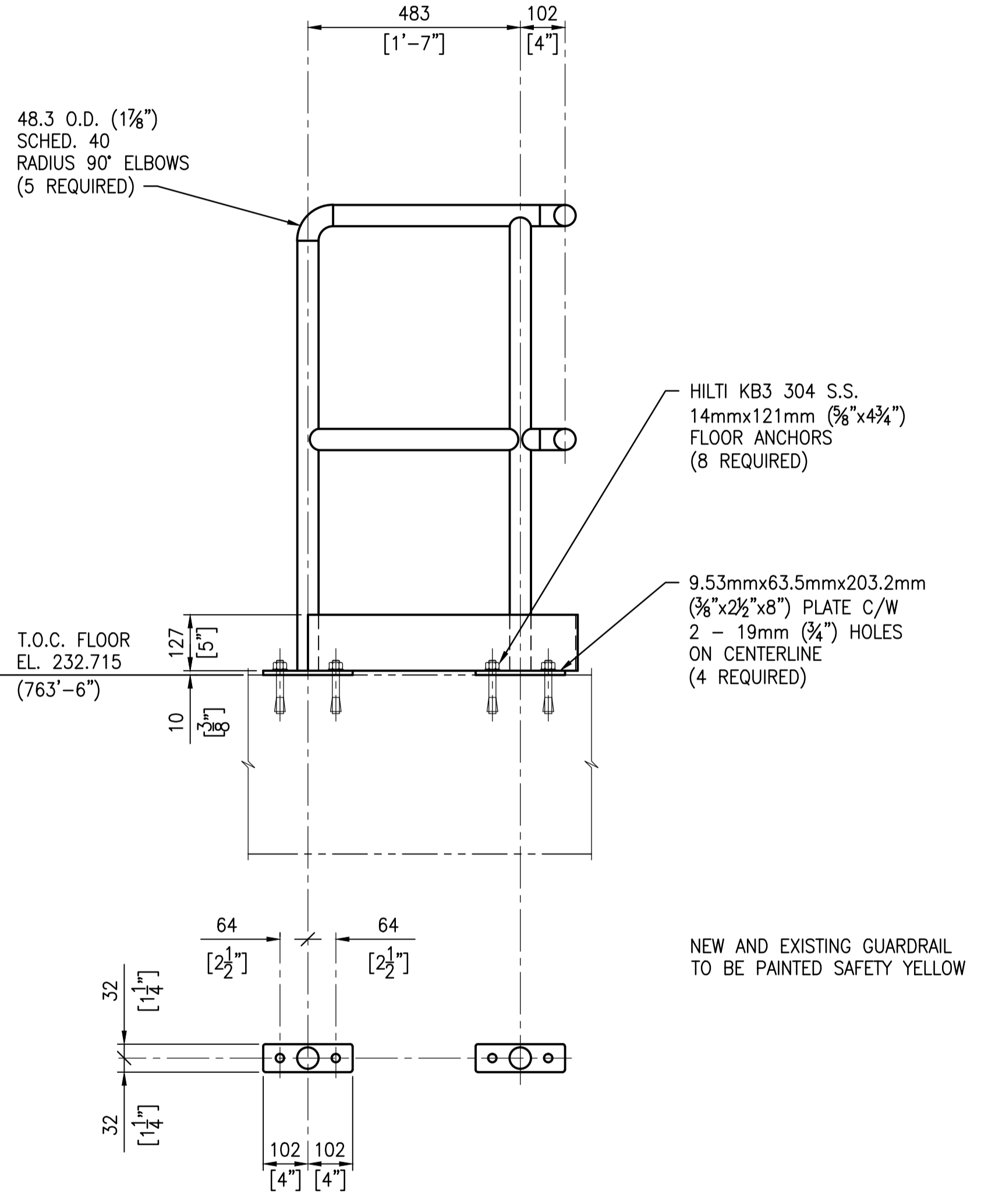


**PLAN**  
SCALE: 1 : 10



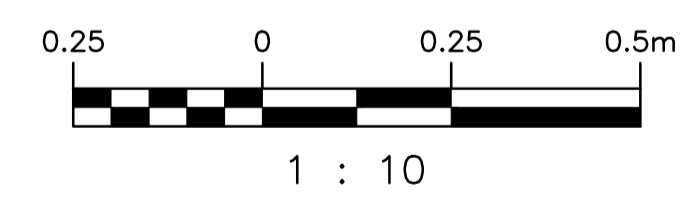
**A**  
**ELEVATION**  
SCALE: 1 : 10



**B**  
**ELEVATION**  
SCALE: 1 : 10

**1**  
**DETAIL - GUARDRAIL ASSEMBLY**  
SCALE: 1 : 10  
SOURCE DRAWINGS S0001, S0002 & S0003

NOTE: TAKE CARE NOT TO DAMAGE EXIST. CONCRETE REINF. WHEN INSTALLING GUARDRAIL SUPPORTS. REFER TO NOTES ON DRAWING S0005 FOR INSTALLATION PROCEDURE.



NO.	REVISIONS	DATE	DESIGN	CHECK
01	GUARDRAIL POSTS REVISED TO SCHEDULE 40	2015/09/28	K.K.	
00	ISSUED FOR TENDER	2015/09/17	K.K.	

SNC-LAVALIN INC. 148 Nature Park Way Winnipeg, MB, Canada R3P 0X7 204-786-8080	
DESIGNED BY: K. KOTYK	CHECKED BY: D. COATES
DRAWN BY: B. DICKSON	APPROVED BY: I. PARKINSON
SCALE: 1:10	ISSUED FOR CONSTRUCTION BY:
DATE: 2015/09/01	DATE:
CONSULTANT NO.: 629179-0000-42DD-0001	

ENGINEER'S SEAL  
  
**PRELIMINARY**  
 NOT TO BE  
 USED FOR  
 CONSTRUCTION

**THE CITY OF WINNIPEG**  
 WATER AND WASTE DEPARTMENT

OLIVE WASTEWATER LIFT STATION  
 2015 UPGRADES  
 PLAN, ELEVATIONS & GENERAL NOTES  
 GUARDRAIL ASSEMBLIES

CITY DRAWING NUMBER <b>1-0169L-S0004</b>	SHEET <b>001</b>	REV. <b>01</b>	SIZE <b>A1</b>
---	---------------------	-------------------	-------------------

**GENERAL NOTES:**

- THESE NOTES ARE TO BE READ IN CONJUNCTION WITH THE PROJECT SPECIFICATION.
- THESE NEW INSTALLATIONS HAVE BEEN DESIGNED IN ACCORDANCE WITH THE NATIONAL BUILDING CODE OF CANADA 2005 AND AS REVISED BY THE MANITOBA BUILDINGS AND MOBILE HOMES ACT (C.C.S.M.C. B93) REGULATION 127/2006.
- REFERENCE OR COMPLIANCE WITH A STANDARD SHALL MEAN REFERENCE TO THE CURRENT EDITION OF THAT STANDARD AS WELL AS SUPPLEMENTS AND ALL DOCUMENTS REFERENCED THEREIN UNLESS REFERENCE TO A SPECIFIC DOCUMENT VERSION IS MADE.
- THE CONTRACTOR SHALL COMPLY WITH ALL HEALTH AND SAFETY REQUIREMENTS AND REGULATIONS FOR THE PROVINCE OF MANITOBA.
- THE DRAWINGS SHOW THE COMPLETED STRUCTURAL SYSTEM; THEY DO NOT SHOW WHICH MAY BE NECESSARY FOR SAFETY DURING CONSTRUCTION. THE CONTRACTOR IS RESPONSIBLE FOR SAFETY IN AND AROUND THE JOB SITE.
- ALL WORK IN THE FIELD TO INCORPORATE PROPER SAFETY PRECAUTIONS TO ENSURE THE SAFETY OF THE WORKERS AND PREVENT DAMAGE TO ALL EXISTING EQUIPMENT AND STRUCTURES.
- DO NOT SCALE DRAWINGS
- VERIFY ALL DIMENSIONS, ELEVATIONS AND EXTENT OF WORK WITH DRAWINGS AND REPORT ANY DISCREPANCIES OR CONFLICTS TO THE CONTRACT ADMINISTRATOR PRIOR TO PROCEEDING WITH CONSTRUCTION. DO NOT DIMENSION FROM ELECTRONIC DRAWINGS. REWORK OF ITEMS FABRICATED PRIOR TO IDENTIFICATION OF DISCREPANCIES AND/OR CONFLICTS SHALL BE AT NO ADDITIONAL COST TO THE OWNER.
- LOCATE SERVICES AND PROTECT THEM AT ALL TIMES DURING CONSTRUCTION.
- STRUCTURAL INTEGRITY OF EXISTING STRUCTURES TO BE MAINTAINED DURING CONSTRUCTION.
- REPORT ANY UNSOUND CONDITIONS OBSERVED OR CREATED IMMEDIATELY TO THE CONTRACT ADMINISTRATOR.
- MODIFICATIONS, ALTERATIONS, OR SUBSTITUTIONS MUST BE AUTHORIZED IN WRITING BY THE CONTRACT ADMINISTRATOR PRIOR TO ANY FABRICATION OR ERECTION.
- ALL CONTRACTOR MEANS AND METHODS, INCLUDING TEMPORARY SCAFFOLDING SHALL BE ERECTED AND REMOVED BY AN APPROPRIATELY EXPERIENCED INSTALLATION CONTRACTOR IN ACCORDANCE WITH MANITOBA REGULATION 217/2006. SCAFFOLDING TO BE DESIGNED AND APPROVED FOR USE IN ACCORDANCE WITH SECTION 28 OF 217/2006.
- SEE DRAWING 1-0169L-S0005 FOR STRUCTURAL NOTES.