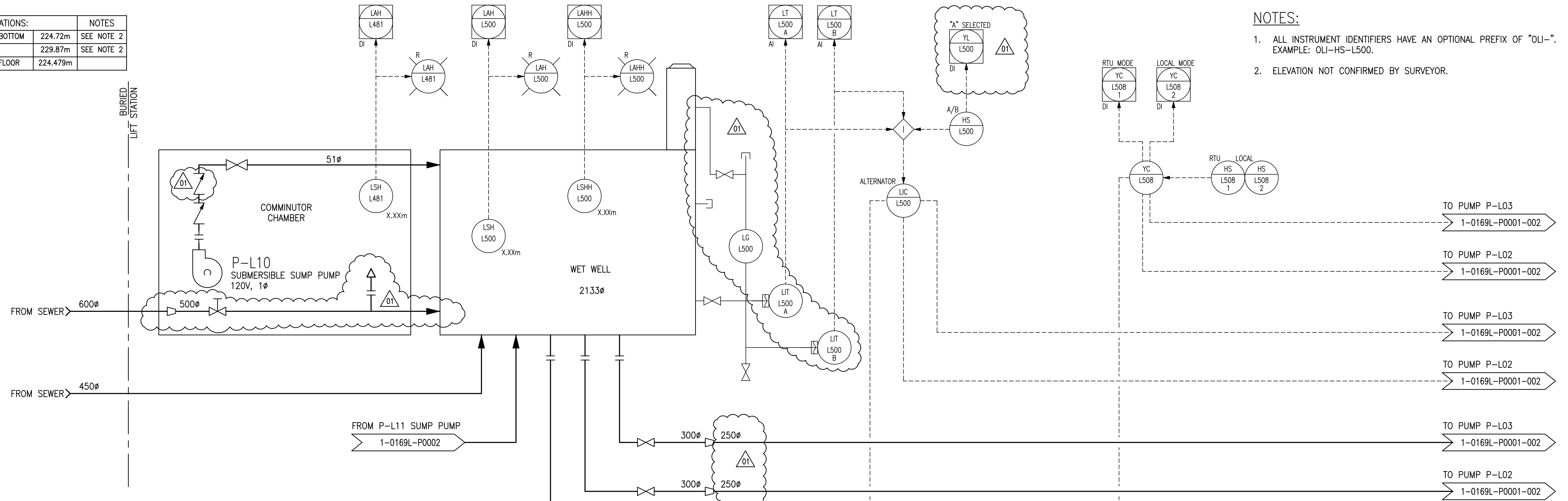


KEY ELEVATIONS:		NOTES
WET WELL BOTTOM	224.72m	SEE NOTE 2
FORCEMAIN	229.87m	SEE NOTE 2
DRY WELL FLOOR	224.479m	

NOTES:

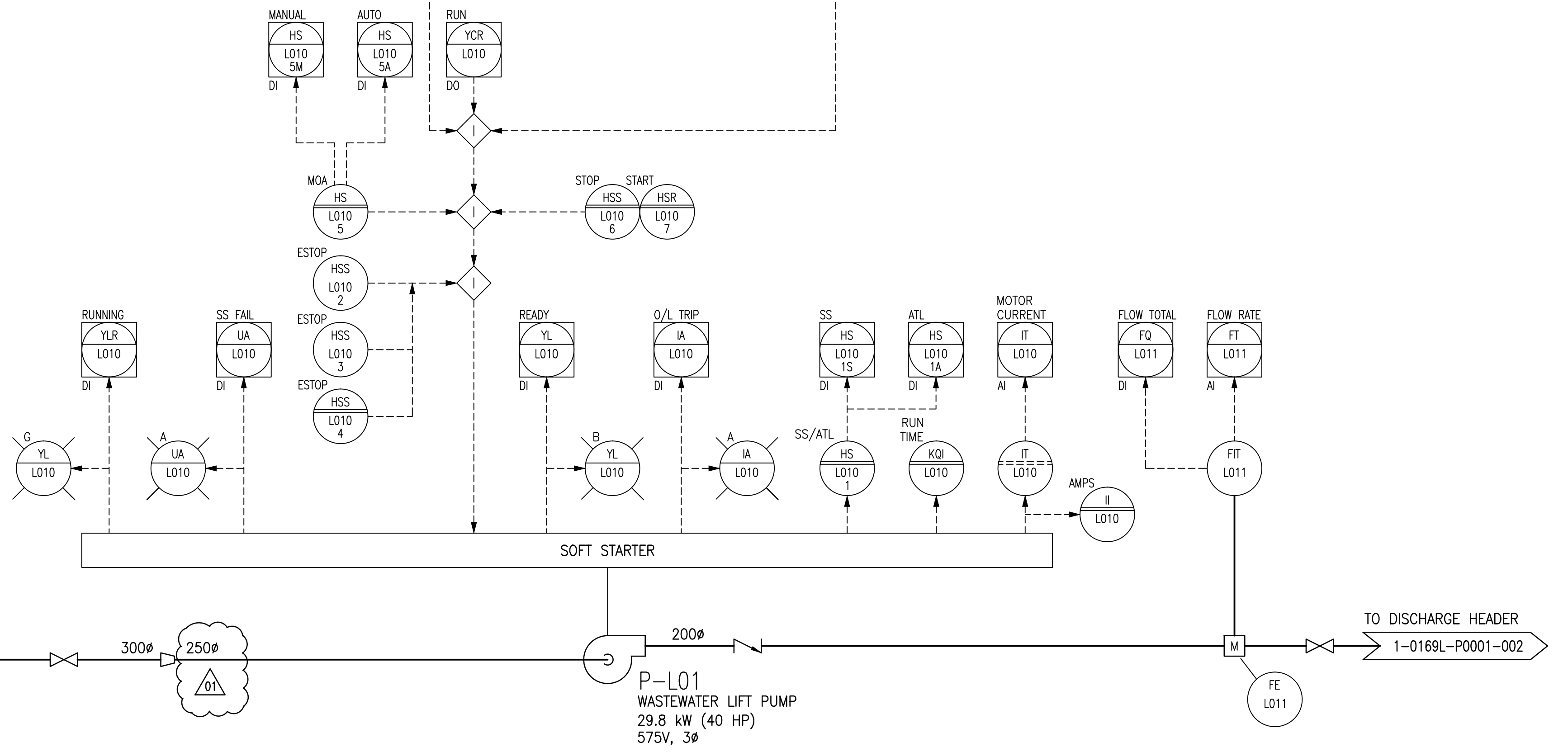
- ALL INSTRUMENT IDENTIFIERS HAVE AN OPTIONAL PREFIX OF "OLI-". EXAMPLE: OLI-HS-L500.
- ELEVATION NOT CONFIRMED BY SURVEYOR.



PUMP CONTROL SETPOINTS		
PUMP	START	STOP
DUTY 1	1.4m (4.59 ft.)	0.41m (1.34 ft.)
DUTY 2	1.5m (4.92 ft.)	0.44m (1.44 ft.)
DUTY 3	1.6m (5.24 ft.)	0.47m (1.54 ft.)

NOTES:

- CITY TO CONFIRM SETPOINTS.



LEGEND:

DEVICE DESCRIPTORS:	FUNCTIONAL IDENTIFIERS:	FUNCTIONAL IDENTIFIERS:
A AMBER	FE FLOW SENSOR	LIT LEVEL INDICATING TRANSMITTER
AI ANALOG INPUT	FIT FLOW INDICATING TRANSMITTER	LSH LEVEL SWITCH HIGH
DI DISCRETE INPUT	HS HAND SWITCH	LT LEVEL TRANSMITTER
G GREEN	IA CURRENT ALARM	UA SOFT START FAIL
MOA MANUAL/OFF/AUTO	II CURRENT INDICATOR	YL READY STATUS
R RED	KQI TOTAL RUN TIME	YCR RUN COMMAND
SS/ATL SOFT START/ACROSS THE LINE	LIC LEVEL INDICATING CONTROLLER	YLR RUNNING STATUS



NO.	REVISIONS	DATE	DESIGN	CHECK
02	REVISED PIPING AND SIGHT GLASS	2015/09/17	BJC	-
01	ISSUED FOR TENDER	2015/09/17	BJC	-
00	ISSUED FOR CITY USE	2012/01/31	-	TMC
00	ISSUED FOR CITY USE	2012/01/31	-	TMC

		SNC-LAVALIN INC. 148 Nature Park Way Winnipeg, MB, Canada R3P 0X7 204-786-8080	
DESIGNED BY:	EXISTING	CHECKED BY:	T. CHURCH
DRAWN BY:	S. FUNK	APPROVED BY:	C. REIMER
SCALE:	NTS	ISSUED FOR CONSTRUCTION	DATE:
DATE:	2011/02/14	BY:	
CONSULTANT NO.:			

ENGINEER'S SEAL

PRELIMINARY

NOT TO BE USED FOR CONSTRUCTION

THE CITY OF WINNIPEG
WATER AND WASTE DEPARTMENT

OLIVE WASTEWATER PUMPING STATION
2015 UPGRADES
PROCESS & INSTRUMENTATION DIAGRAM
WASTEWATER PUMPING

CITY DRAWING NUMBER: 1-0169L-P0001

SHEET: 001 REV: 02 SIZE: A1