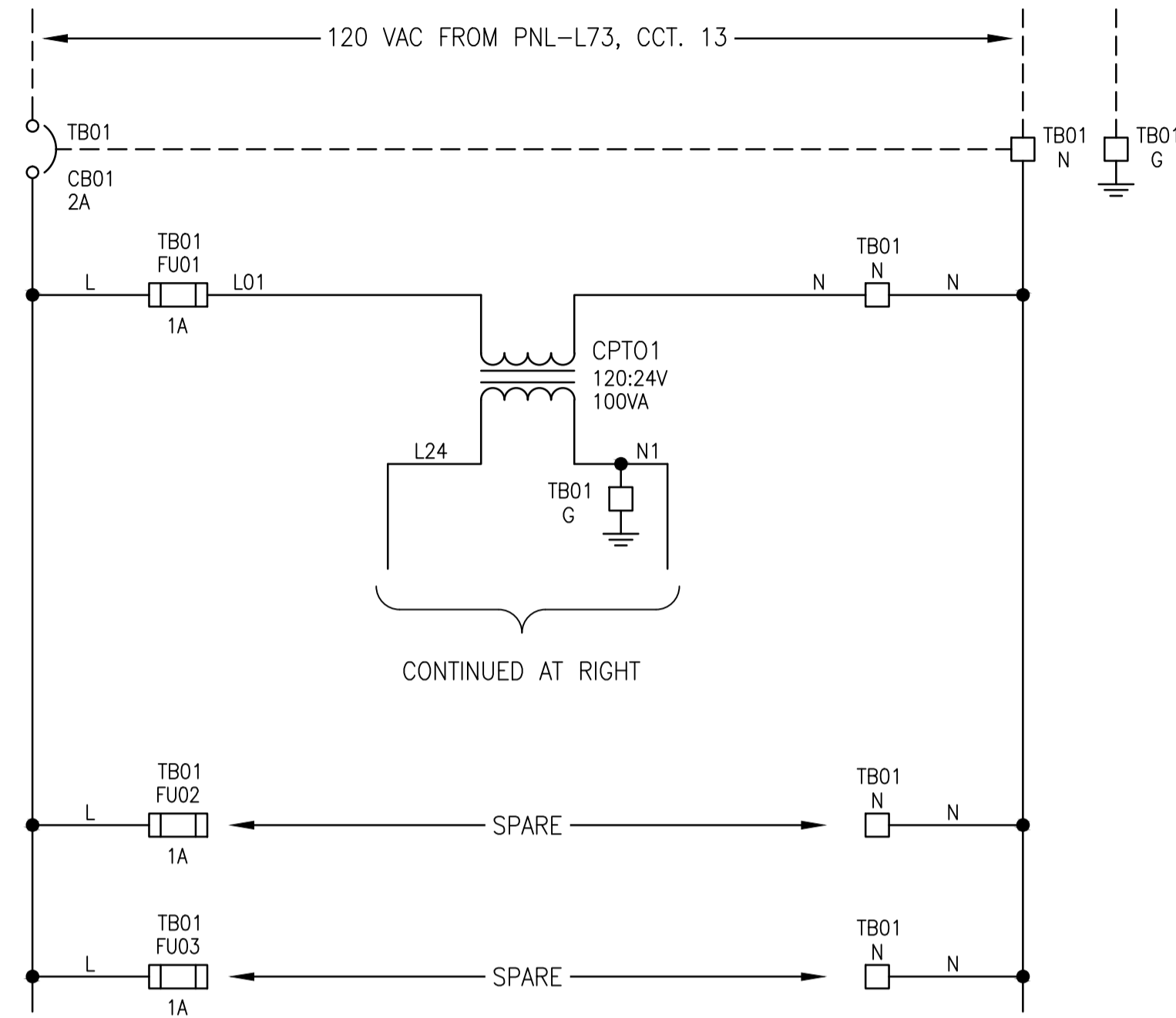
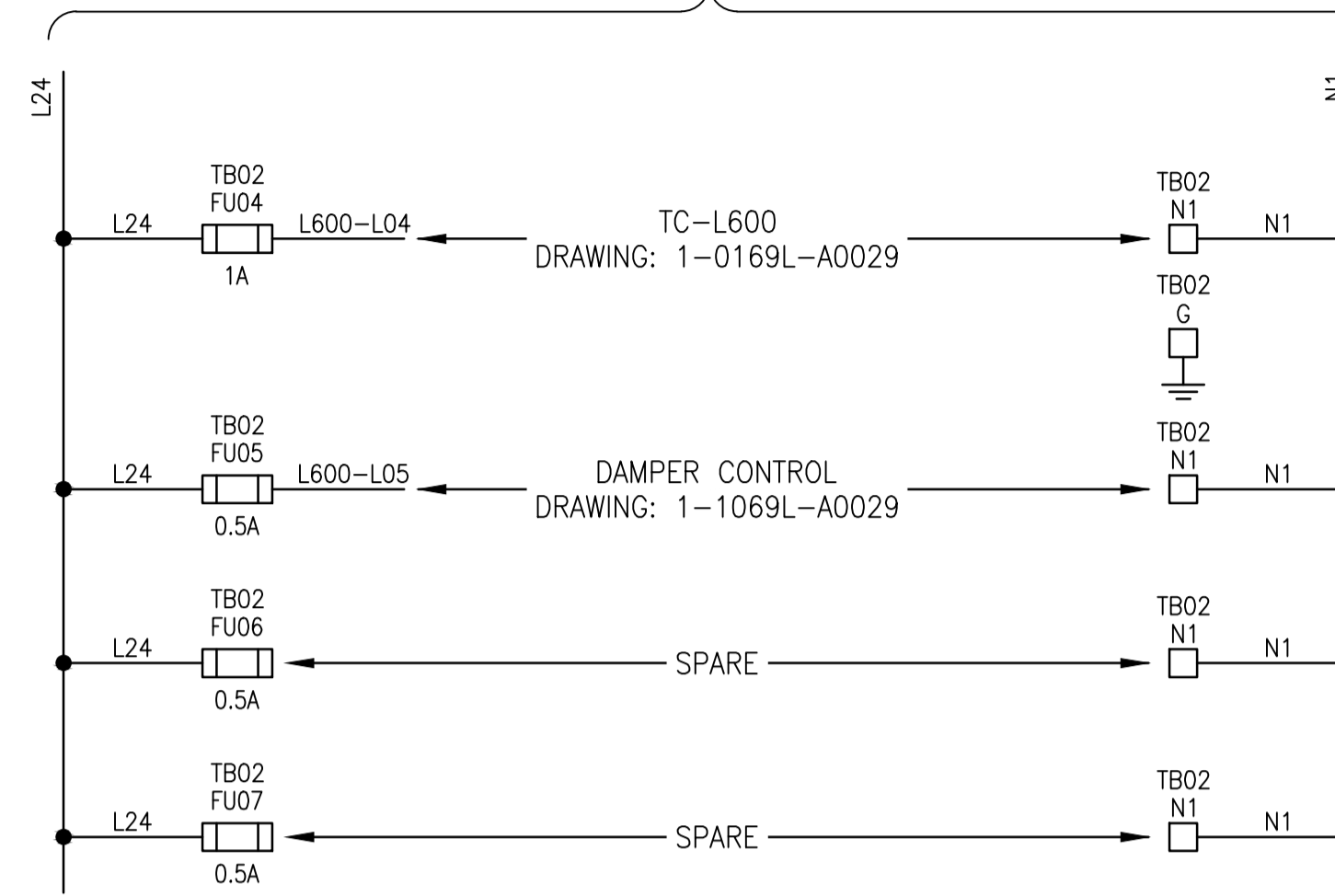


SCHEMATIC:



CONTINUED FROM LEFT



REFER TO DRAWING 1-0169L-A0029 FOR FIELD TERMINALS AND CONNECTIONS

NOTES:

1. ALL 120VAC POWER WIRING TO BE A MINIMUM OF 14 AWG UNLESS OTHERWISE INDICATED.
2. ALL 24VAC POWER WIRING TO BE A MINIMUM OF 12 AWG UNLESS OTHERWISE INDICATED.



NO.	REVISIONS	DATE	DESIGN	CHECK
00	ISSUED FOR TENDER	2015/09/29	BJC	-

SNC-LAVALIN INC. 148 Nature Park Way Winnipeg, MB, Canada R3P 0X7 204-786-8080	
DESIGNED BY: B. CLEVEN	CHECKED BY:
DRAWN BY: Y. KONIG	APPROVED BY:
SCALE: NTS	ISSUED FOR CONSTRUCTION BY:
DATE: 2015/09/16	DATE:
CONSULTANT NO.:	

ENGINEER'S SEAL

PRELIMINARY

NOT TO BE USED FOR CONSTRUCTION

THE CITY OF WINNIPEG
 WATER AND WASTE DEPARTMENT

OLIVE WASTEWATER PUMPING STATION
 2015 UPGRADES
 POWER DISTRIBUTION
 VENTILATION TERMINATION PANEL JB-L83

CITY DRAWING NUMBER	SHEET	REV.	SIZE
1-0169L-A0028	001	00	A1

1-0169L-A0029	VENTILATION PANEL CONNECTION DIAGRAM
1-0169L-A0027	VENTILATION PANEL LAYOUT
DRAWING NUMBER	REFERENCE DRAWINGS