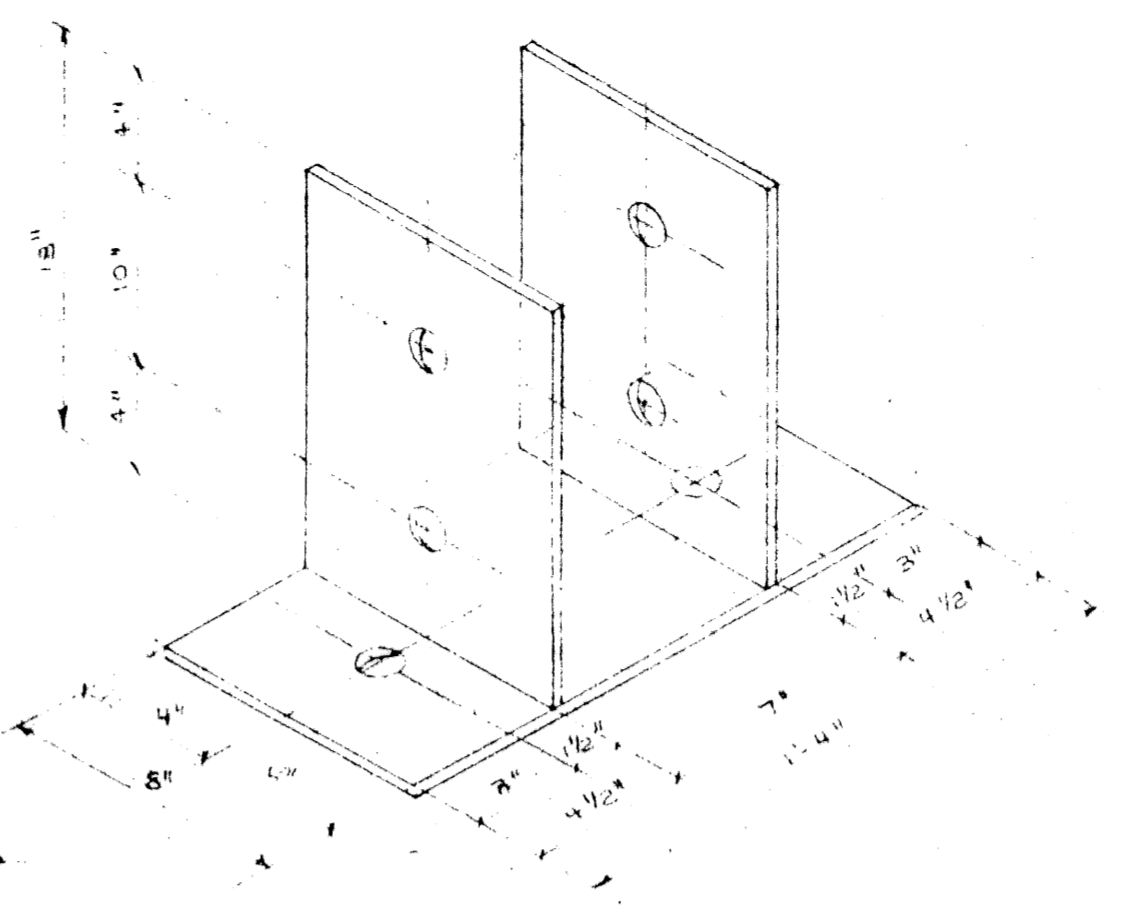
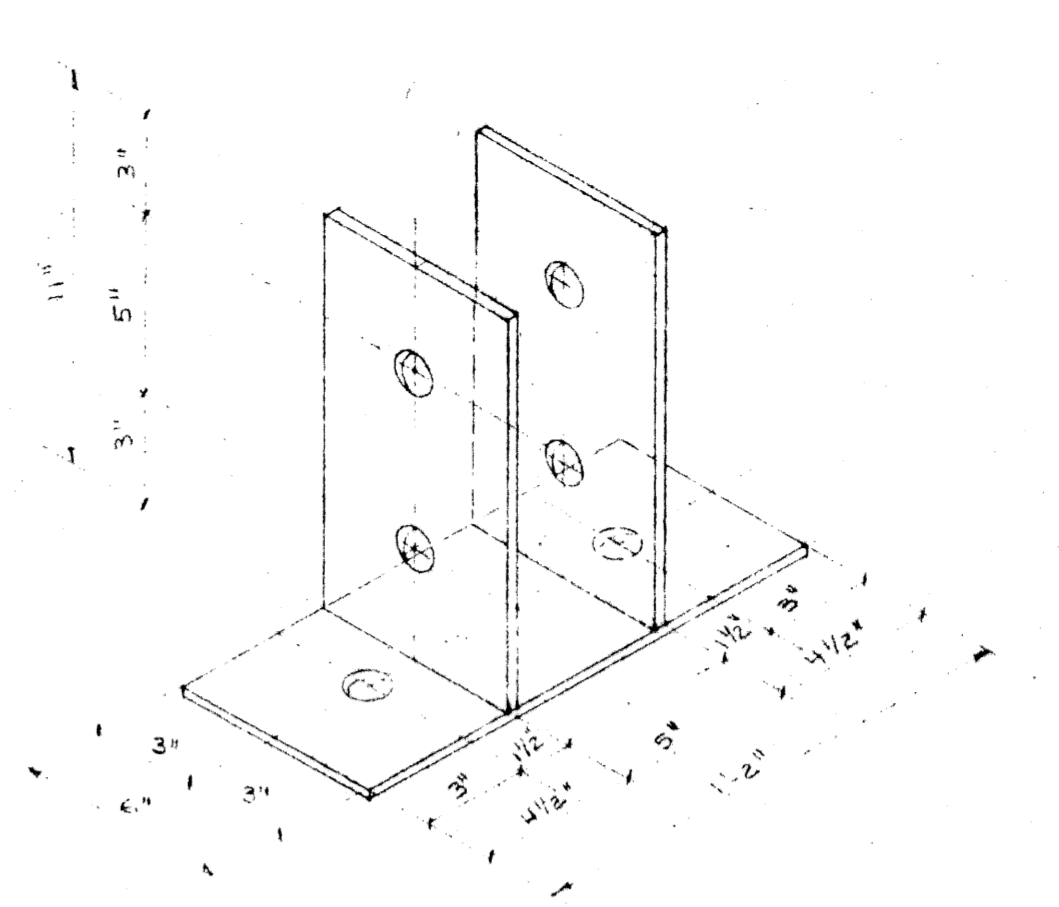


DETAIL TYPE "A" LINTEL
SCALE 1/2" = 1'-0"

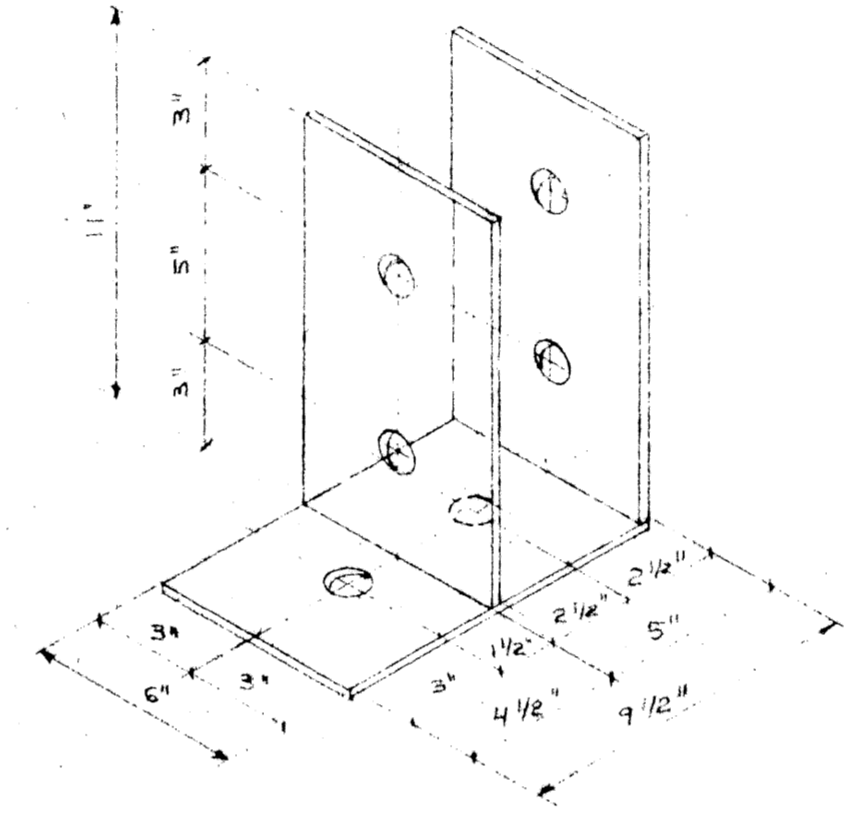
ROOF FRAMING PLAN
SCALE 1/8" = 1'-0"



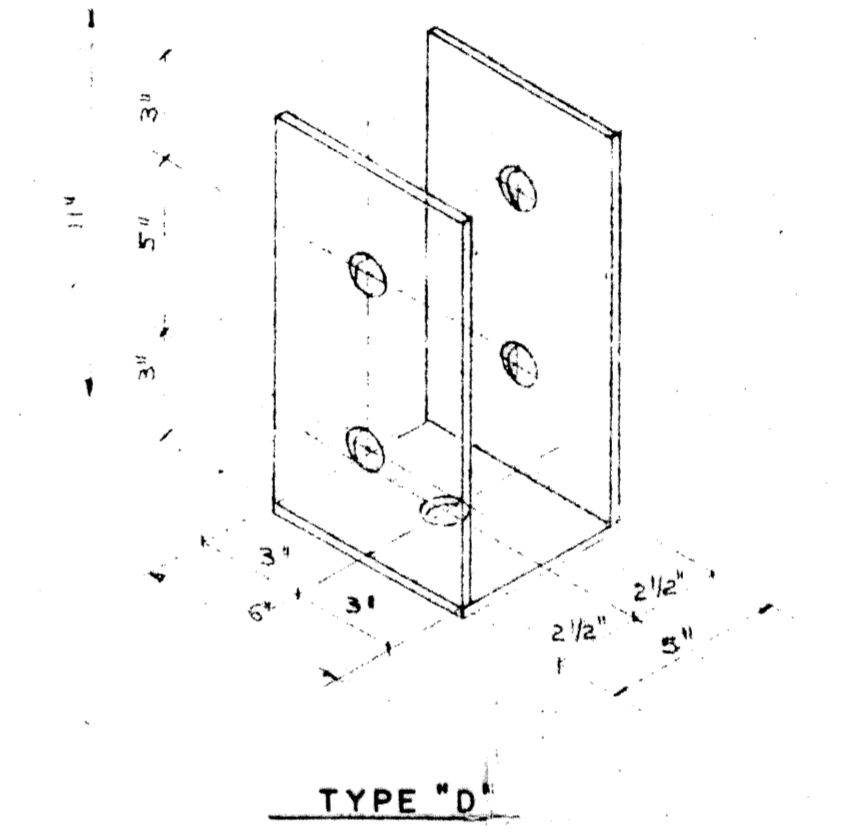
TYPE "A"



TYPE "B"



TYPE "C" & "C"



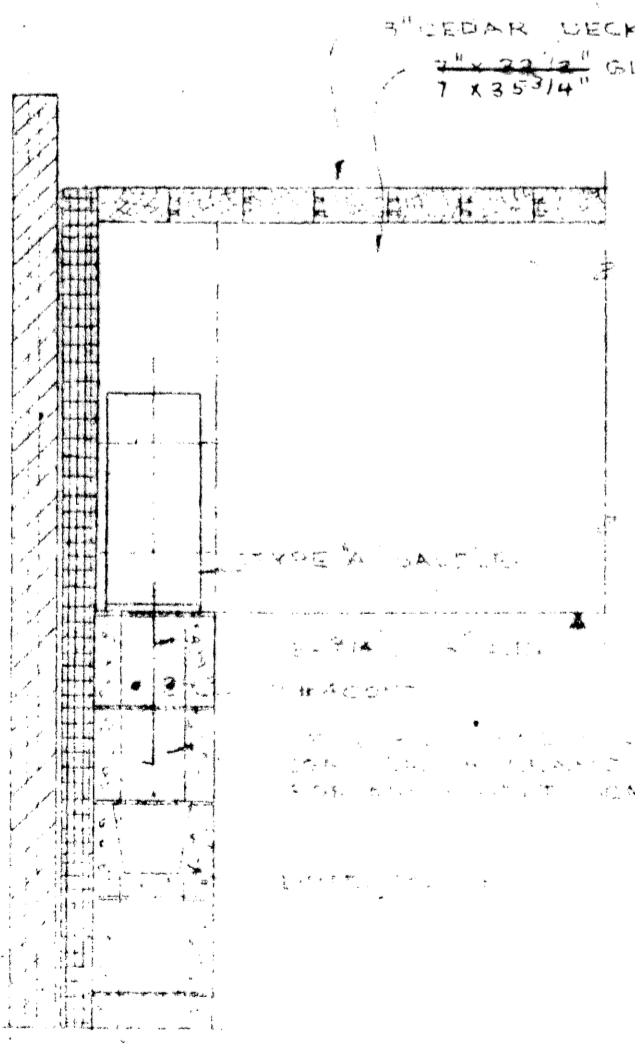
TYPE "D"

NOTES:
1. TYPE "C" SIMILAR TO ABOVE BUT OMIT GENTLE HOLE.
SADDLES FOR GLU-LAM BEAMS (N.T.S.)

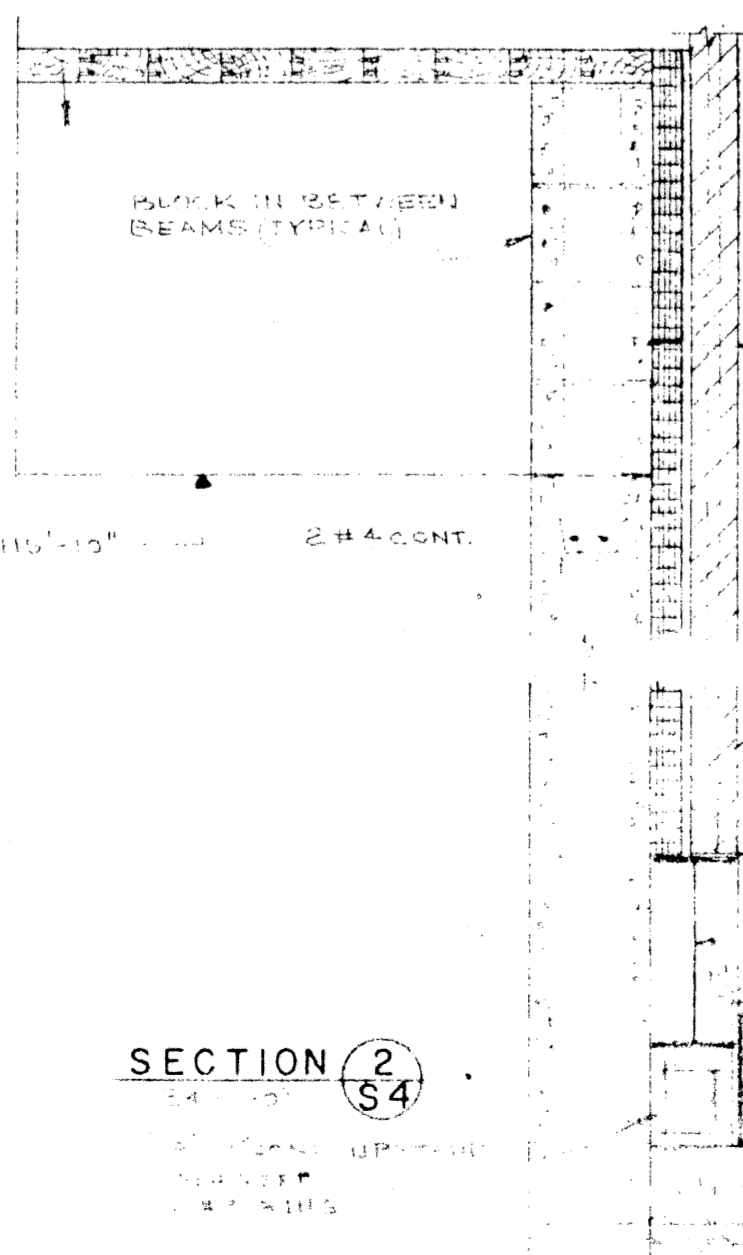
NOTES:
1. ALL BEAMS TO BE DAPPED TO FIT SADDLES.
2. ALL GIRD PLATES FOR SADDLES TO BE 3/16" THICK.
3. ALL WELDING TO BE AS SHOWN.
4. ALL ANGLES TO BE 3" X 3" X 1/4" (N.T.S.).
5. ALL ANGLES TO BE 3" X 3" X 1/4" (N.T.S.).

GENERAL NOTES:

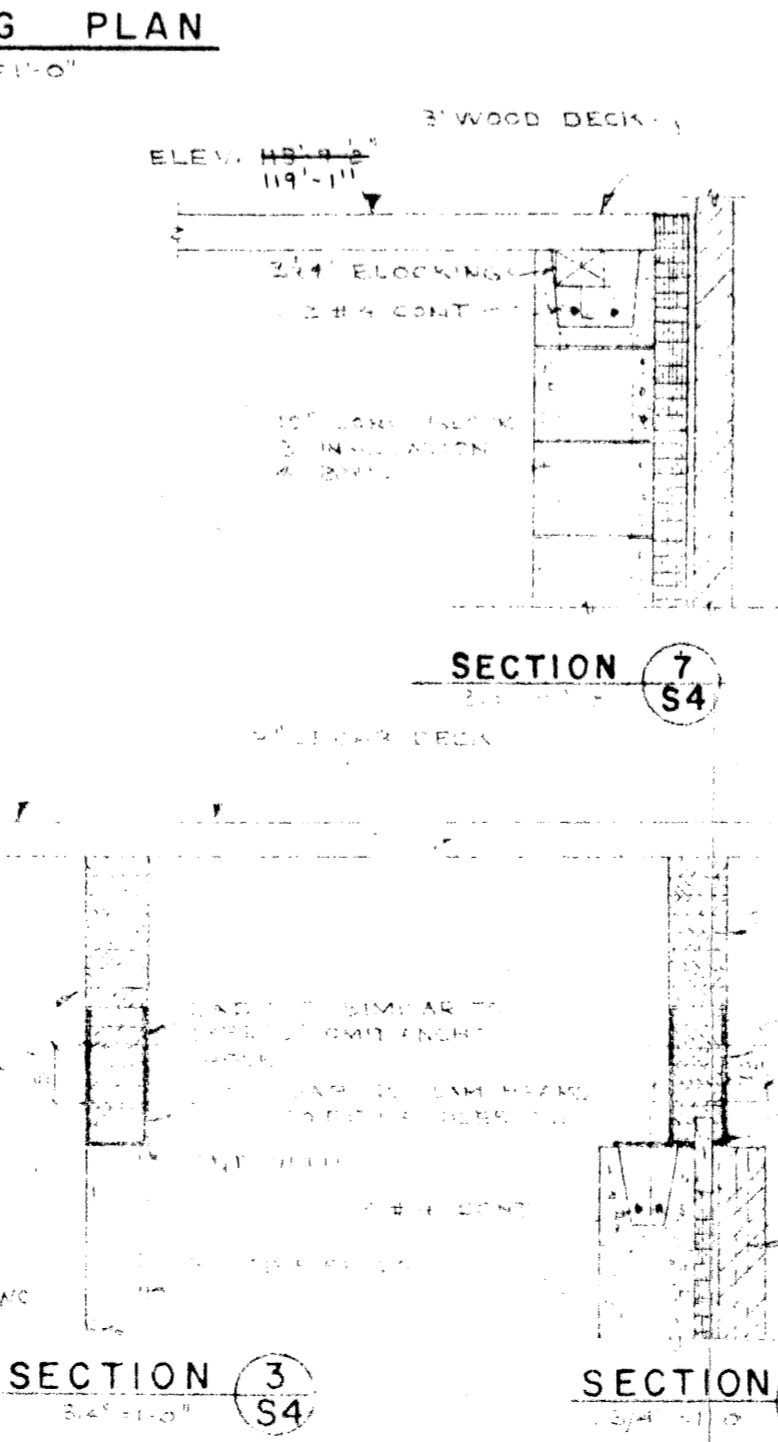
1. ALL ROOF DECK MATERIAL SHALL BE "SELECT" HEAVY WALL AND ROOF PLANK 1" THICK BY 6" WIDE, DOUBLE TONGUED AND GROOVED VEE JOINT FACE SIDE, WESTERN RED CEDAR, PREDRILLED FOR SPIKING AT 33" O.C. WOOD DECK SHALL BE APPLIED IN RANDOM OR MULTIPLE SPAN METHOD.
2. GLUE-LAMINATED TIMBER BEAMS SHALL BE DOUGLAS FIR, AS CLASSIFIED IN LATEST EDITION OF C.S.A. SPECIFICATION 086-1967. ALL BEAMS SHALL BE EXTERIOR SERVICE GRADE, 24F, PAINT APPEARANCE GRADE.
3. STEEL FOR CONNECTORS SHALL CONFORM TO A.S.T.M. SPEC. A307 OR A.S.T.M. SPEC. A36. ALL WELDS SHALL BE GROUND SMOOTH AND THE FINISHED SURFACE SHALL BE LEFT SMOOTH AND LEVEL WITH SIDE PLATES.



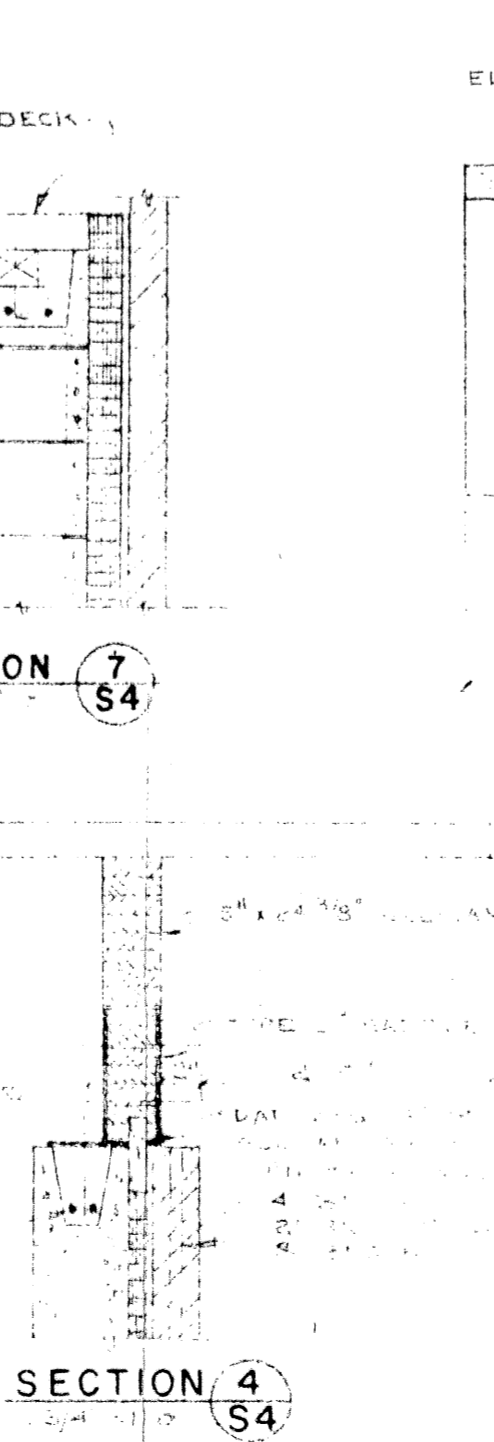
SECTION 1 S4



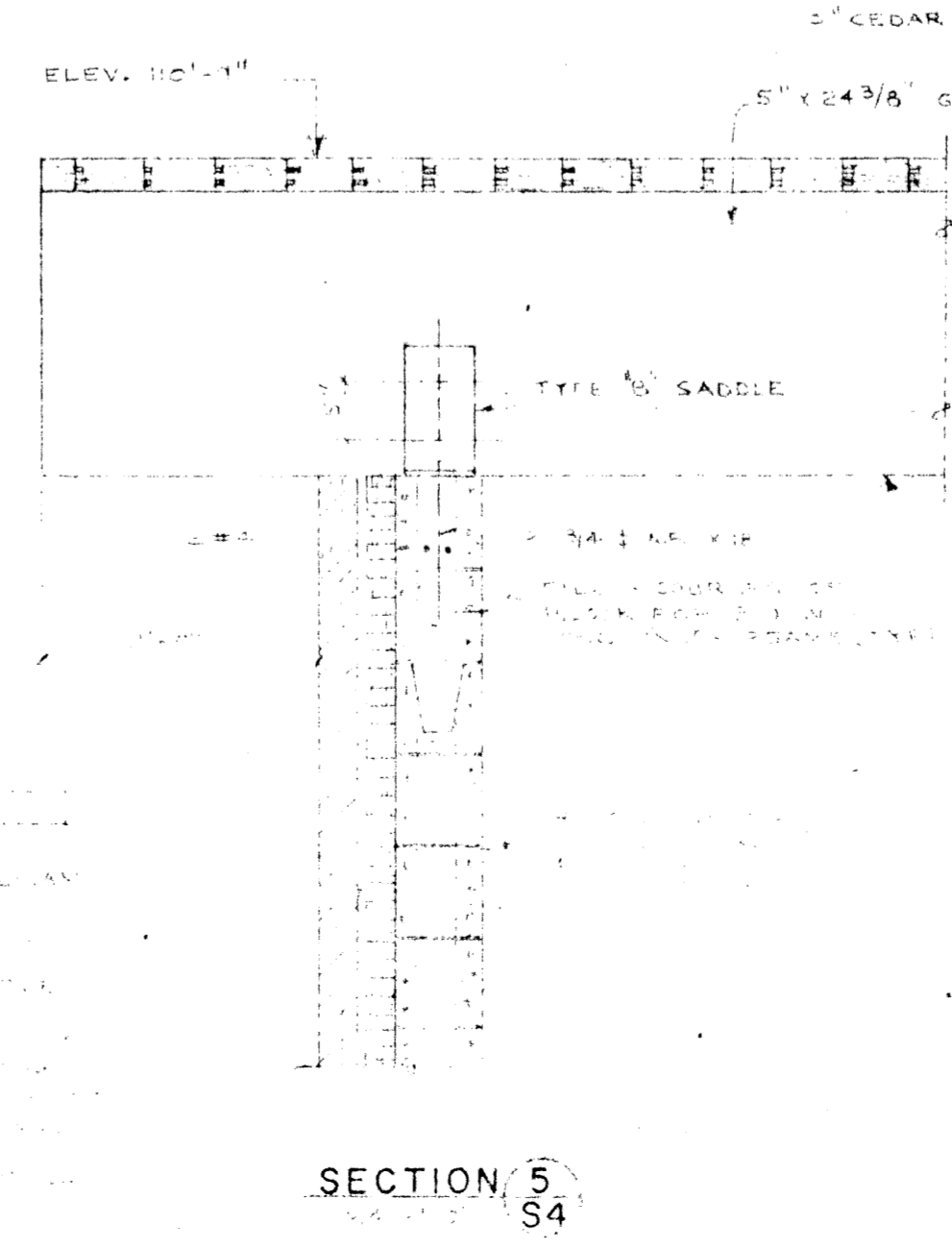
SECTION 2 S4



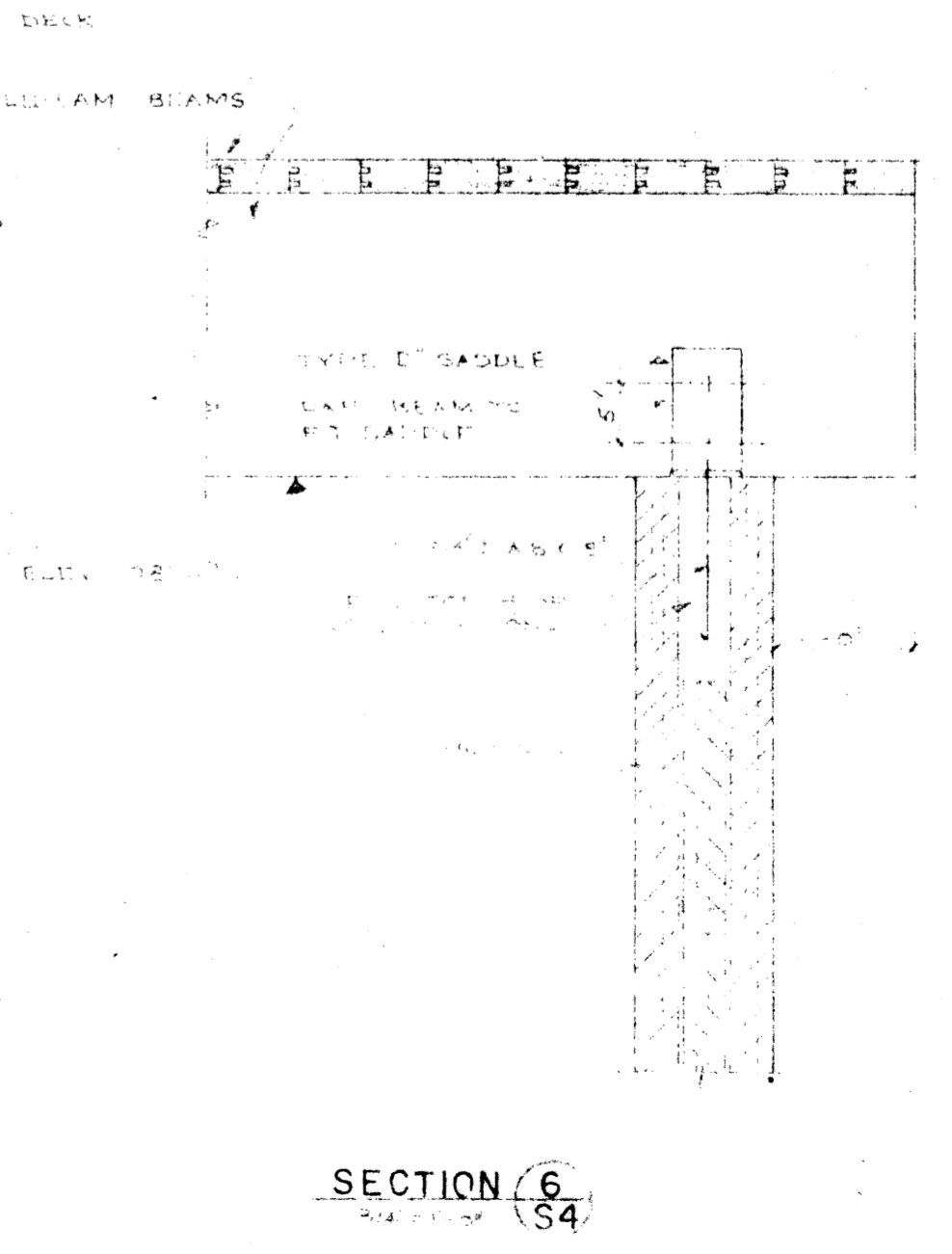
SECTION 3 S4



SECTION 4 S4

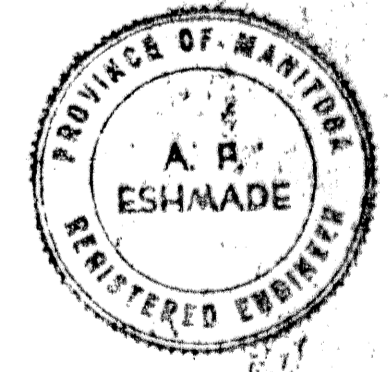


SECTION 5 S4



SECTION 6 S4

GENERAL REVISION FOR ADDITION		11/67	RFC
NO.	DESCRIPTION	DATE	DWN. CKD.
REVISIONS			
B-14 FILE			
RETURN TO CIVIC PROPERTIES BUILDING INVENTORY.			
3	02	4	



APPROVED BY: *[Signature]* DATE: 12/1/67

TRANSCONA SWIMMING POOL BUILDING

STRUCTURAL ROOF PLAN & DETAILS

DWIGHT R. JOHNSTON M.R.A.I.C.
ARCHITECT
1854 PORTAGE AVE. ST. JAMES MANITOBA

UNDERWOOD McLELLAN & ASSOCIATES
LIMITED

CONSULTING PROFESSIONAL ENGINEERS

MANITOBA SASKATCHEWAN ALBERTA BRITISH COLUMBIA

DRAWN BY: R.C.	DESIGNED BY: R.T.C.
CHECKED BY:	CHECKED BY:
DATE DRAWN: 31st MARCH 1967	SCALE: AS SHOWN
JOB NO: 23-723-02	DRAWING NO:

SHEET 12 of 16

S.4A