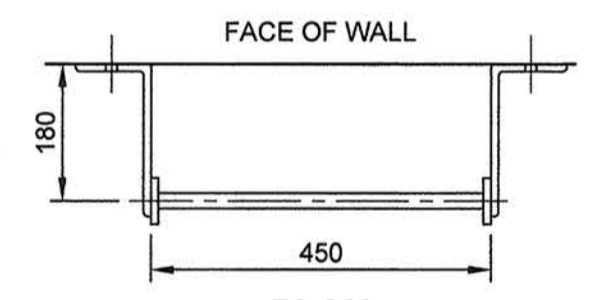
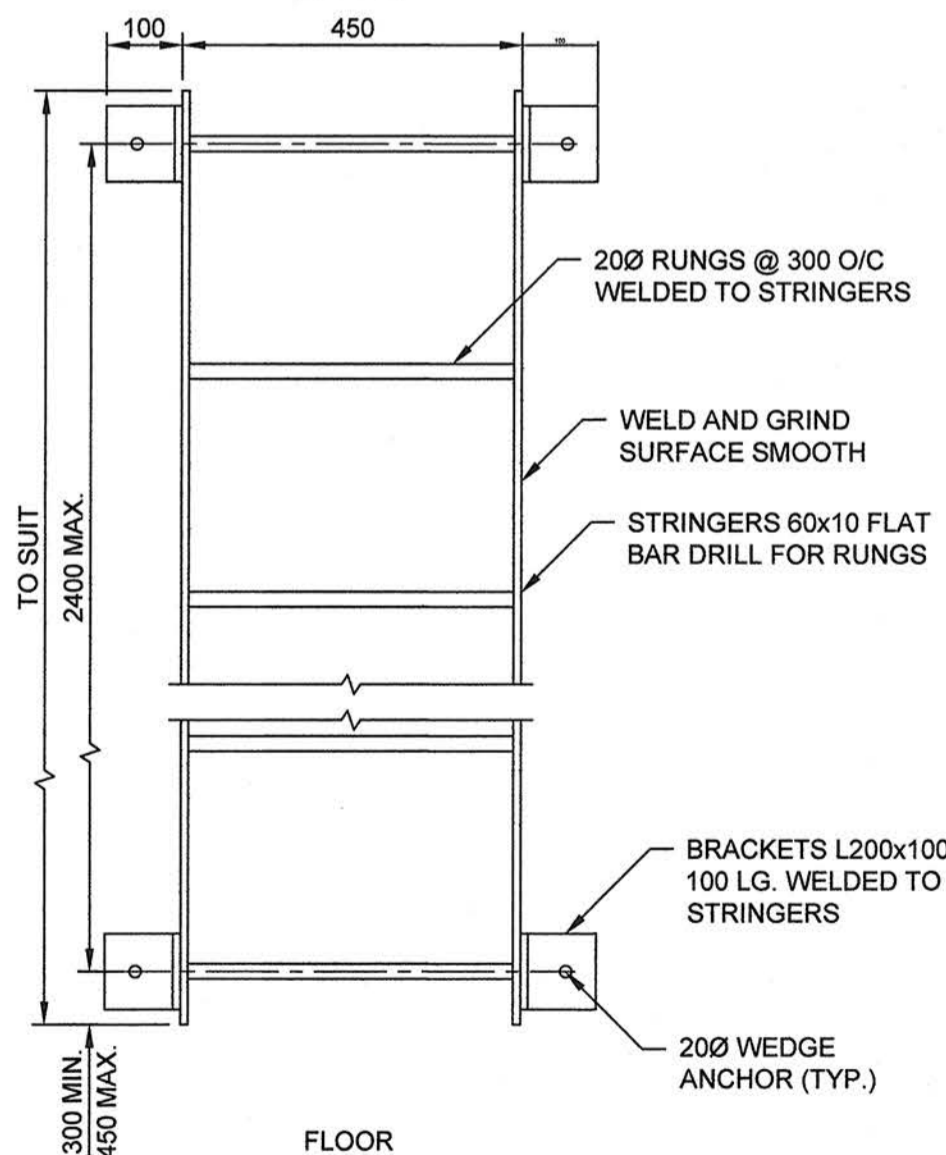


A SECTION
 LD-7422
 0 1000 2000 mm
 1:40

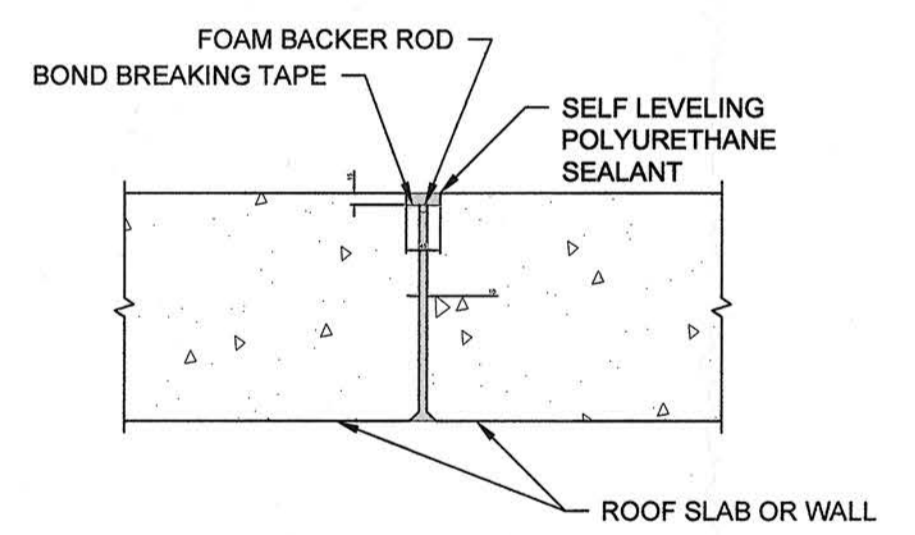


PLAN

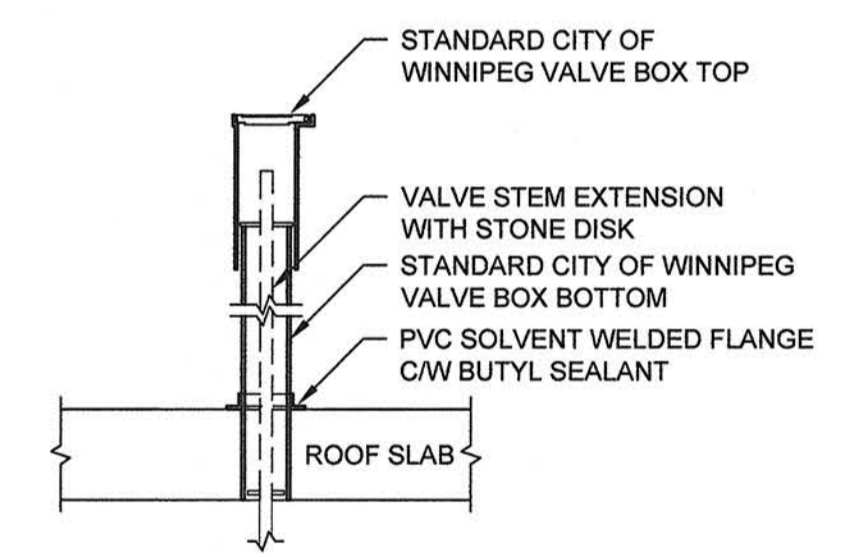


ELEVATION

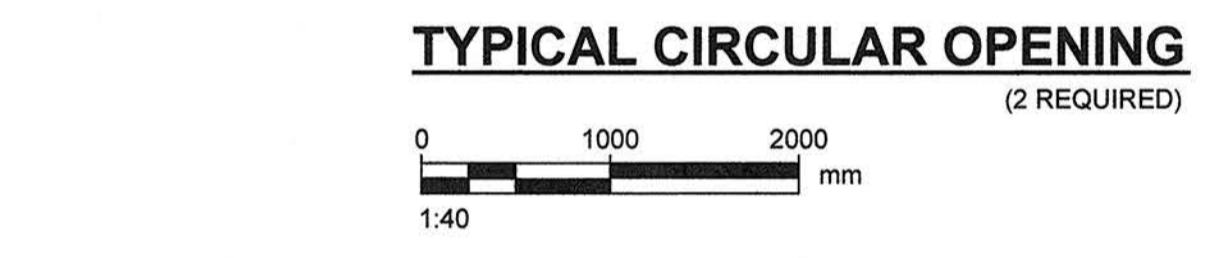
5 DETAIL
 LD-7421 ALUMINUM LADDER
 0 250 500 mm
 1:10



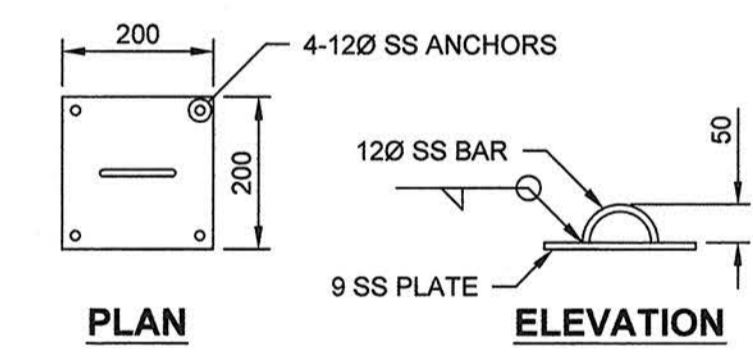
1 DETAIL
 LD-7421
 0 250 500 mm
 1:10



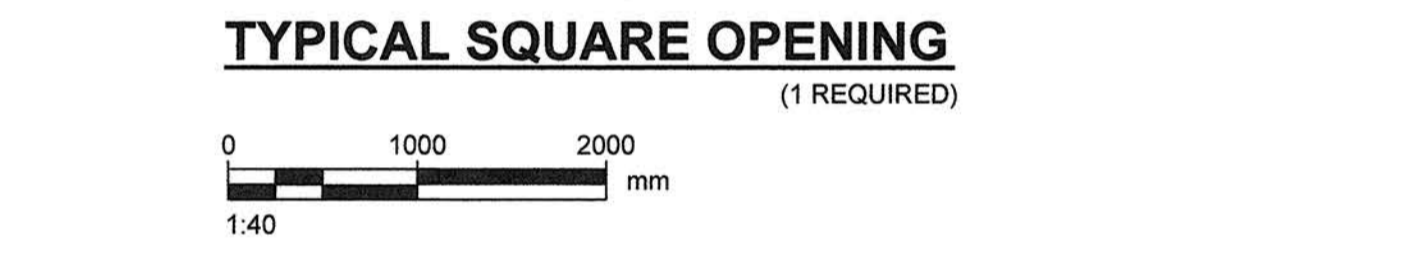
2 DETAIL
 LD-7421 VALVE BOX ASSEMBLY
 0 625 1250 mm
 1:25



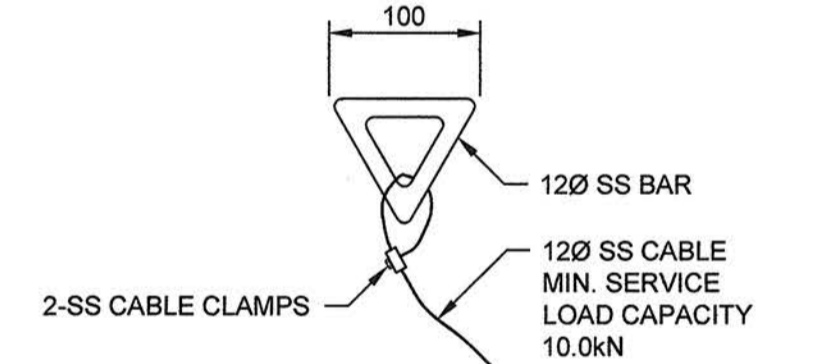
TYPICAL CIRCULAR OPENING
 (2 REQUIRED)
 0 1000 2000 mm
 1:40



3 DETAIL
 LD-7421 LIFTING CABLE GUIDE
 0 250 500 mm
 1:10



TYPICAL SQUARE OPENING
 (1 REQUIRED)
 0 1000 2000 mm
 1:40



4 DETAIL
 LD-7421 LIFTING RING CABLE
 0 125 250 mm
 1:5

METRIC
 WHOLE NUMBERS INDICATE MILLIMETRES
 DECIMALIZED NUMBERS INDICATE METRES

AECM
 Certificate of Authorization
 AECOM Canada Ltd.
 No. 4671 Date: 2014/12/03

LOCATION APPROVED
 UNDERGROUND STRUCTURES

SUPR. U/G STRUCTURES COMMITTEE DATE

NOTE:
 LOCATION OF UNDERGROUND STRUCTURES AS SHOWN ARE BASED ON THE BEST INFORMATION AVAILABLE. BUT NO GUARANTEE IS GIVEN THAT ALL EXISTING UTILITIES ARE SHOWN OR THAT THE GIVEN LOCATIONS ARE EXACT. CONFIRMATION OF EXISTENCE AND EXACT LOCATION OF ALL SERVICES MUST BE OBTAINED FROM THE INDIVIDUAL UTILITIES BEFORE PROCEEDING WITH CONSTRUCTION.

NO.	REVISIONS	YY/MM/DD	BY
1	ISSUED FOR ADDENDUM 2	14/12/03	KMB
0	ISSUED FOR TENDER	14/11/12	WJD

DESIGNED BY	JAT	CHECKED BY	[Signature]
DRAWN BY	ADL	APPROVED BY	[Signature]
HOR. SCALE	1:250	RELEASED FOR CONSTRUCTION	
VERT. SCALE	1:50	DATE	

AECOM

PROFESSIONAL'S SEAL
 PROVINCE OF MANITOBA
 S.B. BISWANGER
 REGISTERED PROFESSIONAL ENGINEER
 2014/12/03

CONSULTANT DRAWING NO.
 60219315-SHT-00-Com4-S-4003

THE CITY OF WINNIPEG
 WATER AND WASTE DEPARTMENT

JEFFERSON EAST
COMBINED SEWER RELIEF
CONTRACT 4 - SAMPLE OUTFALL
GATE CHAMBER
 STRUCTURAL REINFORCING DETAILS 2

SHEET 07 OF 07
 CITY DRAWING NUMBER
LD-7423 REV 1

BID OPPORTUNITY NO. 1062-2014