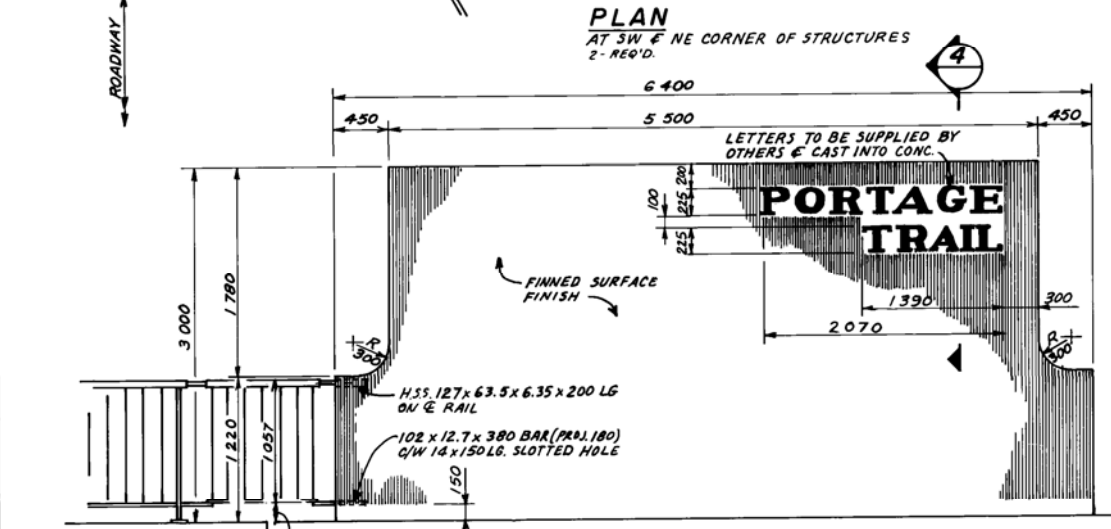
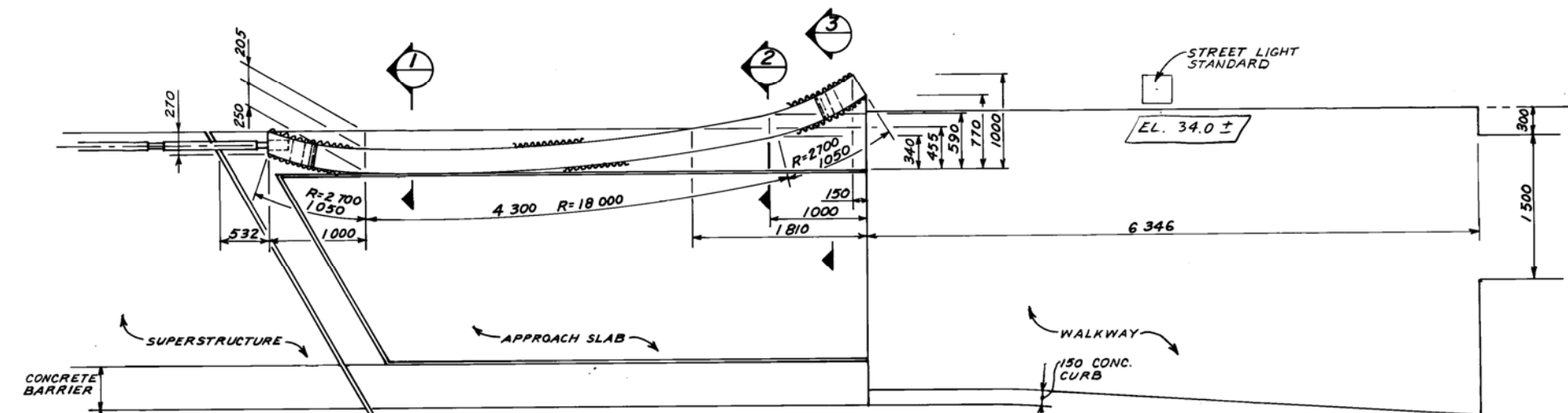
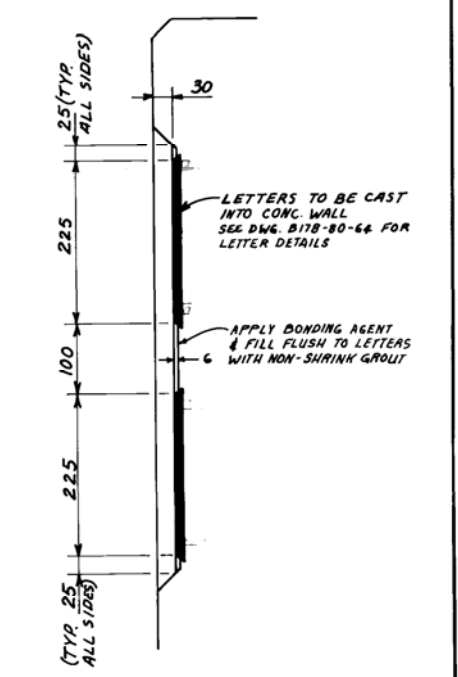
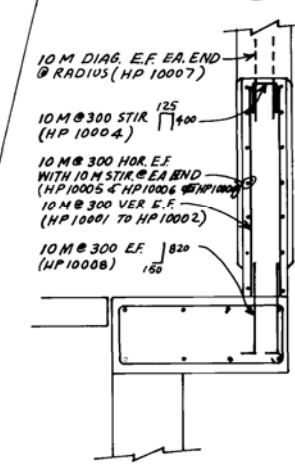
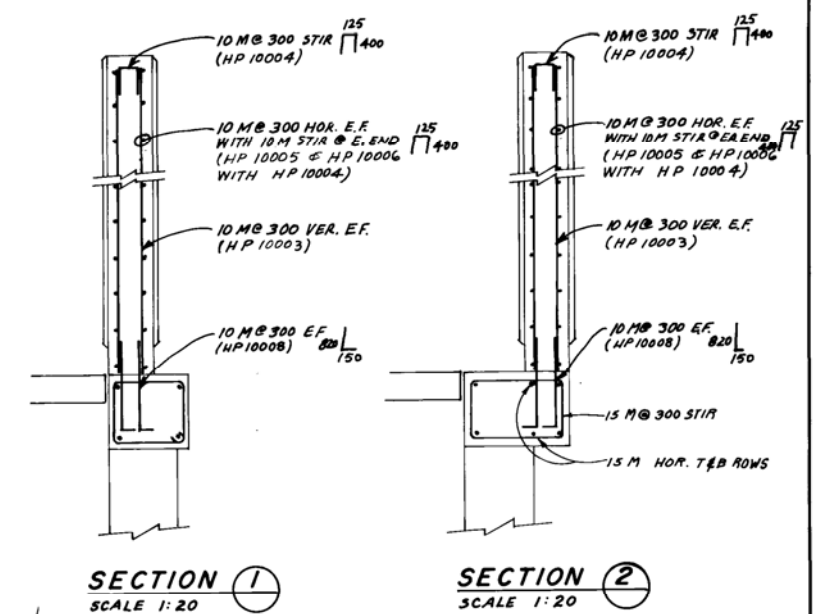


HISTORICAL PANELS																			
MARK	NO. BARS	SIZE	LENGTH	TYPE	A	B	C	D	E	F	G	H	I	J	K	R	SHAPE	WEIGHT	
PANEL																			
HP 10001	4	10M	1170	ST													—	5.67	
HP 10002	4	10M	1245	ST													—	3.91	
HP 10003	36	10M	2350	ST													—	83.37	
HP 10004	42	10M	325	17		400	125	400									—	30.50	
HP 10005	8	10M	6300	ST	(TO BE OBTAINED ON SITE)														39.54
HP 10006	14	10M	5400	ST	(TO BE OBTAINED ON SITE)														53.35
HP 10007	4	10M	1270	ST													—	3.39	
																	ONE PANEL	224.35 kg	
																	TWO PANELS	448.70 kg	
WINGWALL																			
HP 15001	1	15M	1740	T2	140	410	320	410	320	140							□	2.73	
HP 15002	1	15M	1840	T2	140	470	320	470	320	140							□	2.92	
HP 15003	1	15M	2060	T2	140	570	320	570	320	140							□	3.23	
HP 15004	2	15M	2340	T2	140	710	320	710	320	140							□	7.35	
HP 15005	1	15M	2680	T2	140	880	320	880	320	140							□	8.81	
HP 10008	46	10M	970	17		150	820										—	35.03	
HP 10009	4	10M	1600	ST													—	5.02	
																	ONE W.W.	60.49	
																	TWO W.W.	120.98	



NO. REVISIONS DATE APP	ENGINEER'S SEAL			DESIGNED BY	DRAWN BY		THE CITY OF WINNIPEG WORKS & OPERATIONS DEPARTMENT	STURGEON CREEK BRIDGE ON PORTAGE AVENUE	
				CHECKED BY	DATE			HISTORICAL PANEL	
				APPROVED BY	DATE			SCALE 1:30 OR AS SHOWN	DRAWING NO. B178-80-63
				RELEASED FOR CONSTRUCTION DATE					