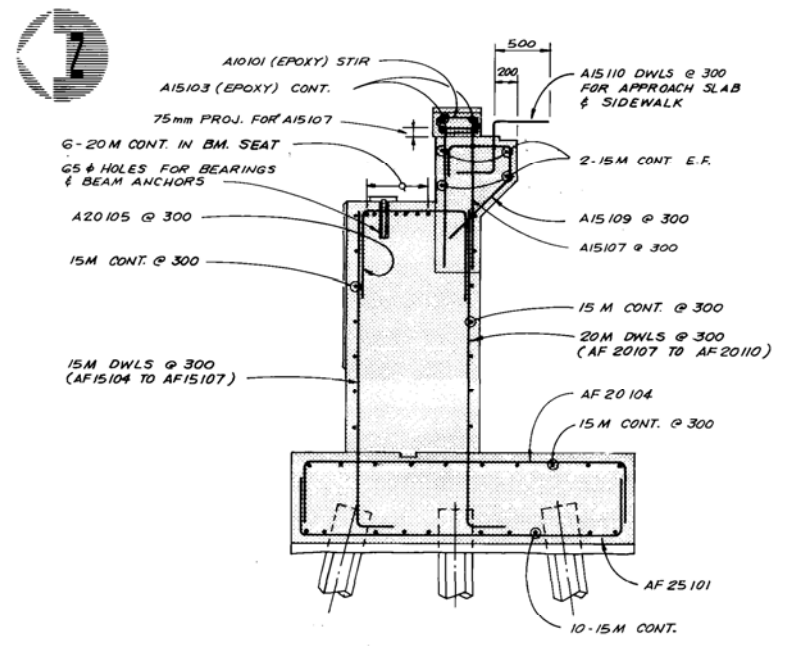


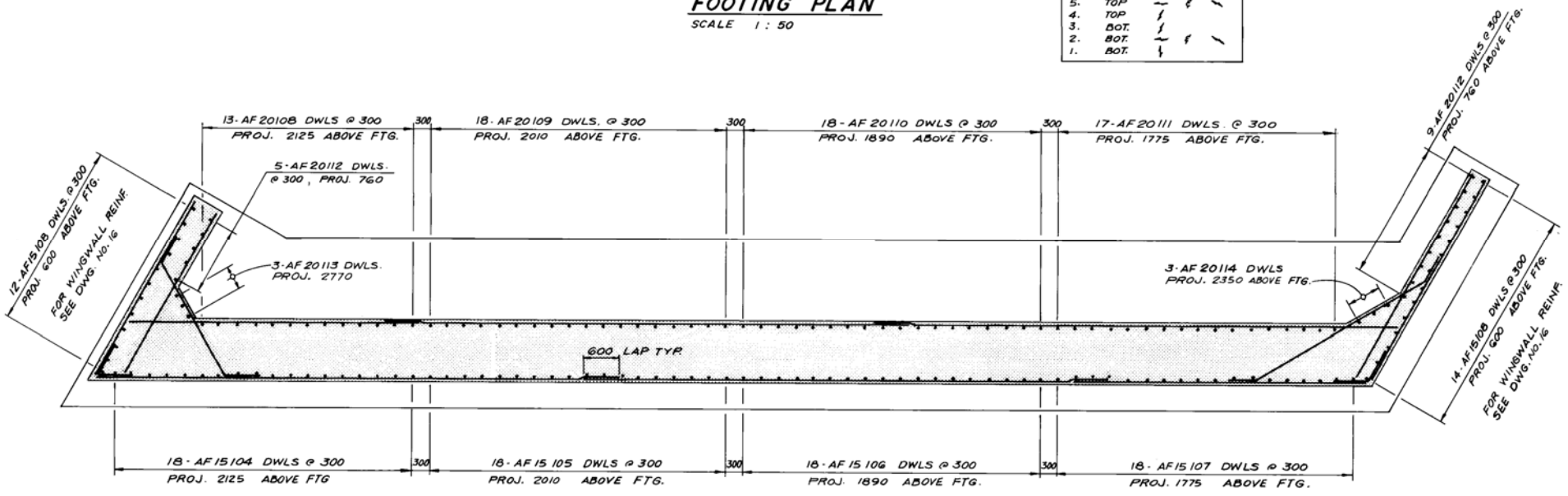
FOOTING PLAN
SCALE 1:50

BAR PLACING ORDER

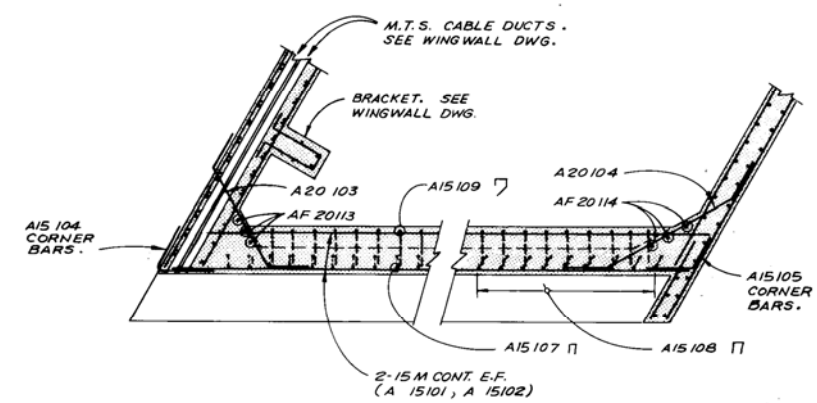
6.	TOP	1
5.	TOP	1
4.	TOP	1
3.	BOT.	1
2.	BOT.	1
1.	BOT.	1



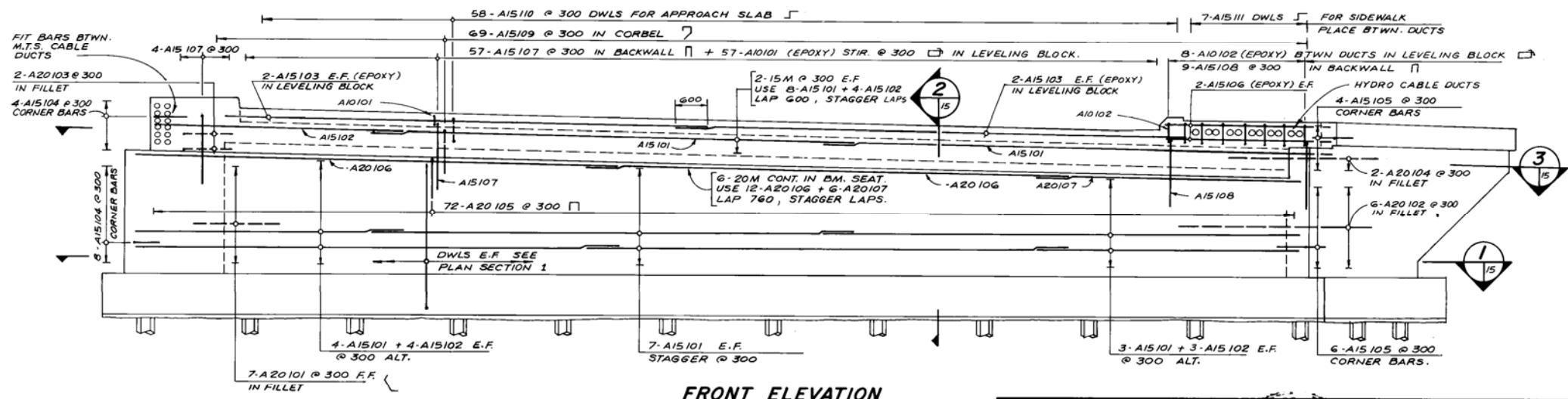
SECTION 2
SCALE 1:30



PLAN SECTION 1
SCALE 1:50



PARTIAL PLAN SECTION 3
SCALE 1:50



FRONT ELEVATION
SCALE 1:50

AS BUILT
APPROVED BY: *[Signature]*

NOTE
REBAR LABELLED "(EPOXY)" SHALL BE EPOXY COATED.

NO.	REVISIONS	DATE	APP.

23/9/80
CID
23/9/80
U.S.D.

Consulting Engineers & Planners
DILLON

DESIGNED BY: N.B.U. DRAWN BY: W.P.S.
CHECKED BY: L.D.M. DATE: 80-08-25
APPROVED BY: *[Signature]* DATE: 23/9/80

THE CITY OF WINNIPEG
WORKS & OPERATIONS
STREETS & TRANSPORTATION

B-5401
STURGEON CREEK BRIDGE ON PORTAGE AVENUE
SOUTH STRUCTURE EAST ABUTMENT SU-4 REINFORCEMENT

AUTHORIZED BY: *[Signature]* DATE: 15-10-24
ACCEPTED BY: *[Signature]* DATE: 10-10-21
SCALE: AS NOTED DRAWING NO: B178-80-15