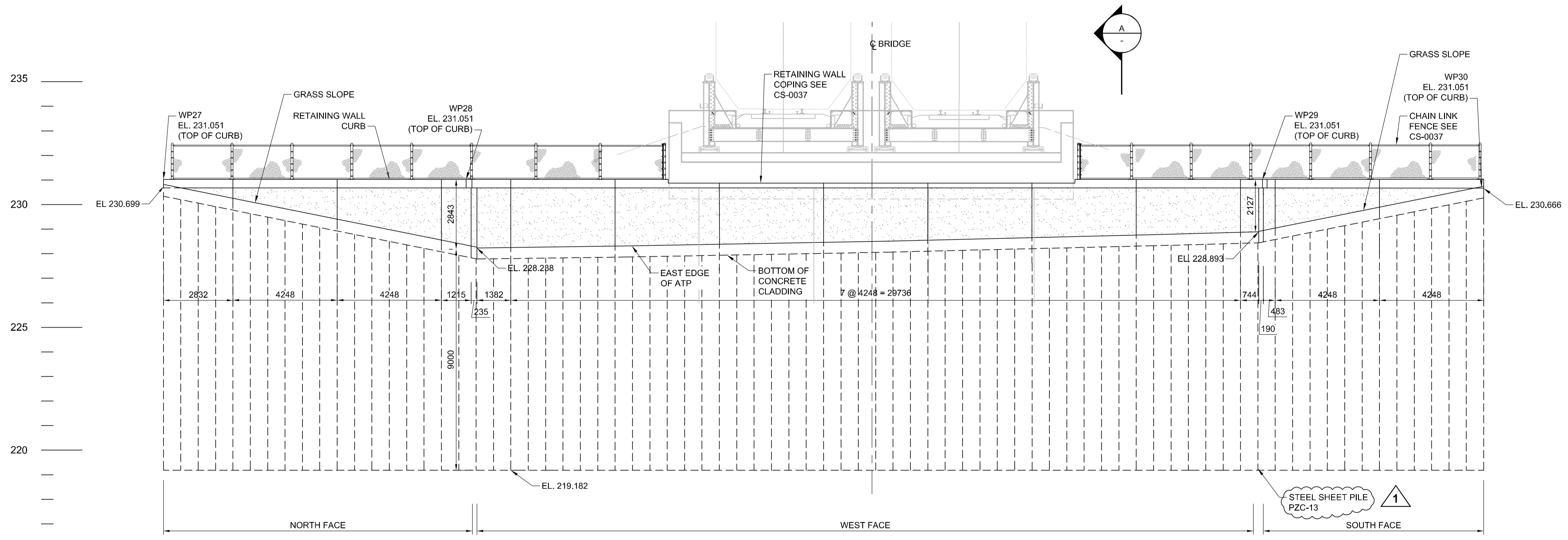
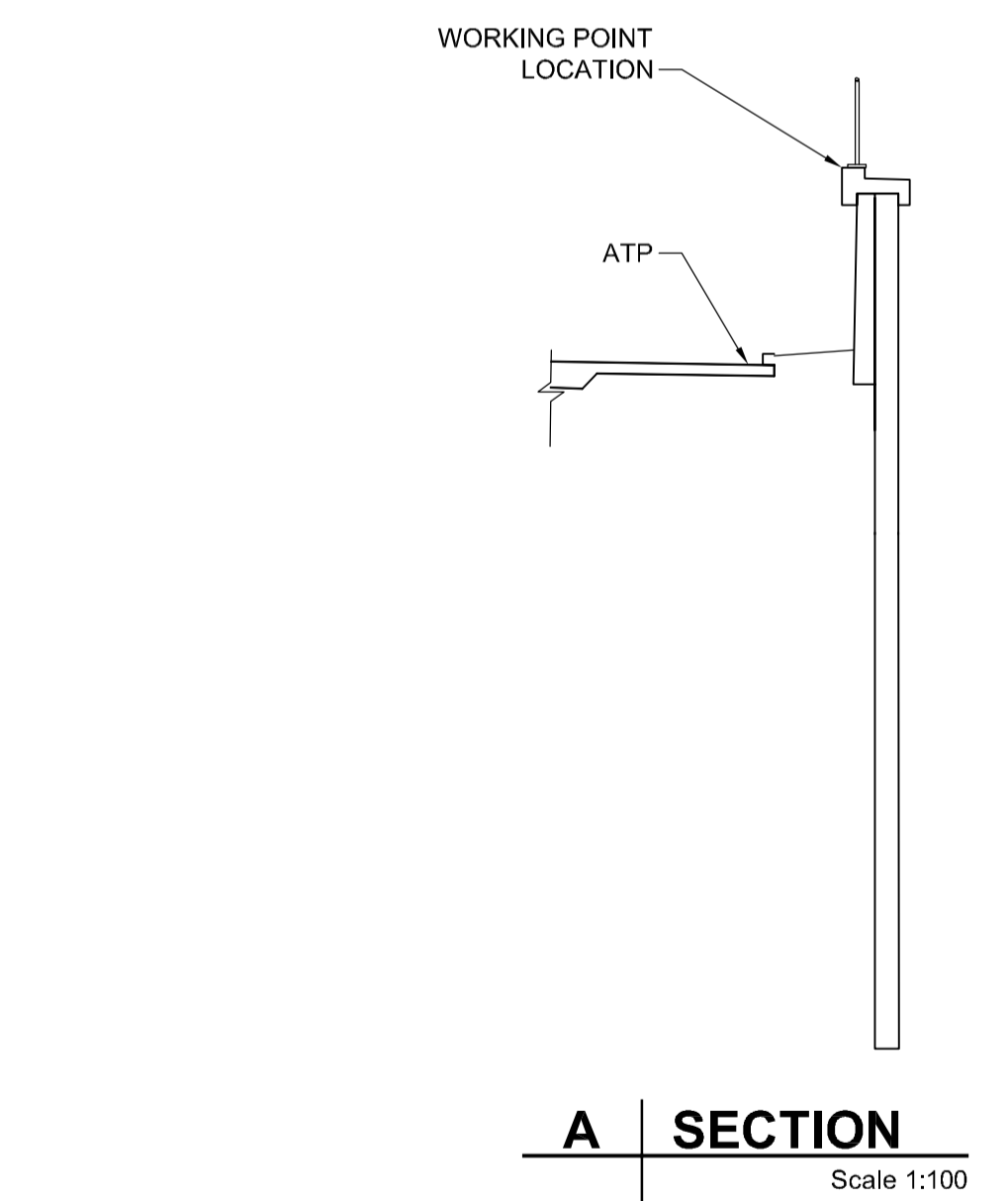


RETAINING WALL PLAN
Scale 1:100



RETAINING WALL ELEVATION
Scale 1:100



CHAIN LINK FENCE
• CHAIN LINK FENCE MATERIAL SHALL BE HOT DIPPED GALVANIZED TO CSA G164.
• ALL POST AND RAIL SHALL BE STANDARD PIPE CONFORMING TO ASTM A53.

WORKING POINT COORDINATES		
C.S.R.S. (NAD83) U.T.M. GRID		
WP	NORTHING	EASTING
WP27	5528007.318	641873.046
WP28	5528006.988	641860.374
WP29	5527975.113	641853.932
WP30	5527975.365	641863.611



LOCATION APPROVED UNDERGROUND STRUCTURES		B.M. ELEV.
SUPV. U/G STRUCTURES COMMITTEE	DATE	
NOTE: LOCATION OF UNDERGROUND STRUCTURES AS SHOWN ARE BASED ON THE BEST INFORMATION AVAILABLE, BUT NO GUARANTEE IS GIVEN THAT ALL EXISTING UTILITIES ARE SHOWN OR THAT THE GIVEN LOCATIONS ARE EXACT. CONFIRMATION OF EXISTENCE AND EXACT LOCATION OF ALL SERVICES MUST BE OBTAINED FROM THE INDIVIDUAL UTILITIES BEFORE PROCEEDING WITH CONSTRUCTION.		
NO.	REVISIONS	DATE BY
1	ISSUED FOR ADDENDUM	2014/01/06 DJH
0	ISSUED FOR TENDER	2013/11/21 KC

DESIGNED BY	FT	CHECKED BY	ZS
DRAWN BY	KC	APPROVED BY	EBL
HOR. SCALE:	AS NOTED	RELEASED FOR CONSTRUCTION BY:	
VERTICAL:	AS NOTED	DATE	2013-06-04

AECOM

ENGINEER'S SEAL
PROVINCE OF MANITOBA
ORIGINAL SIGNED BY
F. TABET
Member 38658
ON NOV 21, 2013
REGISTERED PROFESSIONAL ENGINEER

CONSULTANT DRAWING NO.
60273041-01-CS-506

THE CITY OF WINNIPEG PUBLIC WORKS DEPARTMENT

PLESSIS ROAD TWINNING AND GRADE SEPARATION AT CN REDDITT SUBDIVISION CONTRACT 3

CITY DRAWING NUMBER U238-2014-2028
SHEET 28 OF 37

UPPER EAST RETAINING WALL

CS-0028

BID OPPORTUNITY NO. 712-2013

AL - 841694
604-01-02
AECOMMOB_DEFAULT.CTP
P:\60273041\000-CADD\02-SHEETS\CS\60273041-01-CS-506.DWG