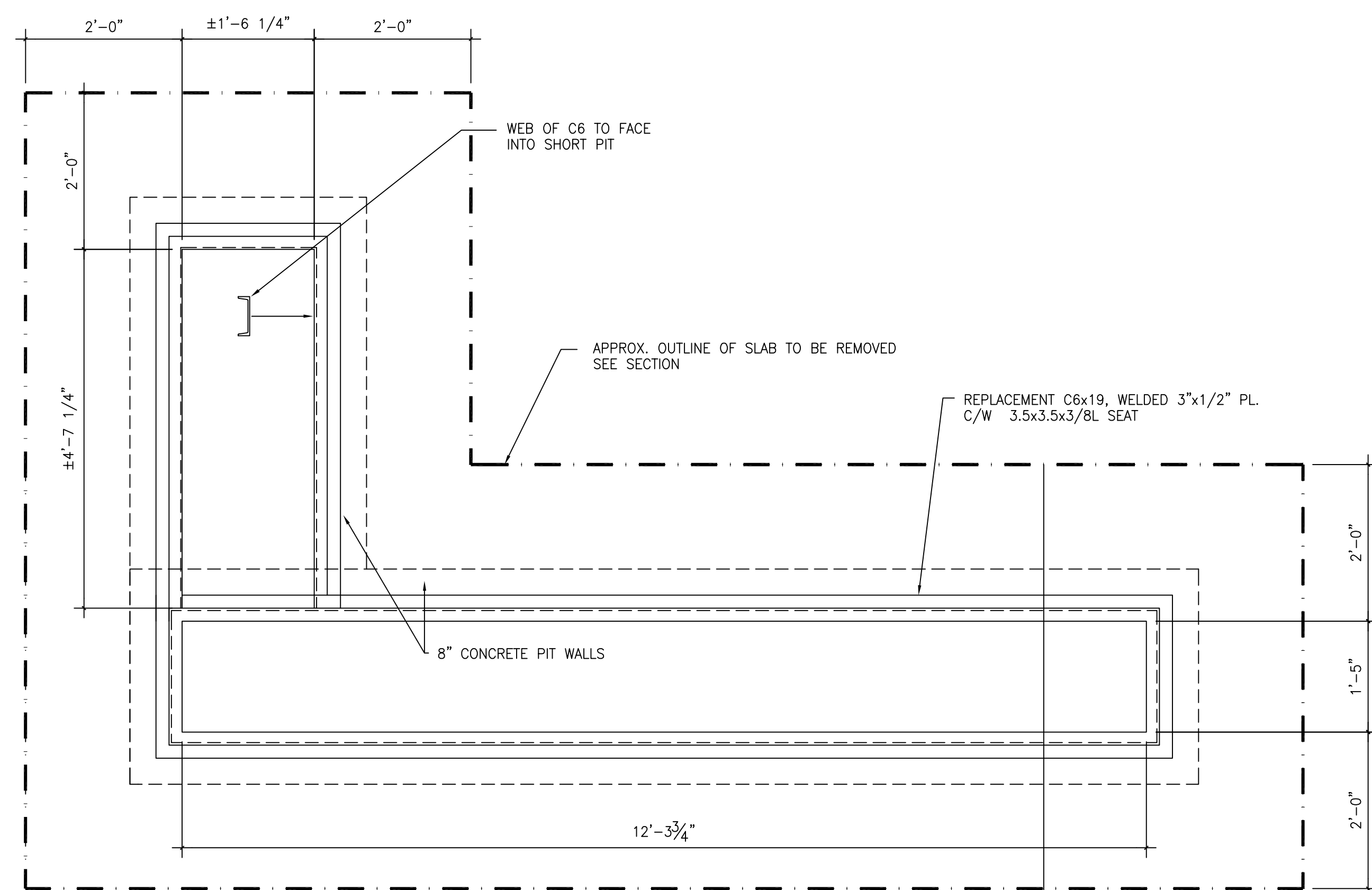


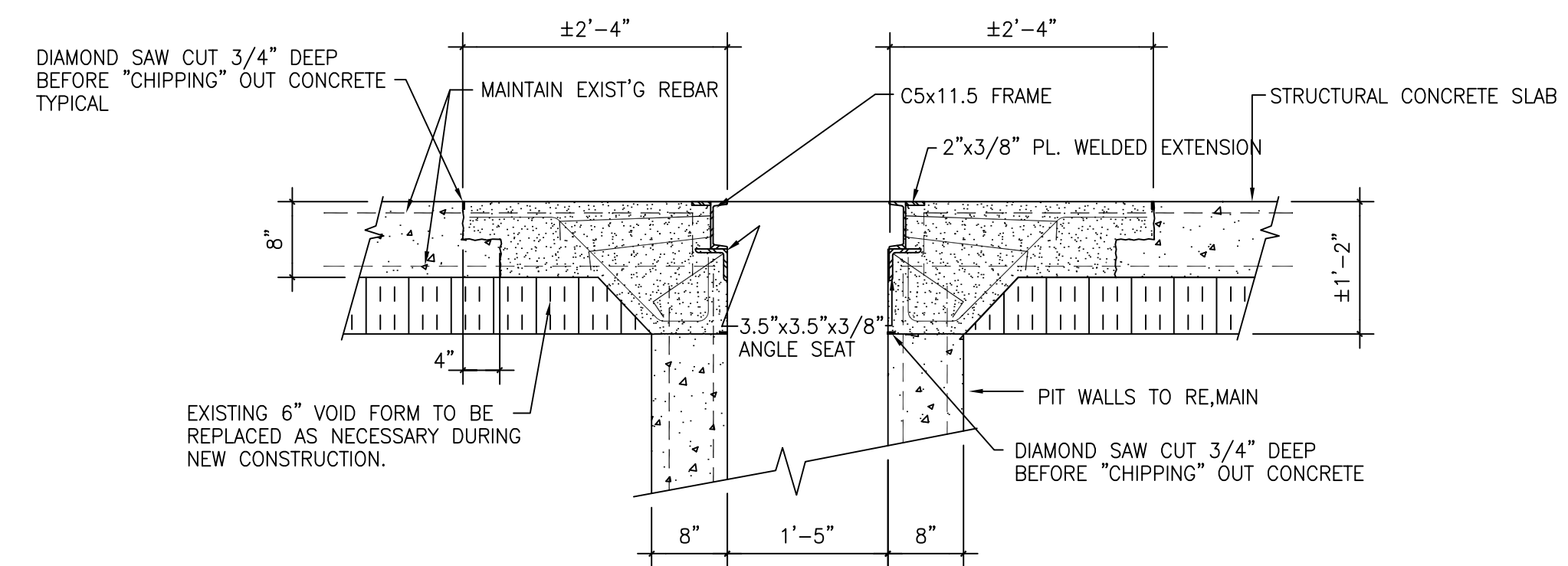
PLAN OF TYPICAL EXISTING PIT
Scale: 3/4" = 1'-0"

NOTE:
DIMENSIONS ARE APPROXIMATE ONLY. FINAL CONSTRUCTION REQUIREMENTS
SHALL BE CHECKED ON SITE & MATCH PREVIOUS SLAB REMOVAL DETAILS

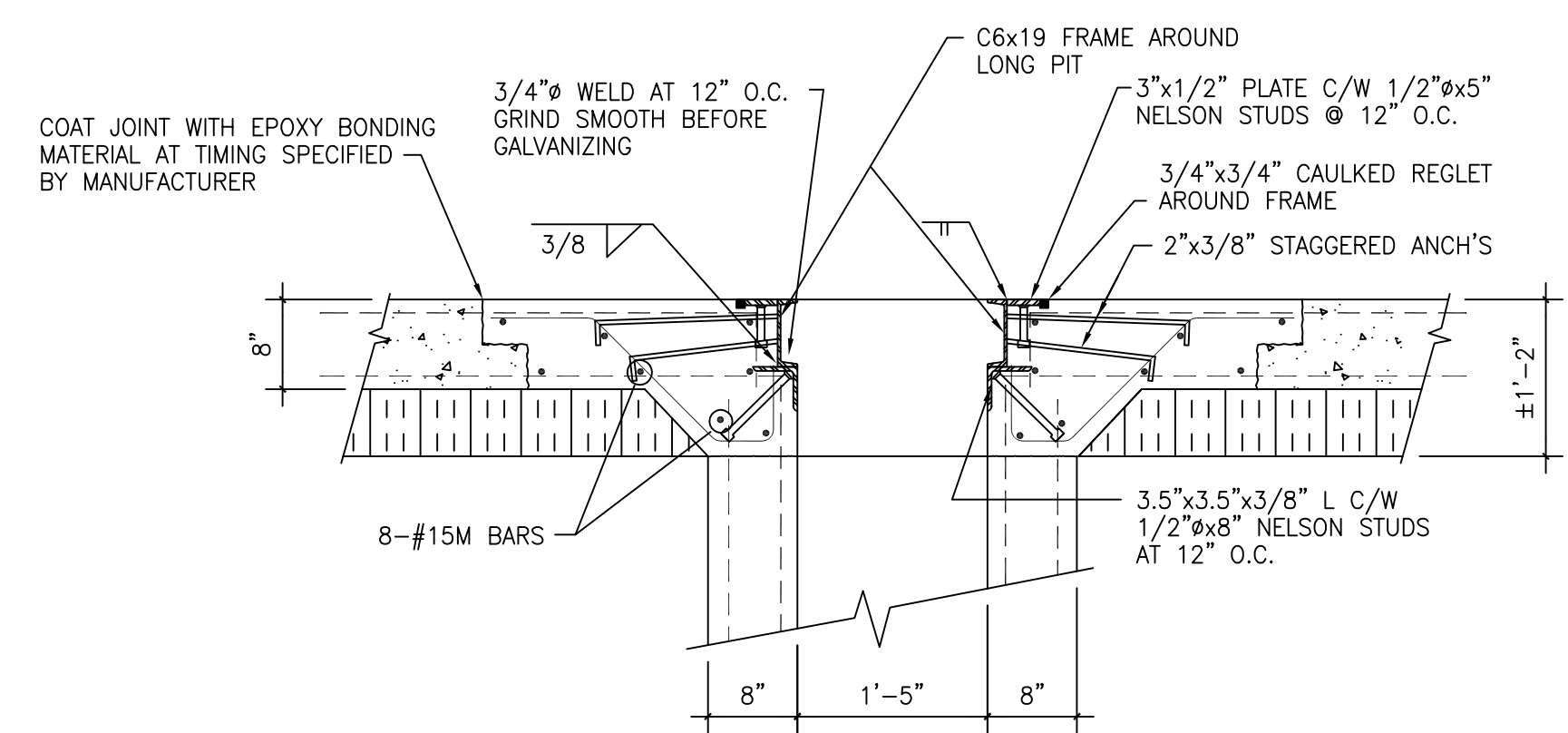


PLAN OF PROPOSED PIT
Scale: 3/4" = 1'-0"

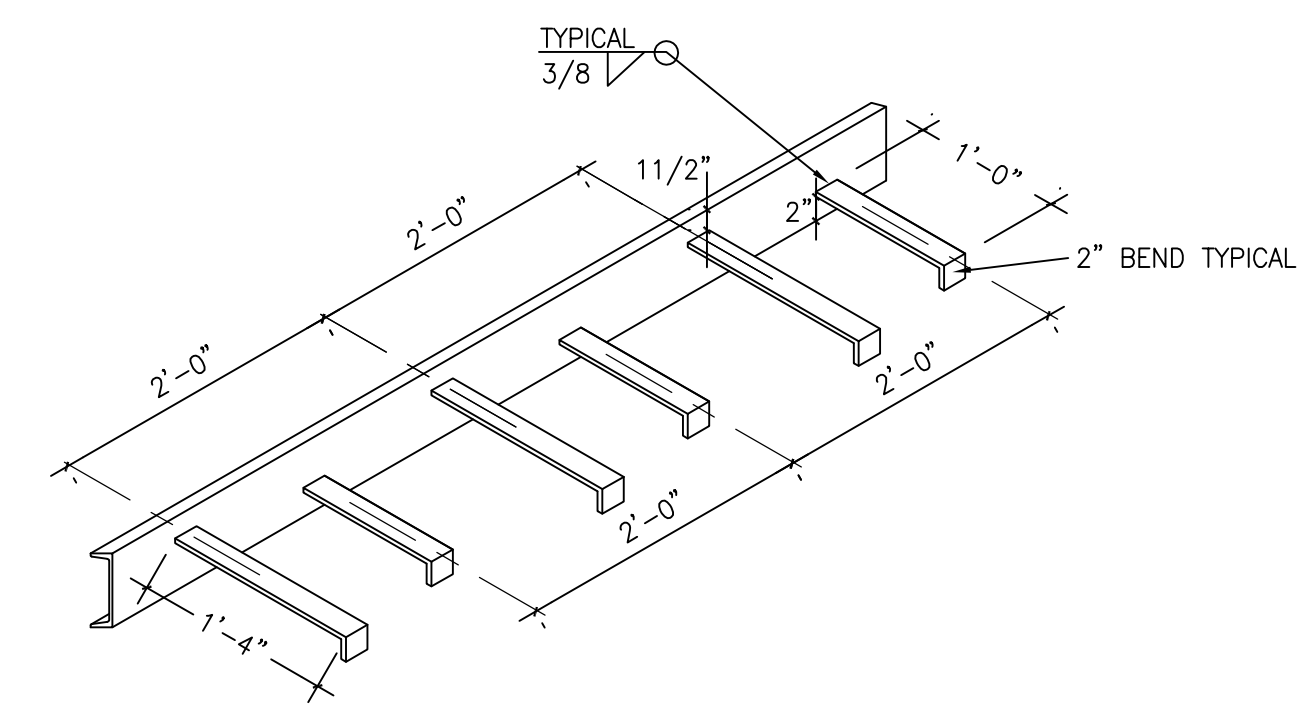
NOTE:
DIMENSIONS ARE APPROXIMATE ONLY. FINAL CONSTRUCTION REQUIREMENTS
SHALL BE CHECKED ON SITE & MATCH PREVIOUS SLAB REMOVAL DETAILS



SECTION
CROSS SECTION SHOWING EXISTING FRAMING TO BE REMOVED
Scale: 3/4" = 1'-0"



SECTION
CROSS SECTION SHOWING PROPOSED FRAMING
Scale: 3/4" = 1'-0"
NOTE: ALL STEEL MEMBERS & ANCHORS TO BE HOT DIP GALVANIZED



DETAILS OF TYPICAL FRAME ANCHORS

N.O.	DESCRIPTION	DATE	BY
A	DIMENSIONS ADDED	01/01/13	A.F.E.

REVISIONS (READ UP)

ALL DRAWINGS AND SPECIFICATIONS ARE THE PROPERTY OF THE ENGINEER.
NO REPRODUCTIONS MAY BE MADE WITHOUT THE CONSENT OF THE ENGINEER AND ALL REPRODUCTIONS MUST BEAR THE NAME OF THE ENGINEER.
THE GENERAL CONTRACTOR SHALL VERIFY ALL DIMENSIONS, DATUMS, AND LEVELS NOTED ON THE DRAWINGS WITH CONDITIONS ON SITE, AND SHALL BE RESPONSIBLE FOR REPORTING ANY ERRORS OR OMISSIONS TO THE ENGINEER FOR ADJUSTMENT.
THIS DRAWING SHALL NOT BE SCALED.

A. F. ESHMADE & ASSOCIATES LTD.
CIVIL & STRUCTURAL ENGINEERING CONSULTANTS
650 - 125 GARRY STREET WINNIPEG, MAN. R3C 3P2
TEL.(204) 942 0039 FAX. (204) 956 0264

CONSULTANT

ARCHITECT

ENGINEER

PROVINCE OF MANITOBA
A. F. ESHMADE
REGISTERED ENGINEER

PROJECT
CITY OF WINNIPEG TRANSIT
421 OSBORNE STREET
WINNIPEG, MANITOBA

SHEET TITLE
DETAILS OF PROPOSED
REPLACEMENT PIT FRAMES

DRAWN BY t.e.	DATE 02/11/12	SHEET NO. S-1A
CHECKED BY A.F.E.	FILE NO. 125.12	