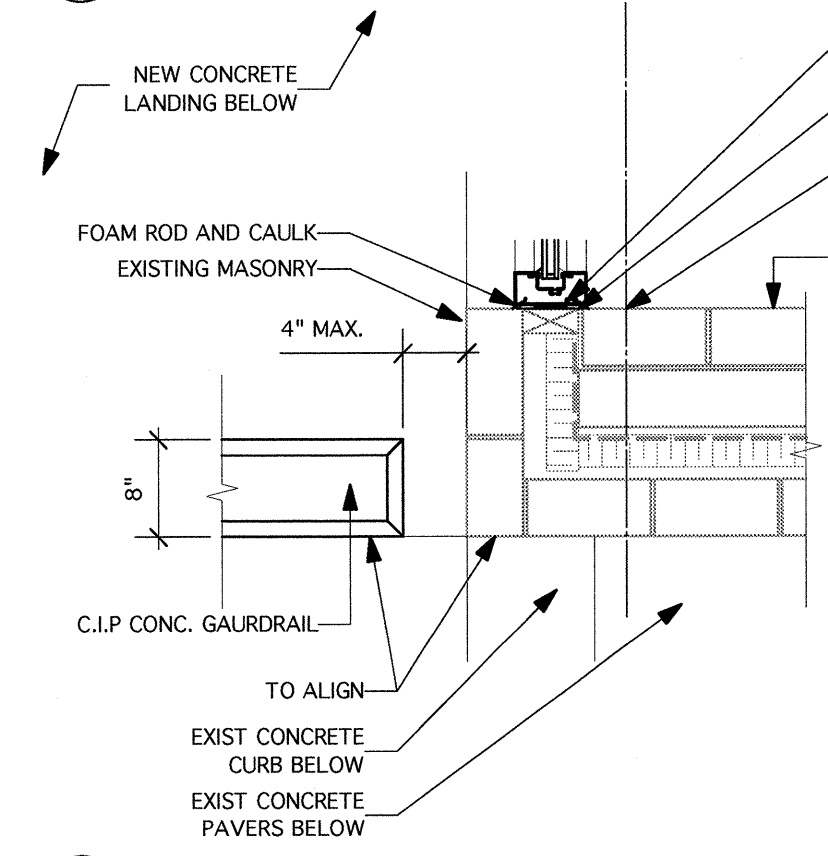
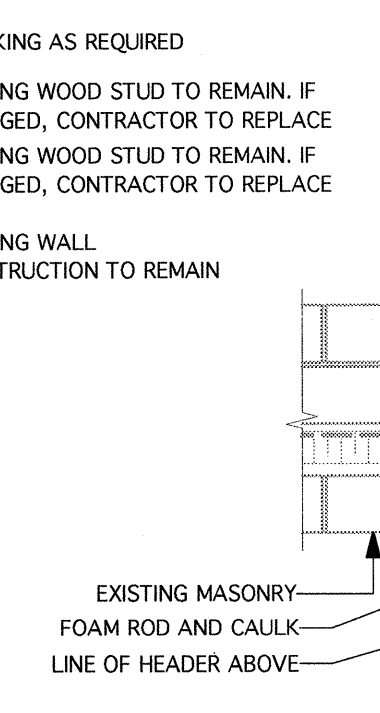


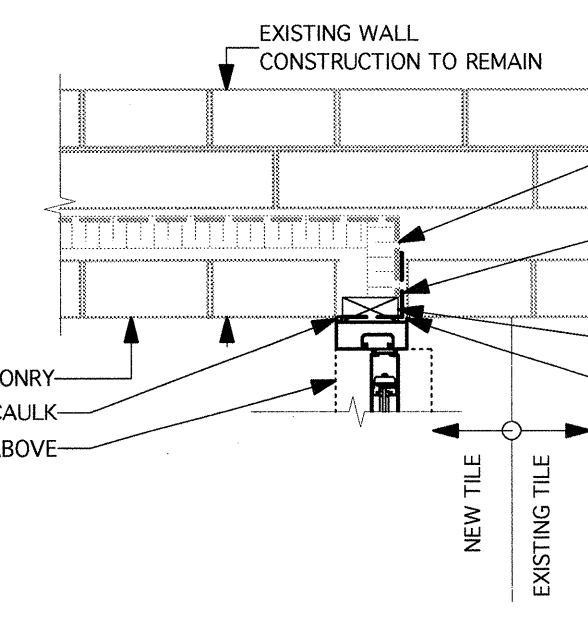
1 PLAN DETAIL
A1.4 Scale 1" = 1'-0"



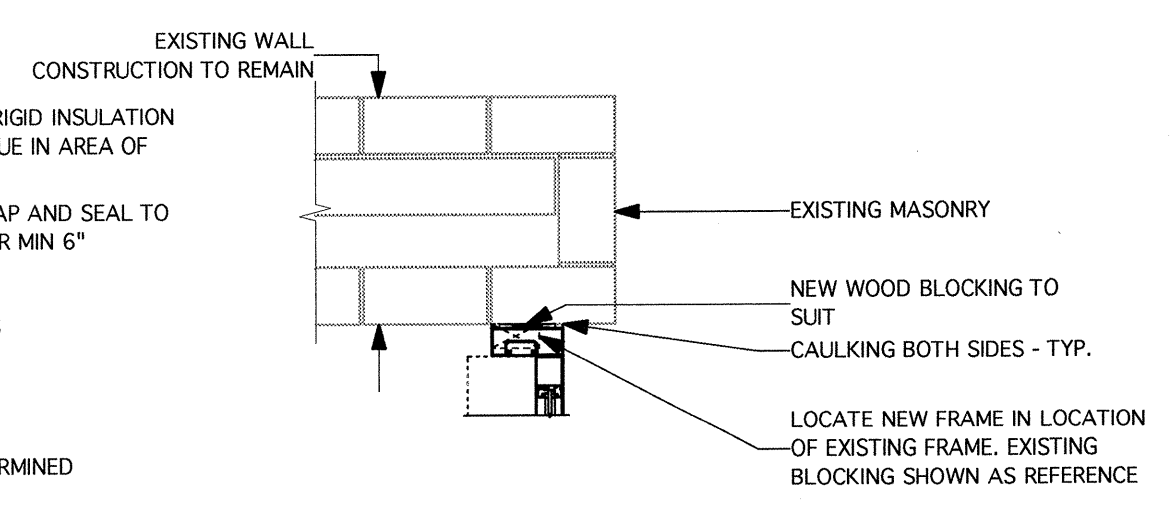
2 PLAN DETAIL
A1.4 Scale 1" = 1'-0"



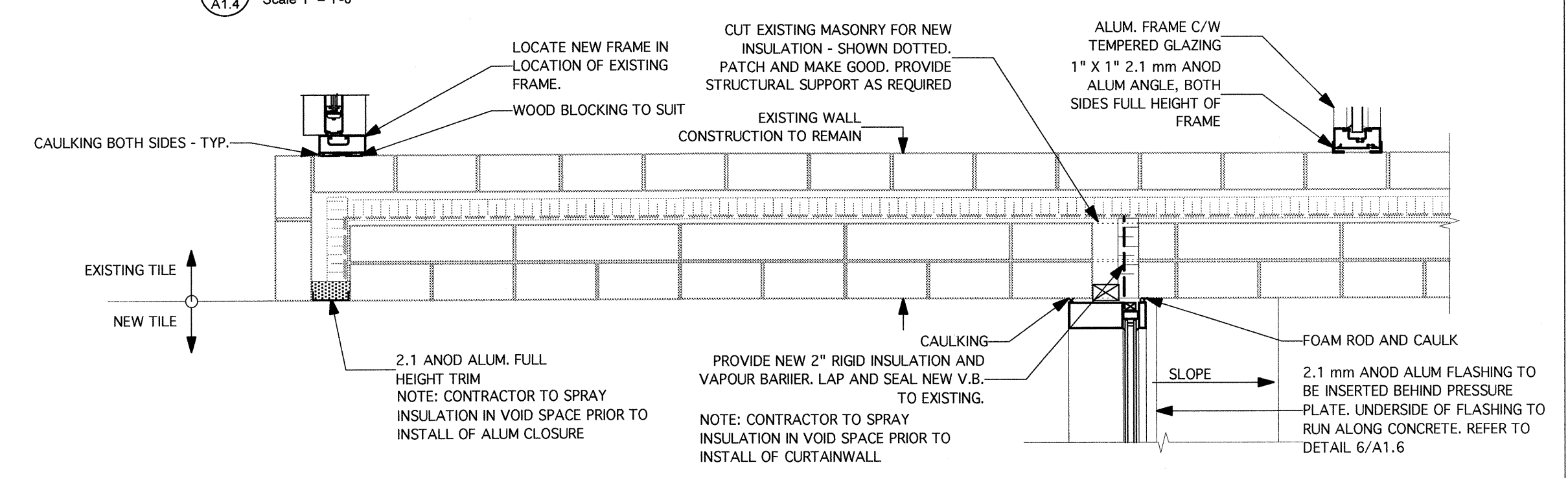
3 PLAN DETAIL
A1.4 Scale 1" = 1'-0"



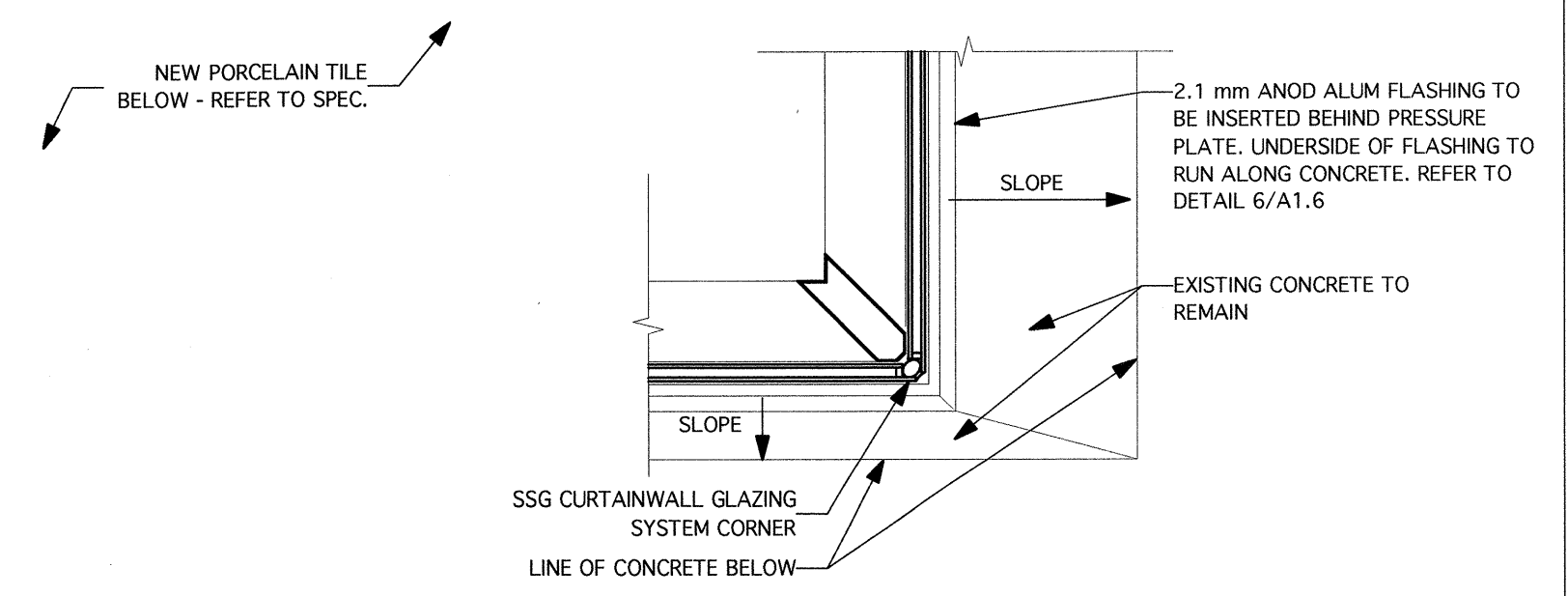
4 PLAN DETAIL
A1.4 Scale 1" = 1'-0"



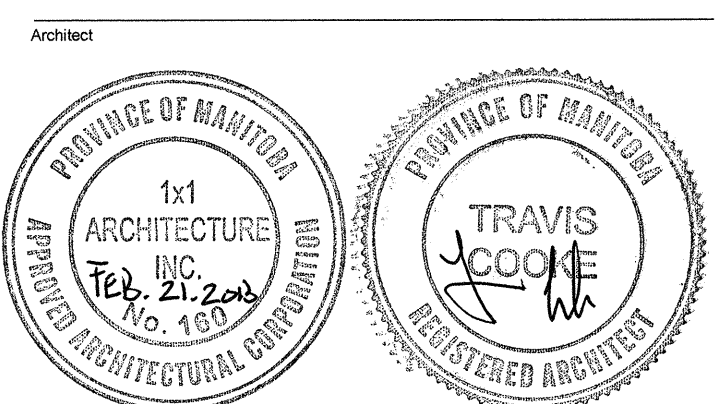
5 PLAN DETAIL
A1.4 Scale 1" = 1'-0"



6 PLAN DETAIL
A1.4 Scale 1" = 1'-0"



5	YY.MM.DD	-
4	YY.MM.DD	-
3	YY.MM.DD	-
2	YY.MM.DD	-
1	13. 01. 18	ISSUED FOR CONSTRUCTION
No.	DATE	REVISION / ISSUANCE



1x1 architecture inc.
100 First Street, Suite 03 Winnipeg, Manitoba R1C 1C7 204 318 2016

Project: BID OPPORTUNITY 931 - 2012
Seven Oaks Pool
Front Entrance Upgrades
444 ADSUM DRIVE

Sheet Title: PLAN DETAILS

Project No: 1125
Date: FEBRUARY 21, 2013

A1.4