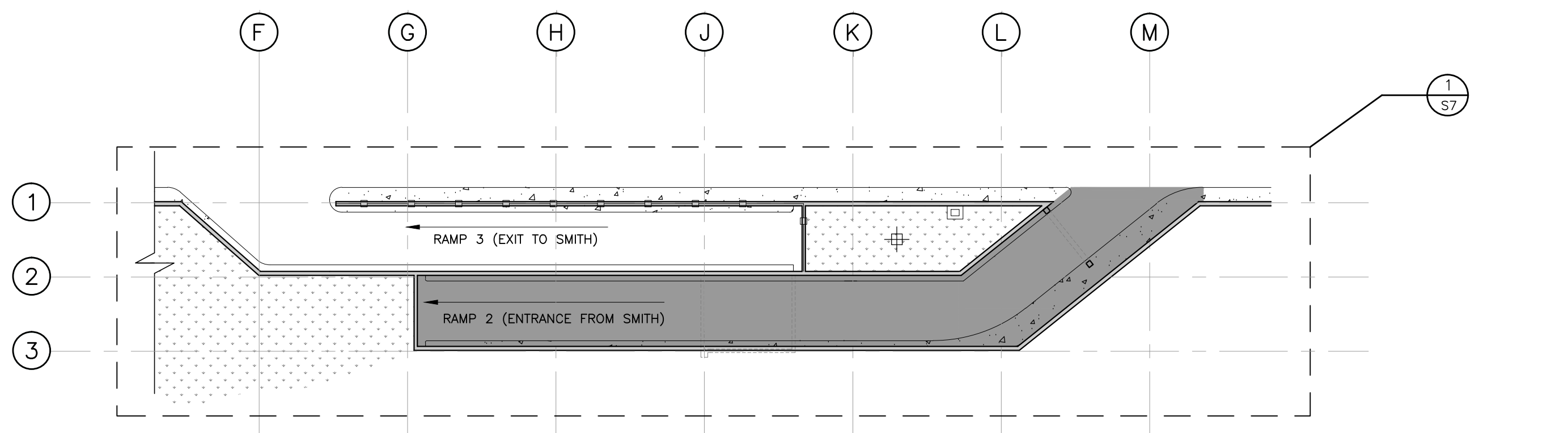
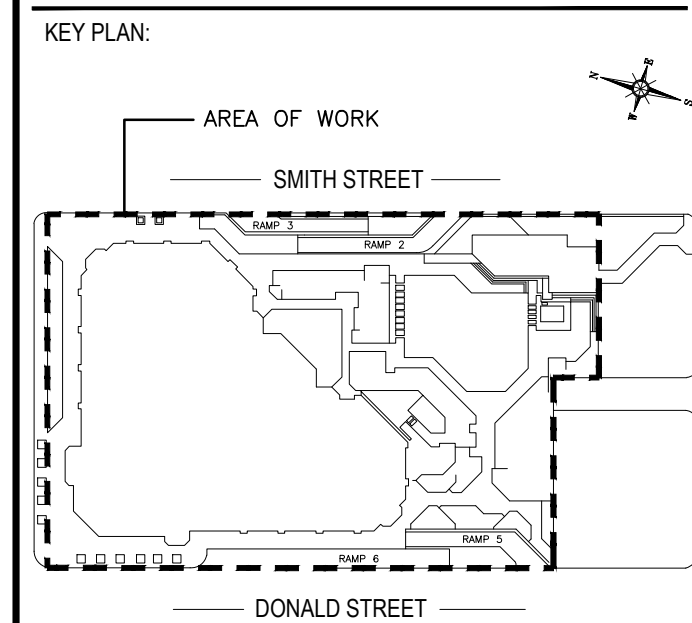


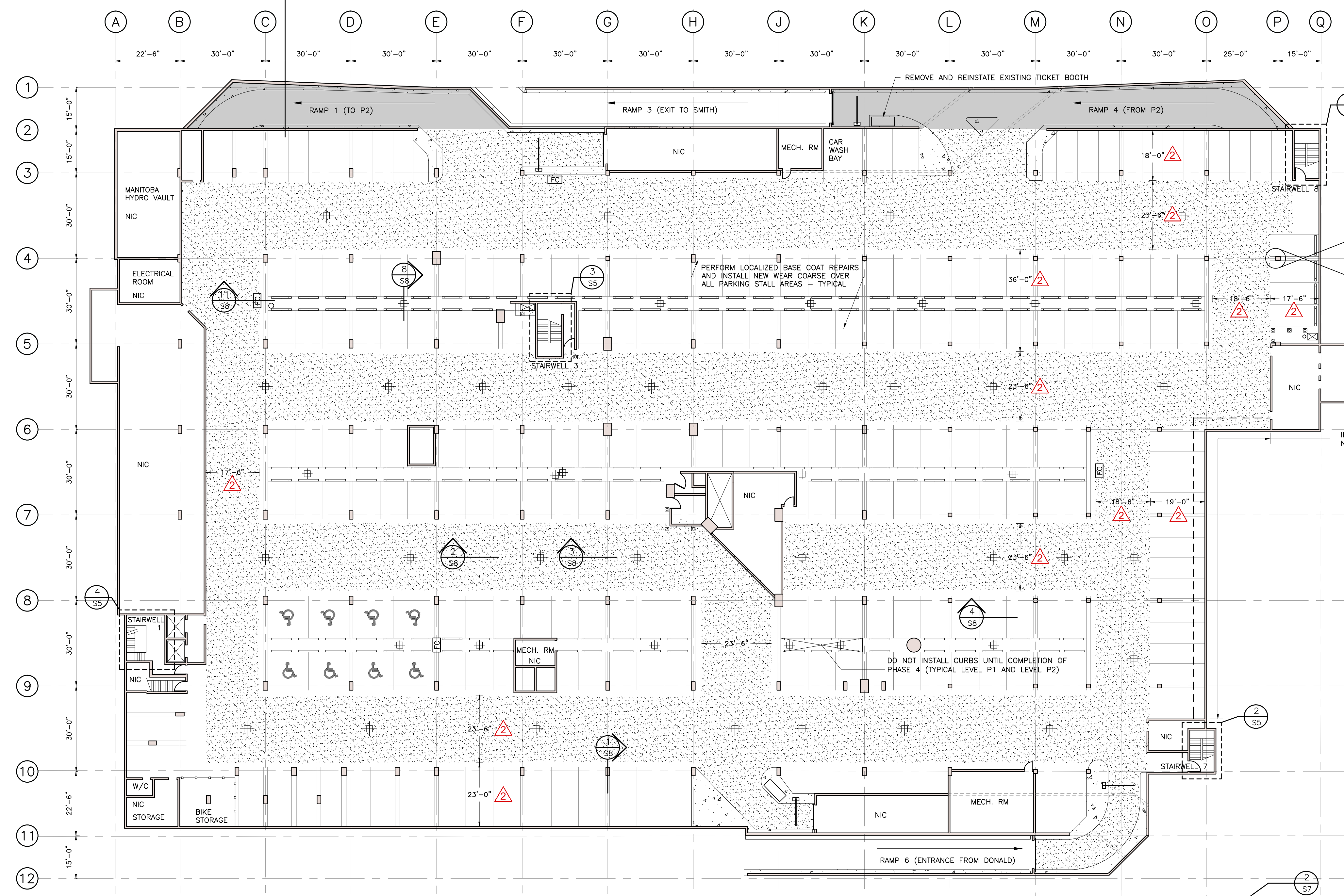
NO.	REVISION	DATE
1	ISSUED FOR COORDINATION	JULY 3, 2012
2	ISSUED FOR 66% REVIEW	SEPT 6, 2012
3	ISSUED FOR BID	NOV 7, 2012
4	ISSUED FOR ADDENDUM # 2	NOV 29, 2012
5		
6		
7		

NOTES:
 CONTRACTOR SHALL CHECK AND VERIFY ALL DIMENSIONS AND BE RESPONSIBLE FOR REPORTING ALL DISCREPANCIES TO CITY AND/OR CONTRACT ADMINISTRATOR PRIOR TO BID CLOSING

LATEST APPROVED DRAWINGS ONLY TO BE USED FOR CONSTRUCTION.
 PRINTS ARE NOT TO BE SCALED.

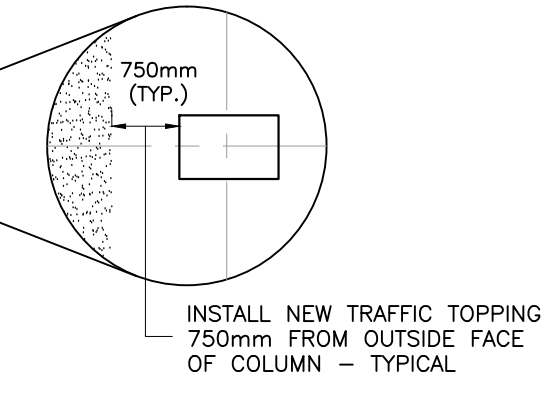


SMITH STREET LEVEL RAMP PLAN
 SCALE: 1/20"=1'-0"



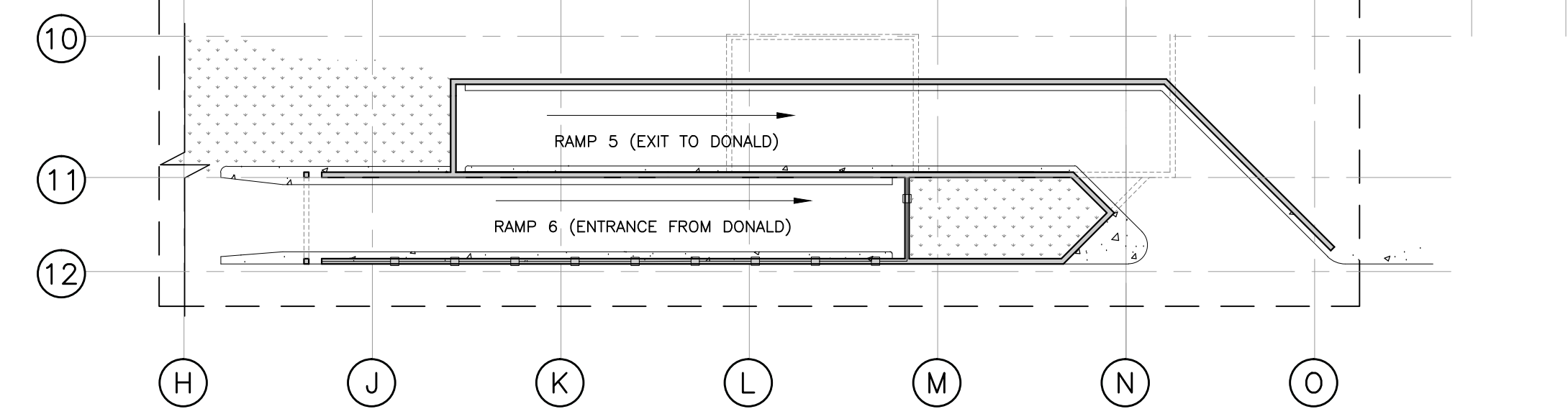
LEGEND:

- DRIVE AISLE TRAFFIC TOPPING. REMOVE EXISTING TRAFFIC TOPPING, INSTALL BASE COAT AND INSTALL THREE (3) APPLICATIONS OF WEAR COURSE. REFER TO SPEC FOR THICKNESS
- PARKING STALL TRAFFIC TOPPING. LOCALIZED BASE COAT REPAIRS AS DIRECTED BY CONTRACT ADMINISTRATOR (REFER TO UNIT RATES). INSTALL WEAR COURSE OVER BASE COAT AND EXISTING TRAFFIC TOPPING.
- P2 LEVEL SLAB ON GRADE REPLACEMENT
- NEW HEATED CONCRETE RAMP TOPPING
- FLOOR MOUNTED FIRE CABINET TO BE REMOVED AND RE-MOUNTED FROM CEILING
- NEW DRAIN AS DIRECTED BY CONTRACT ADMINISTRATOR
- EXISTING PIPE PENETRATIONS OF VARYING DIAMETER TO REMAIN
- EXISTING BOLLARD
- NEW CURB
- ACCESSIBLE PAINTED PAVEMENT MARKINGS
- NEW PAINTED PAVEMENT MARKINGS



INSTALL 4'-0" WIDTH OF BASE COAT. BASE COAT WILL NOT BE MEASURED FOR UNIT RATE PAYMENT

P1 LEVEL PLAN
 SCALE: 1/20"=1'-0"



DONALD STREET LEVEL RAMP PLAN
 SCALE: 1/20"=1'-0"

CONCENTRIC
 ASSOCIATES INTERNATIONAL INCORPORATED

LONDON Tel. 1-519-452-7700 Toll Free 1-866-919-4531
OTTAWA Tel. 1-613-824-8900 Toll Free 1-866-919-4530
IQUALUIT Tel. 1-867-979-3300 Toll Free 1-866-919-4533
SASKATOON Tel. 1-306-343-5500 Toll Free 1-866-919-8899
REGINA Tel. 1-306-520-6100 Toll Free 1-866-919-1861
WINNIPEG Tel. 1-204-783-1276 Toll Free 1-866-919-4531

YOU CHALLENGE US... TOGETHER WE SUCCEED
 www.concentriceng.com

CLIENT NAME:
 CITY OF WINNIPEG

PROJECT ADDRESS:
 251 DONALD STREET
 WINNIPEG, MANITOBA

PROJECT NAME:
 REHABILITATION OF MILLENNIUM LIBRARY PARKADE

DRAWING TITLE:
 P1 LEVEL REHAB

DESIGN: PSM SCALE: AS SHOWN
 DRAWN: JAW DATE: OCT/12
 APPVD: PSM/ADM FILE No: 11-4145

SHEET No.
S3