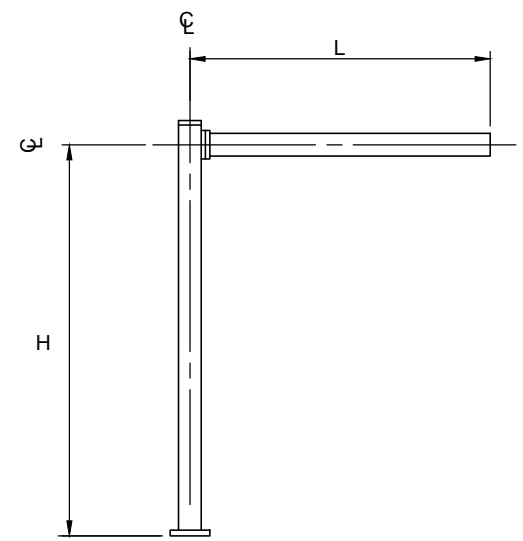
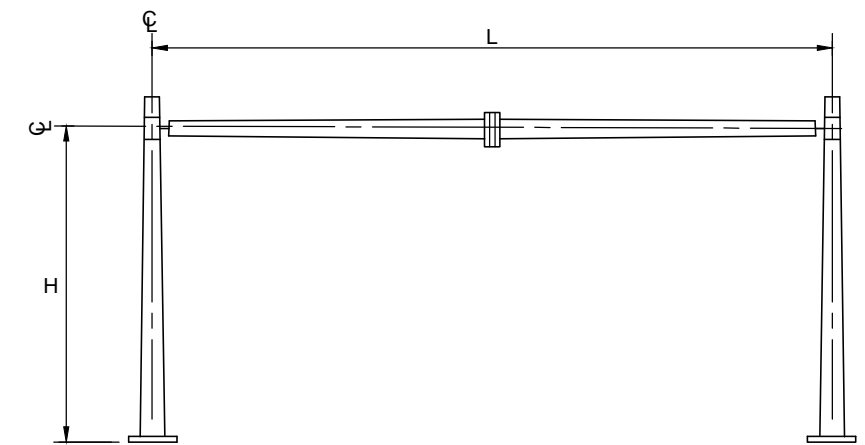


EXISTING STRUCTURE DATA						SIGN DATA		ANCHOR BOLT DATA			GENERAL DESCRIPTION OF PROPOSED WORK	ADJACENT PROPERTY
ITEM	STRUCTURE NO	LOCATION	TYPE	L	HT	NO.	TYPE	NO.	SIZE (MEAS)	BCD		
1	S501	ARCHIBALD ST. S/B NORTH OF FERMOR AVE.	1.1	13700	6000	2	PLATE	8	38	475	- ABANDON EXISTING CONCRETE FOUNDATION - CONSTRUCT NEW CONCRETE PILE FOUNDATION - SUPPLY AND INSTALL NEW TYPE 1.1 STRUCTURE	WEST BLVD. - GRASS
2	S644	CENTURY ST. N/B SOUTH OF BORDER STREET	2.1	22000±	6000±	2	PANEL	8	32	480	- REMOVE AND REFURBISH EXISTING TYPE 2.1 STRUCTURE - REMOVE AND STORE EXISTING SIGN PANELS - REFURBISH EXISTING CONCRETE PILES - REINSTALL REFURBISHED STRUCTURE - REINSTALL EXISTING SIGN PANELS USING REFURBISHED MOUNTING BRACKETS - SUPPLY AND DELIVER NEW MOUNTING BRACKETS TO CITY	EAST AND WEST BLVD. - GRASS



CANTILEVER STRUCTURE - STRAIGHT ARM
(TYPE 1.1)



SINGLE MONOTUBULAR - BRIDGE STRUCTURE
(TYPE 2.1)

METRIC
WHOLE NUMBERS INDICATE MILLIMETRES
DECIMALIZED NUMBERS INDICATE METRES



DESIGNED BY CDW					STEEL OVERHEAD SIGN SUPPORT STRUCTURES - 2012 MAINTENANCE WORKS	CITY DRAWING NUMBER OHSS-12-03
DRAWN BY JLD						SHEET 03 OF 07
CHECKED BY SSR						CONSULTANT PROJECT NO. 12-6533
APPROVED BY						DESCRIPTION OF WORKS
HOR. SCALE NTS		RELEASED FOR CONSTRUCTION	ORIGINAL SIGNED BY B.A. NEIRINCK	DATE 09/12/12	DATE 09/12/12	
VERTICAL SCALE NTS						
NO. REVISIONS		DATE	BY	DATE	09/12/12	