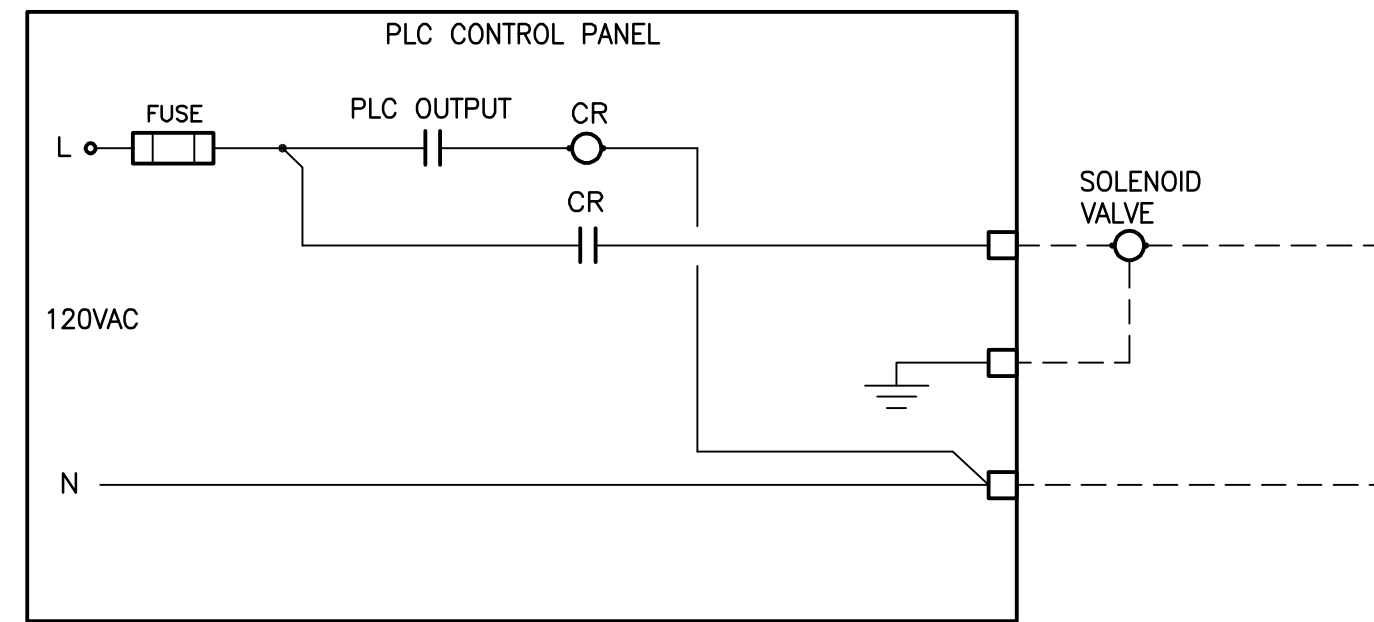
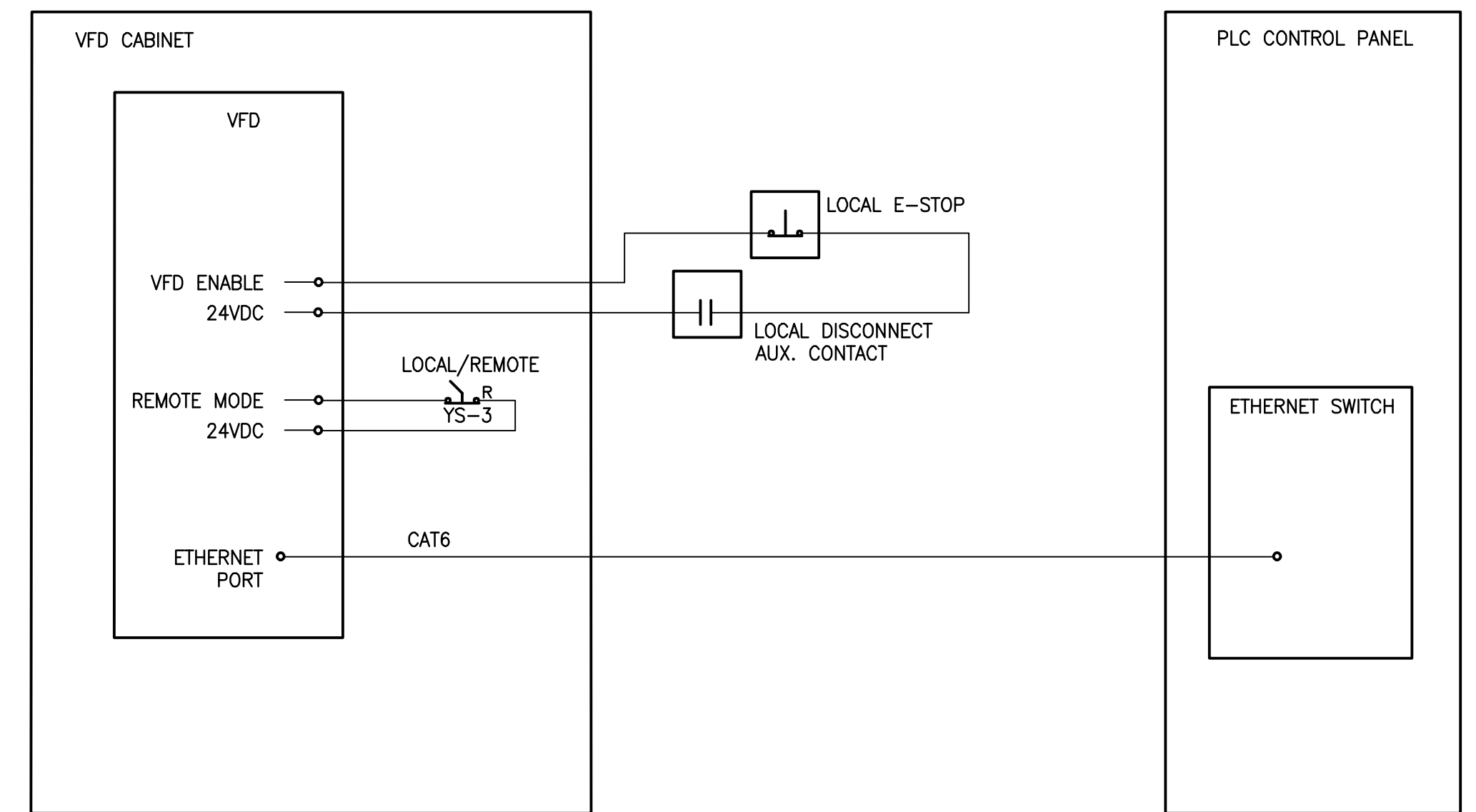


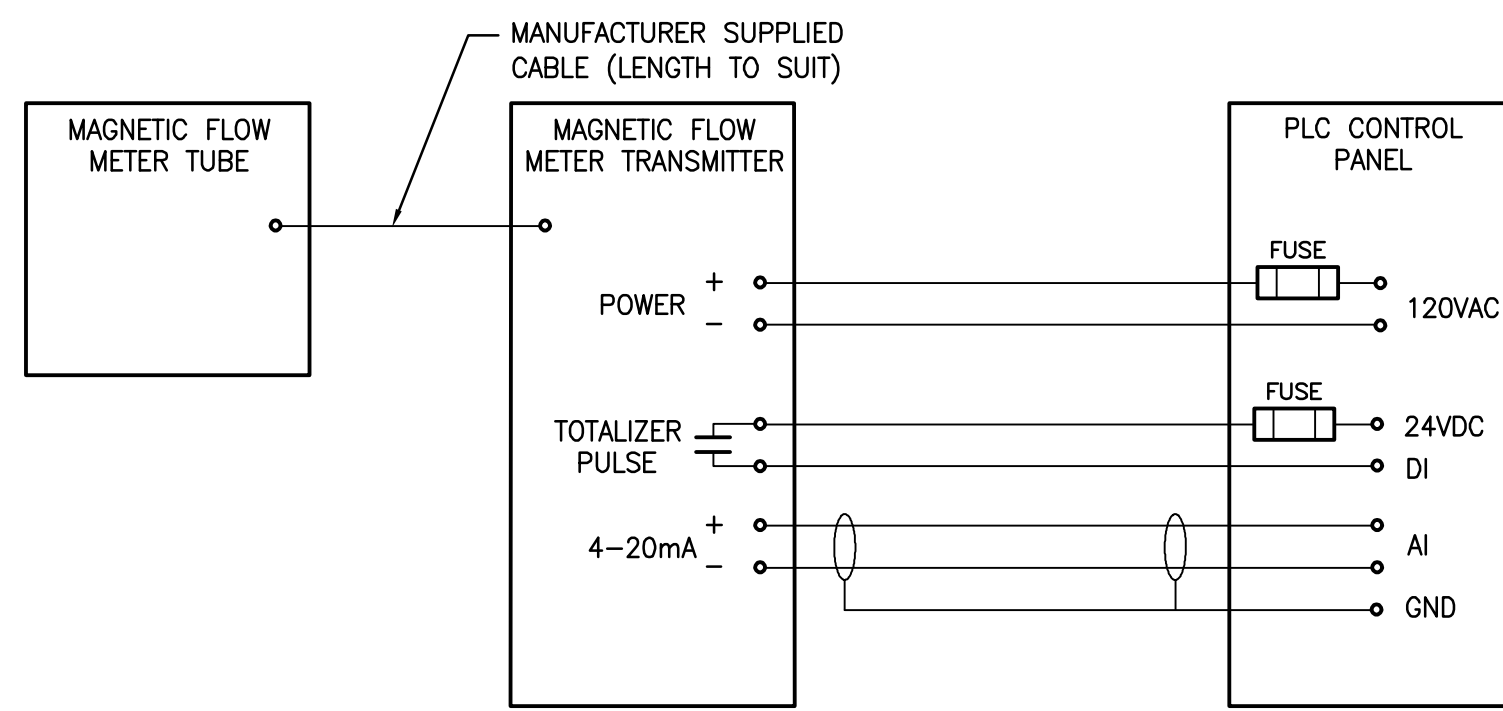
PRESSURE SENSOR WIRING DIAGRAM
(TYPICAL FOR D386-PIT)



SOLENOID VALVE WIRING DIAGRAM
(TYPICAL FOR D377-VX, D378-VX, D384-VX1, D384-VX2)

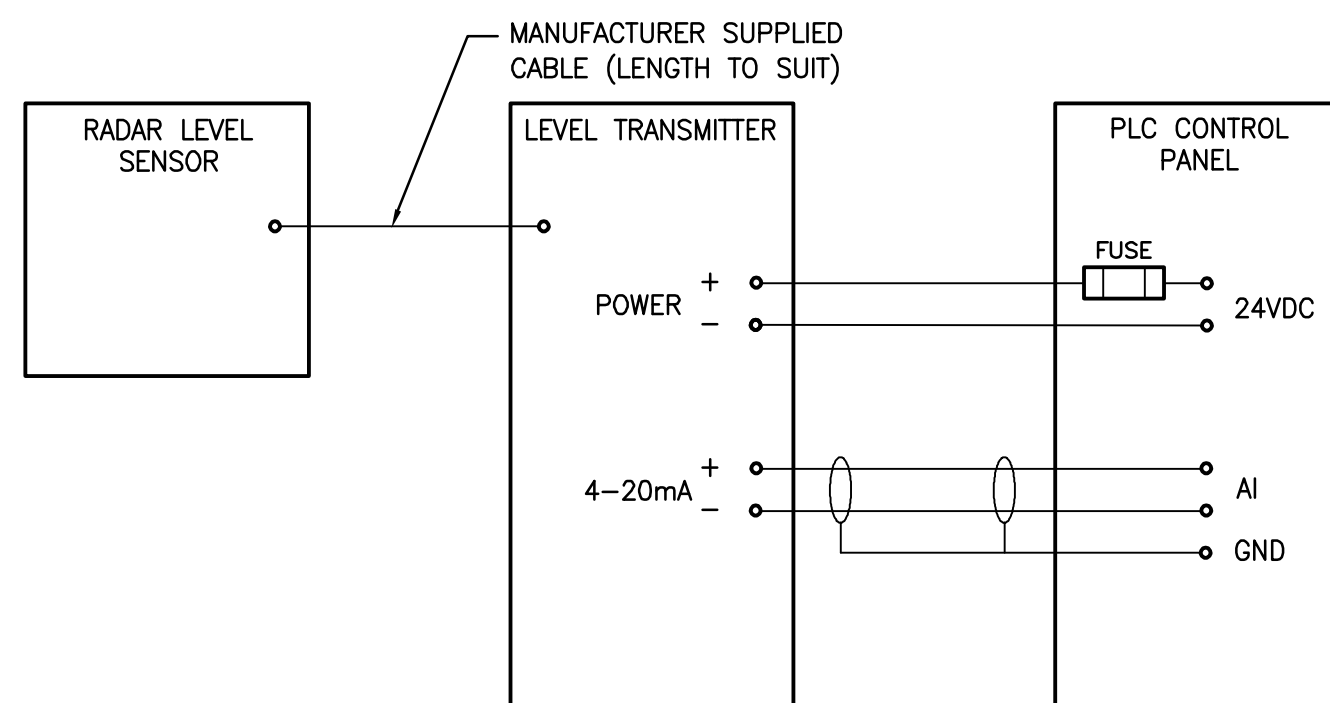


VARIABLE FREQUENCY DRIVE CONTROL WIRING DIAGRAM
(TYPICAL FOR D375-P, D376-P)

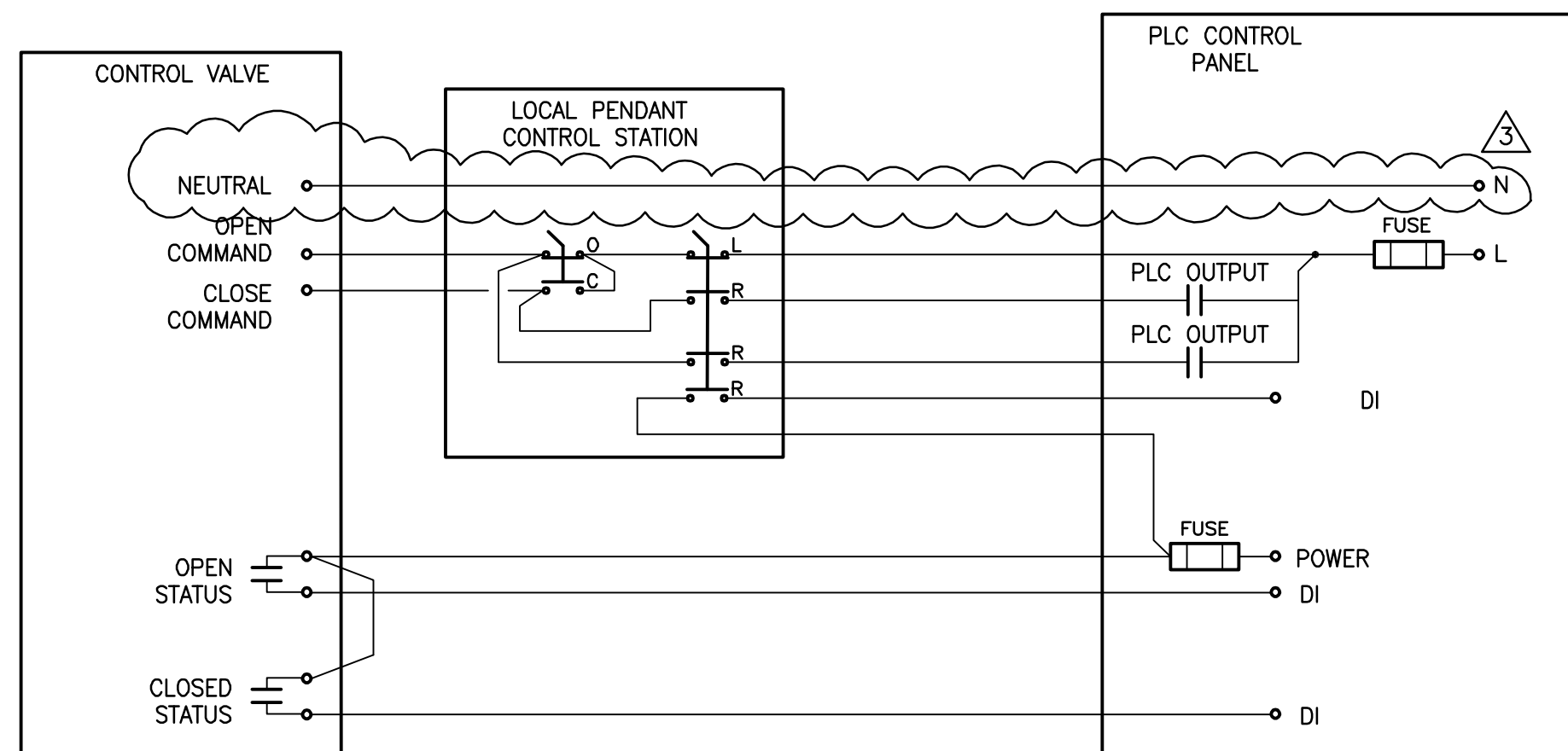


TRANSMITTER TO BE MOUNTED AT 1500mm FROM FLOOR LEVEL

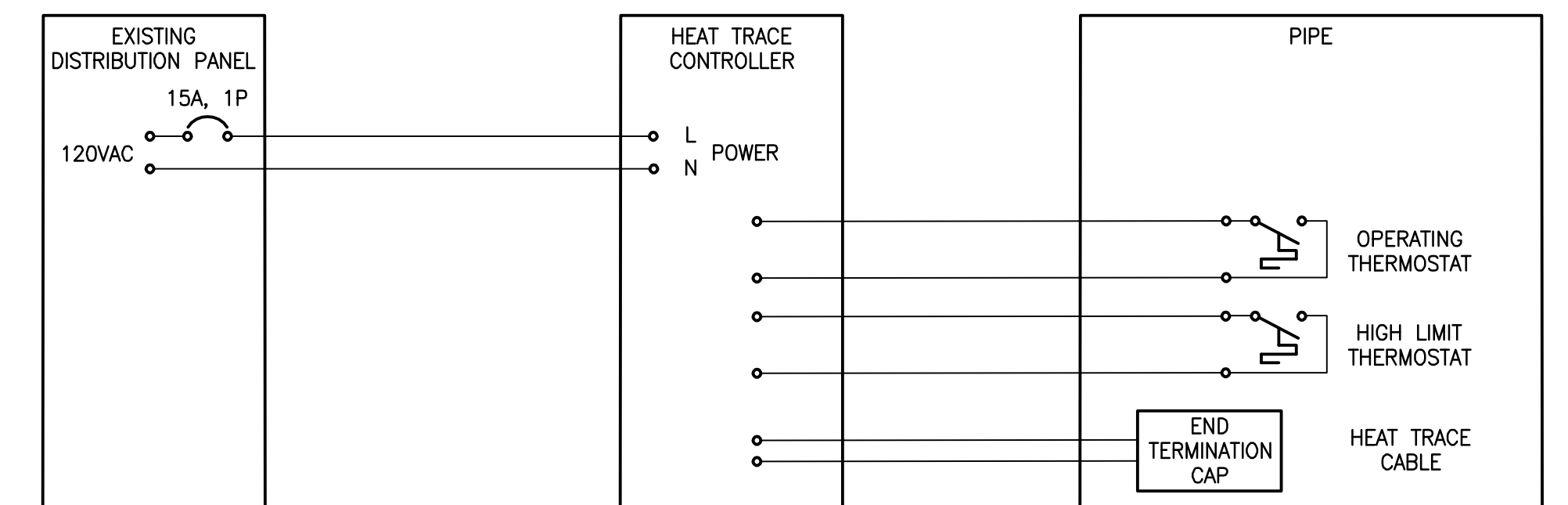
FLOW METER WIRING DIAGRAM
(TYPICAL FOR D382-FIT, D142-FIT)



RADAR LEVEL SENSOR WIRING DIAGRAM
(TYPICAL FOR D130-LIT)

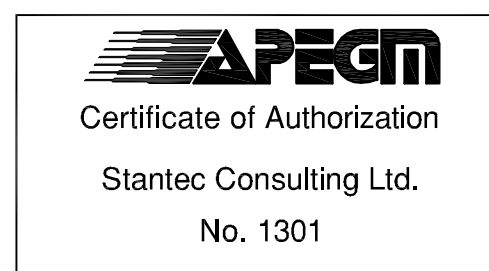


PNEUMATIC VALVE WIRING DIAGRAM
(TYPICAL FOR D379, D380)



TYPICAL HEAT TRACE CABLE WIRING DIAGRAM
(TYPICAL FOR HEAT TRACE CABLES 1,2)

METRIC
WHOLE NUMBERS INDICATE MILLIMETRES
DECIMALIZED NUMBERS INDICATE METRES



LOCATION APPROVED UNDERGROUND STRUCTURES
SUPV. U/G STRUCTURES COMMITTEE DATE
NOTE:
LOCATION OF UNDERGROUND STRUCTURES AS SHOWN ARE BASED ON THE BEST INFORMATION AVAILABLE BUT NO GUARANTEE IS GIVEN THAT ALL EXISTING UTILITIES ARE SHOWN OR THAT THE GIVEN LOCATIONS ARE EXACT. CONFIRMATION OF EXISTENCE AND EXACT LOCATION OF ALL SERVICES MUST BE OBTAINED FROM THE INDIVIDUAL UTILITIES BEFORE PROCEEDING WITH CONSTRUCTION.

B.M. ELEV.	NO.	REVISIONS	DATE	BY
	3.	ISSUED FOR ADDENDUM #2	12.11.15	D.K.G.
	2.	ISSUED FOR TENDER	12.11.01	D.K.G.
	1.	ISSUED FOR 60% REVIEW	12.07.25	D.K.G.

Stantec Consulting Ltd.
905 Waverley Street, Winnipeg, Manitoba
Tel 204-489-5900 Fax 204-453-9012

DESIGNED BY	B.S.J.	CHECKED BY	S.T.
DRAWN BY	D.K.G.	APPROVED BY	S.K.B.

HOR. SCALE: -
VERTICAL: -
RELEASED FOR CONSTRUCTION: -
DATE: 2012.01.23

ENGINEER'S SEAL
ORIGINAL SEALED BY
B.S. JANZ
P. ENG.
12/10/31

THE CITY OF WINNIPEG
WATER AND WASTE DEPARTMENT
Winnipeg
NORTH END WATER POLLUTION CONTROL CENTRE
REHABILITATION OF DIGESTER No. II, SLUDGE HOLDING TANKS
No. 5 AND No. 7
LOOP WIRING DIAGRAMS
CITY DRAWING NUMBER: I-OI0ID-E0013-001
SHEET 28 OF 29

V:\1172\work\117210202_MSP\PC Design\wiring\02_design\wiring\02_design\panel_01a.dwg
2012 November 15, 2:45 pm